

# AUTOMATIC SYSTEM

## SHARED SERVICE (SEPARATE METERING)

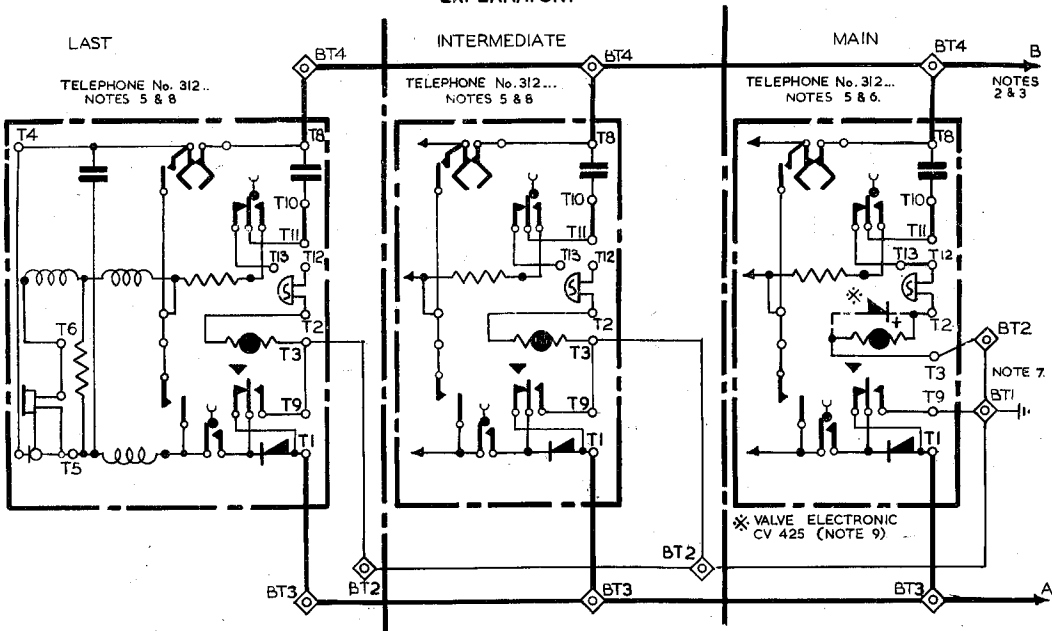
### SUBSCRIBER'S EXTENSION PLAN IB (INTERNAL ONLY)

USING TELEPHONES No. 312... AT ALL STATIONS

N 3923  
4 PANELS - 1

### EXPLANATORY

CIRCULATION	CB & AUTO
Suffix	F E
Amend.	12-6-63 12-7-58 12-3-55 D
PAPER	Y
SUPERSESSION NOTE TO ADDED, ALL PANELS MADE YELLOW NOTE 9 ADDED. PANEL 4 MADE YELLOW. PANEL 4 SWITCH DELETED.	



N3923

1 PANELS-2

GENERAL

1. FROM ONE TO SIX EXTENSIONS MAY BE FITTED IN ADDITION TO THE MAIN, IF MORE ECONOMICAL IN CABLE - BRANCHING RUN IN TWO DIRECTIONS FROM THE MAIN MAY BE ADOPTED THE FACILITIES AVAILABLE ON PLAN 1B ARE GIVEN ON DIAGRAM N1436.
2. THE CONNEXIONS SHOWN ARE FOR X SUBSCRIBERS FOR Y SUBSCRIBERS REVERSE A & B WIRES
3. THE EXCHANGE LINE AND EARTH MAY BE CONNECTED TO THE BLOCK TERMINAL AT AN EXTENSION IF THIS IS NEARER THE LEAD-IN POINT THAN THE MAIN.
4. PANEL 4 IS FOR MAINTENANCE PURPOSES ONLY AND SHOWS THE USE THROUGH-OUT OF TELE No 312... OF EARLY SUPPLY WHICH ARE FITTED WITH A CORD, INST. No 5/14B... AND BLOCK TERMINAL No 200B
5. FIT LABEL No 252Q ON EACH TELEPHONE

NOTES

MAIN

6. REPLACE CORD, INST. No. 3/62 B... BY CORD, INST. No 4/57B... REMOVE STRAP T3-T9, AND CONNECT STRAP BT1-BT2.
7. IF AN EXTENSION BELL IS REQUIRED REMOVE STRAP AND CONNECT BELL BETWEEN BT1 & BT2.

EXTENSIONS

8. ON EXTENSION TELEPHONES REMOVE STRAP T12-T13.

USE OF VALVE ELECTRONIC CV 425

9. IN UAX. AREAS WITH VIBRATOR RINGING A VALVE ELECTRONIC CV 425 SHOULD BE CONNECTED BETWEEN THE TERMINALS AS SHOWN AT THE MAIN.
10. PLAN 1A SHOULD BE PROVIDED FOR NEW WORK.

# AUTOMATIC SYSTEM

## SHARED SERVICE (SEPARATE METERING)

### SUBSCRIBER'S EXTENSION PLAN IB (INTERNAL ONLY)

#### USING TELEPHONES No.312... AT ALL STATIONS

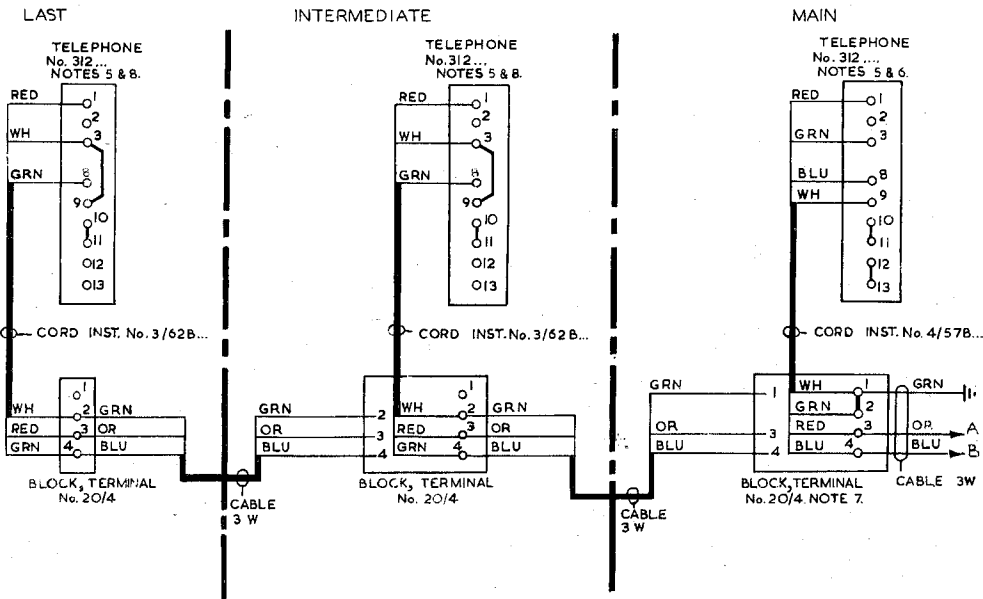
#### WIRING

N3923  
4 PANELS - 3  
15-9-50

CB & AU1

SUPPRESSION NOTE 10 ADDED, ALL PANELS 13, 6, 63, F  
 MADE YELLOW. 12-2-58 E  
 NOTE 9 ADDED, PANEL 4 MADE YELLOW. 12-3-55 D  
 PANEL 4 SWITCH DELETED.

Y



NOTES  
2 & 3

**AUTOMATIC SYSTEM**  
 SHARED SERVICE (SEPARATE METERING)  
 SUBSCRIBER'S EXTENSION PLAN IB (INTERNAL ONLY)  
 USING TELEPHONES No.312... OF EARLY SUPPLY (NOTE 4)

N 3923  
 4 PANELS-4

**EXPLANATORY**

