

AUTOMATIC SYSTEM

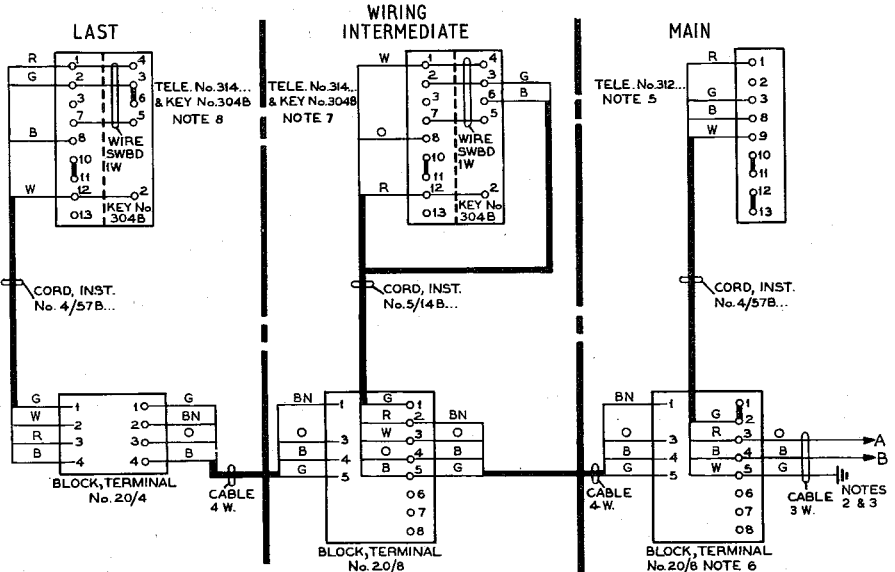
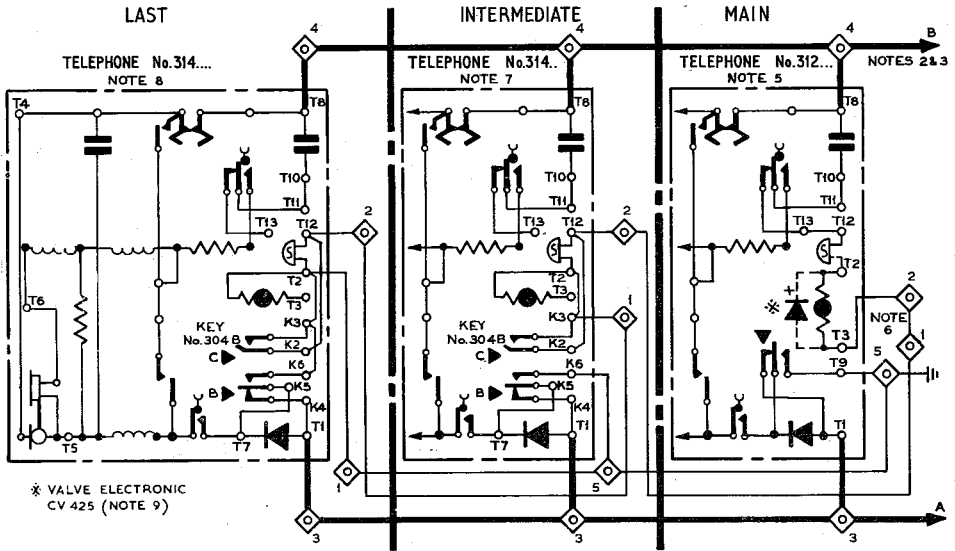
N3922

SHARED SERVICE (SEPARATE METERING) SUBSCRIBER'S
 EXTENSION PLAN 1A (INTERNAL ONLY) USING AT MAIN,
 TELE No.312...AND AT EXTNS. TELES. No.314...WITH KEYS No.304B.

PAGE 1-3

ISSUE D

SUPERSEDED FOR
 NEW WORK N3852



Post Office
 Telecomms.
 Headquarters
 Mk 1. 2. 2. 3.

Paper W
 Circulation
CB & AUTO.

ISSUES			
	D	New format. <i>rel.</i>	19-8-58
	C	Notes amended, panel 4 made yellow.	19-11-58
		C.J.C. - SI	30-10-50

NOTES

GENERAL

1. The facilities given by Plan 1A are shown on diagram N1425. When one extension only is required, wire as shown for last extension.
2. The connexions shown are for 'X' subscribers. For 'Y' subscribers reverse the A & B wires on BT3 & BT4.
3. The Exchange Line and Earth may be connected to the Block Terminal at an extension if this is nearer the lead in point than the main.
4. Page 3 is for maintenance purposes only and shows the use throughout of Telephones No.312...of early supply which are fitted with a Cord, Inst. No.5/14B and Block Terminal No.20/8.

MAIN

5. Replace Cord, Inst. No.3/62B...and Block Terminal No.20/4 by Cord, Inst. No.4/57B... and Block Terminal No.20/8...connect strap BT1-BT2 and disconnect strap T3-T9. Fit label No.252Q on telephone.
6. If an extension bell is required connect Bell No.64...in place of strap BT1-BT2.

INTERMEDIATE EXTENSION

7. Fit Cord, Inst. No.5/14B... and Block Terminal No.20/8 and disconnect strap T12-T13. Fit Key No.304B with 3 parts No.1/SPL/325 (Plungers) set Latch Bracket control plate as shown on Dgm. N4301 Fig.6. Add connexions between K4-T1; K3-T2; K5-T7 and K2-T12. Fit label No.252W on telephone.

LAST EXTENSION

8. Fit Cord, Inst. No.4/57B and Block Terminal No.20/4 and disconnect strap T12-T13. Fit Key No.304B with 3 parts No.1/SPL/325 (Plungers) set Latch Bracket control plate as shown on Dgm. N4301 Fig.6. Add connexions between K4-T1; K6-K3-T2; K5-T7; and K2-T12. Fit label No.252W on telephone.

USE OF VALVE ELECTRONIC CV425.

9. In U.A.X. areas with vibrator ringing a Valve Electronic CV425 should be connected between the terminals as shown at the main.

