

**AUTOMATIC SYSTEM**  
**SHARED SERVICE (SEPARATE METERING)**  
**SUBSCRIBER'S EXTENSION PLANS 7 & 7A (INTERNAL)**  
 NOTES

**N3858**  
 4 PANELS-1  
 28-1-53  
 SUPERSEDED  
 FOR NEW WORK  
 BY N3927

REGULATION	CB & AUTO	Suffix	20-USE A	NOTE	WAS 5 PANELS SUPPRESSION AMENDED, MADE YELLOW.	Amend.	PAPER Y
------------	-----------	--------	----------	------	--	--------	------------

1. THIS DIAGRAM SHOWS PLANS 7 & 7A WITH INTERNAL EXTENSION ONLY. PLANS 7 & 7A WITH EXTERNAL EXTENSION ARE NOT NORMALLY PROVIDED. THE FACILITIES OF PLANS 7 & 7A ARE GIVEN ON DGM. N1429.
2. THE CONNEXIONS SHOWN ARE FOR X SUBSCRIBERS. FOR Y SUBSCRIBERS REVERSE THE A & B WIRES ON BT2 & BT4 AT THE MAIN.
3. IN DAMP SITUATIONS A SINGLE 4-PAIR LEAD-COVERED CABLE MAY BE USED INSTEAD OF TWO SMALLER CABLES. WIRE COLOURS FOR THE 4 PAIR CABLE TERMINATIONS ARE SHOWN IN BRACKETS THUS (BLU). (W/BLU) SIGNIFIES WHITE OF BLUE.

**MAIN**

4. CONNECT STRAP BT1-BT6.
5. REMOVE DUMMY PLATES COVERING PRESS-BUTTONS OF BELL-SET No. 39C & SCREW THE PLATES TO THE MOUNTING BRACKET OF FILTER, SUPPRESSION No. 6A IN THE BELL-SET. REMOVE PLUNGERS FROM PRESS-BUTTON SPRINGS & FIT IN THE CONICAL GUIDES PROVIDED.
6. DISCONNECT STRAP T3-T4 IN TELEPHONE No. 248...
7. IN EARLY TELEPHONES No. 248... THE CONNEXIONS TO T6 & T8 WERE REVERSED. THE EARLY TERMINAL NUMBER IS SHOWN IN BRACKETS.
8. CONNECT STRAP B4-B8 & DISCONNECT STRAP B8-B9 IN BELL-SET No. 41. THE STRAPS B1-B5 & B2-B4 EXIST IN THE PERMANENT WIRING OF THE BELL-SET.

9. IF AN EXTENSION BELL IS REQUIRED CONNECT BELL No. 64... IN PLACE OF STRAP BETWEEN B4 & B8 IN BELL-SET No. 41. USE CABLE 1PR/10 OR 12 $\frac{1}{2}$  AND CONNECT TO BELL TERMINALS 1 & 4 WITH 2 & 3 STRAPPED.
10. THE DIAGRAM SHOWS CONNEXIONS FOR PLAN 7. FOR PLAN 7A DISCONNECT STRAPS B1-B2, B3-B4, B20-B21 & B23-B24. CONNECT STRAPS B21-B22 AND B24-B25.

**EXTENSION**

11. CONNECT STRAP BT5-BT7.
12. CONNECT BELL No. 56 D WITH COILS IN PARALLEL.
13. IN LIEU OF AN EXTENSION BELL USE MAY BE MADE OF THE BELL IN EXISTING BELL-SET No. 41 BY DISCONNECTING STRAP B8-B9 AND SITING BELL-SET APPROPRIATELY.
14. FIT LABEL No. 252 Q TO TELEPHONE No. 310...

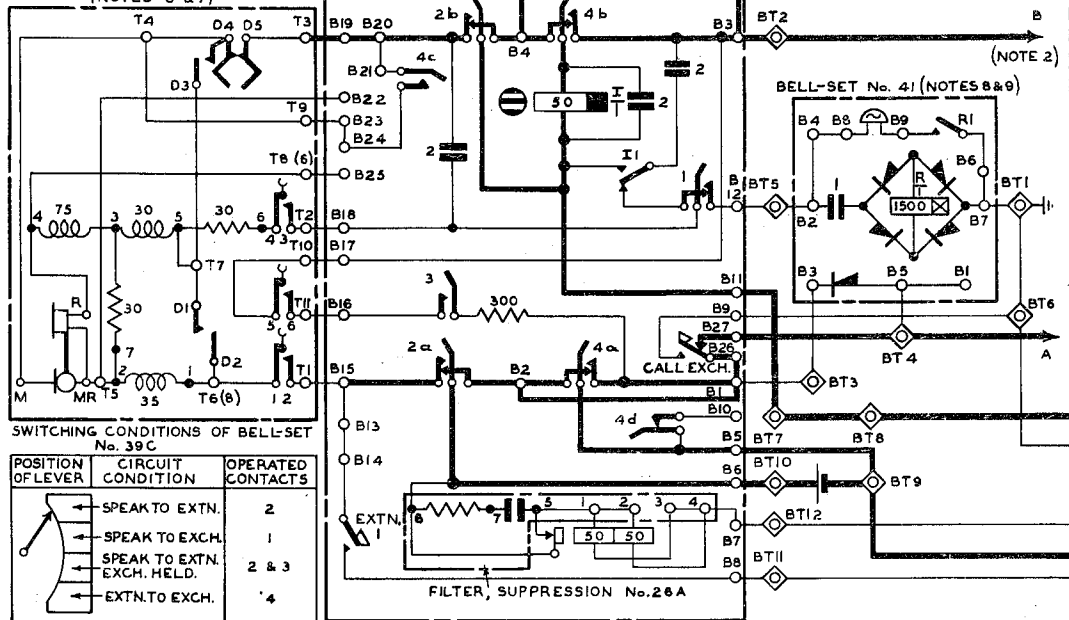
# N 3858

4 PANELS-2

## EXPLANATORY OF MAIN

BELL-SET No. 39C (NOTES 5 & 10)

TELEPHONE No. 248 CB MINUS BASE  
(NOTES 6 & 7)



SWITCHING CONDITIONS OF BELL-SET No. 39C

POSITION OF LEVER	CIRCUIT CONDITION	OPERATED CONTACTS
	SPEAK TO EXTN.	2
	SPEAK TO EXCH.	1
	SPEAK TO EXTN. EXCH. HELD.	2 & 3
	EXTN. TO EXCH.	4

C.B.&AUTO.

WAS 5 PANELS SUPERSESSION NOTE  
AMENDED MADE YELLOW.

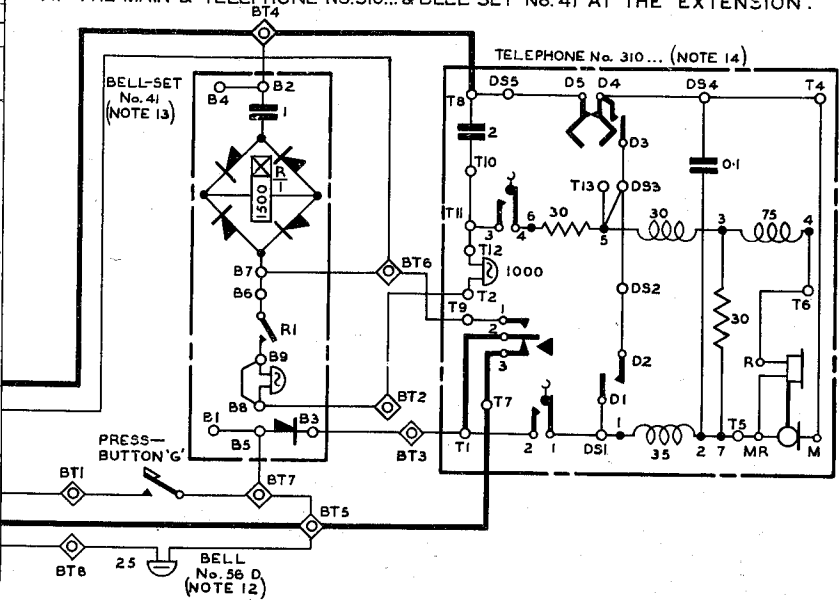
20-11-59 A

Y

# AUTOMATIC SYSTEM SHARED SERVICE (SEPARATE METERING) SUBSCRIBER'S EXTENSION PLANS 73 & 7A (INTERNAL) EXPLANATORY OF EXTENSION

USING TELEPHONE No. 248CB MINUS BASE & BELL-SETS Nos. 39C & 41  
AT THE MAIN & TELEPHONE No. 310... & BELL-SET No. 41 AT THE EXTENSION.

N3858  
4 PANEL 5-3  
28-1-52  
SUPERSEDED FOR  
NEW WORK BY  
N3927



BELL  
No. 56 D  
(NOTE 12)

N3858

WIRING

USING TELEPHONE No. 248CB MINUS BASE & BELL-SETS Nos. 39C & 41 AT THE MAIN  
4 PANELS-4 AND TELEPHONE No. 310... & BELL-SET No. 41 AT THE EXTENSION

