

**AUTOMATIC SYSTEM
SHARED SERVICE (SEPARATE METERING) EXTENSION PLAN 4 (INTERNAL ONLY)
USING TELEPHONE No. 776-1 (COMPACT)**

**N2824
PAGE 1-3
ISSUE A**

NOTES:-

1. The facilities of Plan 4 are shown on Diagram N1427.
2. To provide Plan 4 off Plan 1A Facilities any jack position may be replaced by a Plan 1A extension, using either a Telephone No. 776-1 wired to Diagram N2802, or a Telephone No. 746 or equivalent wired to Diagram N4502.
3. The basic COMPACT Plan 4 consist of 2 bell units with jacks and 1 portable telephone. Additional bell units with jacks, jacks or portable telephones may also be provided.
4. The total number of Bell Units must not exceed 4.
5. APPARATUS REQUIRED:-

WITH ONE PORTABLE TELEPHONE

Telephone No. 776-1
Plug No. 420 Grey 5A
Thermistor No. 1A-1
Switch No. 30A-2 (SA)

MAIN

Jack No. 139A

EXTENSIONS

Bell-Unit No. 776
Jack No. 139A
Switch No. 35A-2 (SB)

Or:-

Jack No. 95...

ADDITIONAL PORTABLE TELEPHONES

Telephone No. 776-1
Plug No. 420 Grey 5A
Switch No. 30A-2 (SA)

The surplus bell-unit should be used at one of the extension jack points.

6. The exchange line and earth may be connected to a Jack No. 95... or Bell-unit No. 776 at an Extension if more convenient.
7. The connexions shown are for 'X' customers. For 'Y' customers, reverse the exchange line 'A' and 'B' wires on terminals B13 and B11 in Bell-Unit No. 776.

MAIN

8. Recover Cord Inst No. 4/127 AX from Telephone No. 776-1 and provide Plug No. 420 Grey 5A and Switch No. 30A-2. Fit Jack No. 139A and Thermistor No. 1A-1 within Bell-Unit No. 776. Rearrange straps and connect as shown.

EXTENSION

9. Fit Jack No. 95..., or Bell-Unit No. 776 containing Jack No. 139A and Switch No. 35A-2. Rearrange straps and connect as shown.

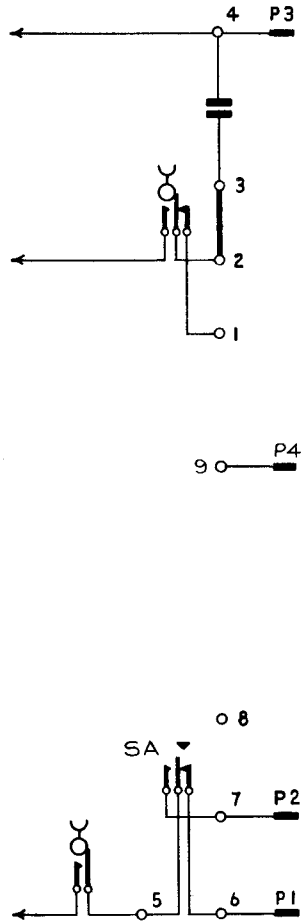
EXTENSION BELL

10. When an extension bell is required at Main or Extension Bell-Unit No. 776, connect in place of strap between terminals B5 and B6.

PO TELECOMMS HQRS PAPER:- W DISTN:- CB & AUTO	ISSUE	A	NOTES REWRITTEN & RENUMBERED. SWITCH No.35A-2 ADDED. MINOR AMENDMENTS. E.S. <i>ML</i>	17.7.79
		/	D.A.PRITCHARD.	TD 7-1-1
				7.3.78

EXPLANATORY

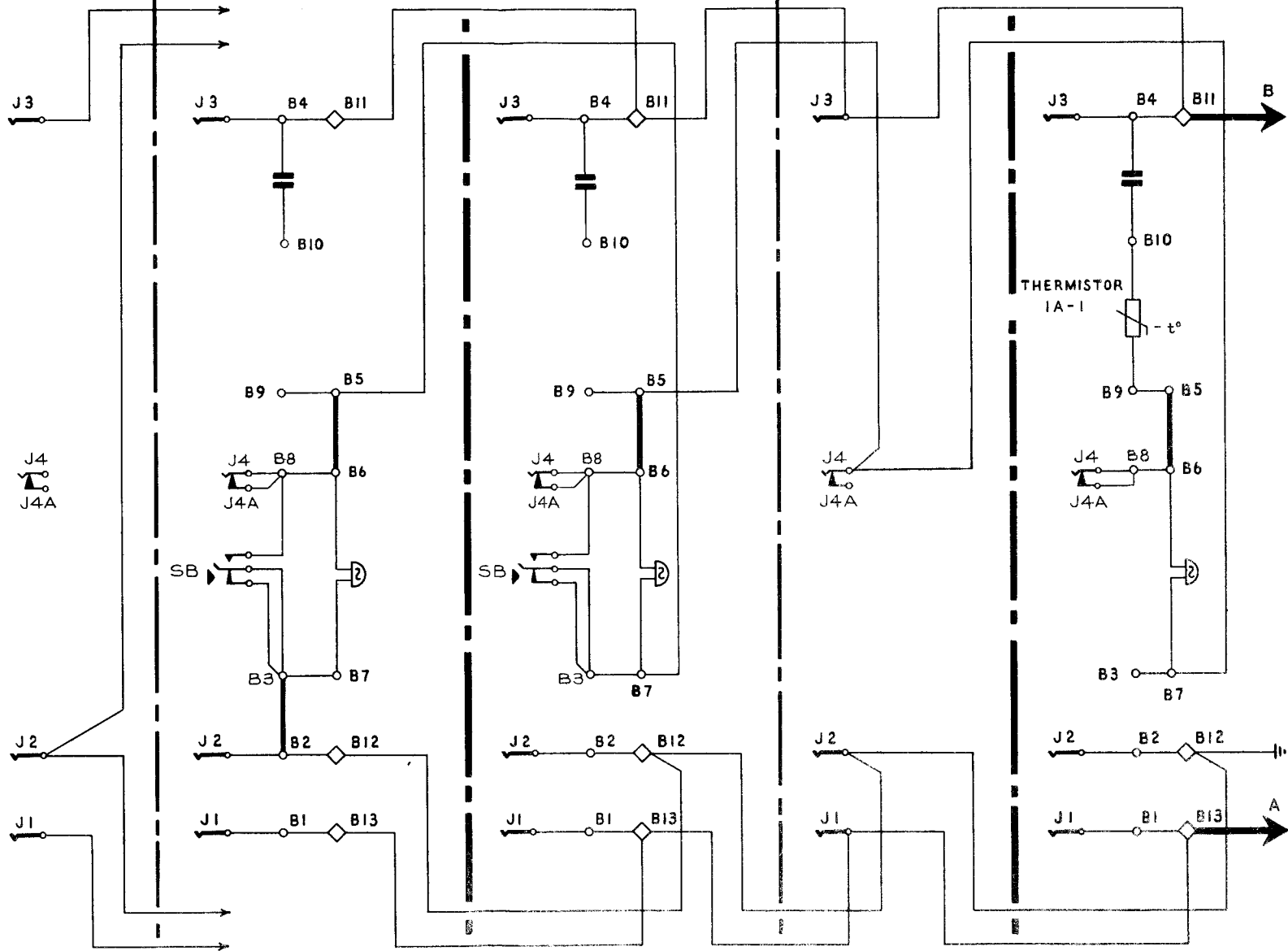
PORTABLE
TELEPHONES



LAST

INTERMEDIATE

MAIN



TELEPHONE No. 776

JACK No. 95...

BELL-UNIT No. 776

BELL-UNIT No. 776

JACK No. 95...

BELL-UNIT No. 776

WIRING

LAST
(BELL-UNIT No. 776 OR JACK No.95...)

INTERMEDIATE
(BELL-UNIT No. 776 OR JACK No.95...)

MAIN

