

AUTOMATIC SYSTEM EXTENSION PLAN 4 (INTERNAL ONLY) USING TELEPHONE No.776-1 (COMPACT)

NOTES:-

1. The facilities of Plan 4 are shown on Diagram N1427.
2. To provide Plan 4 off Plan 1A Facilities any jack position may be replaced by the appropriate Plan 1A station using either a telephone No. 776-1 wired to Diagram N2802, or a Telephone No. 716 or equivalent wired to Diagram N4502.
3. The basic COMPACT Plan 4 consists of 2 bell units fitted with jacks and 1 portable telephone. Additional bell units with jacks, jacks or portable telephones may also be provided.
4. The total number of bell units must not exceed 4.
5. APPARATUS REQUIRED WITH ONE PORTABLE TELEPHONE

Telephone No. 776-1
Plug No. 420 Grey 5A

MAIN

Jack No. 139A

EXTENSIONS

Bell-Unit No. 776
Jack No. 139A
Switch No. 35A-2 (SA)

Or:-

Jack No. 95...

ADDITIONAL PORTABLE TELEPHONES

Telephone No. 776-1 } as required
Plug No. 420 Grey 5A }

The surplus bell unit should be used at one of the extension jack points.

6. The exchange line may be connected to a Jack No. 95... or Bell-Unit No. 776 at an Extension if more convenient.

MAIN

7. Recover Cord Inst No. 4/127AX from Telephone No. 776-1 and provide Plug No. 420 Grey 5A. Fit Jack No. 139A within Bell-Set No. 776. Rearrange straps and connect as shown.

EXTENSION

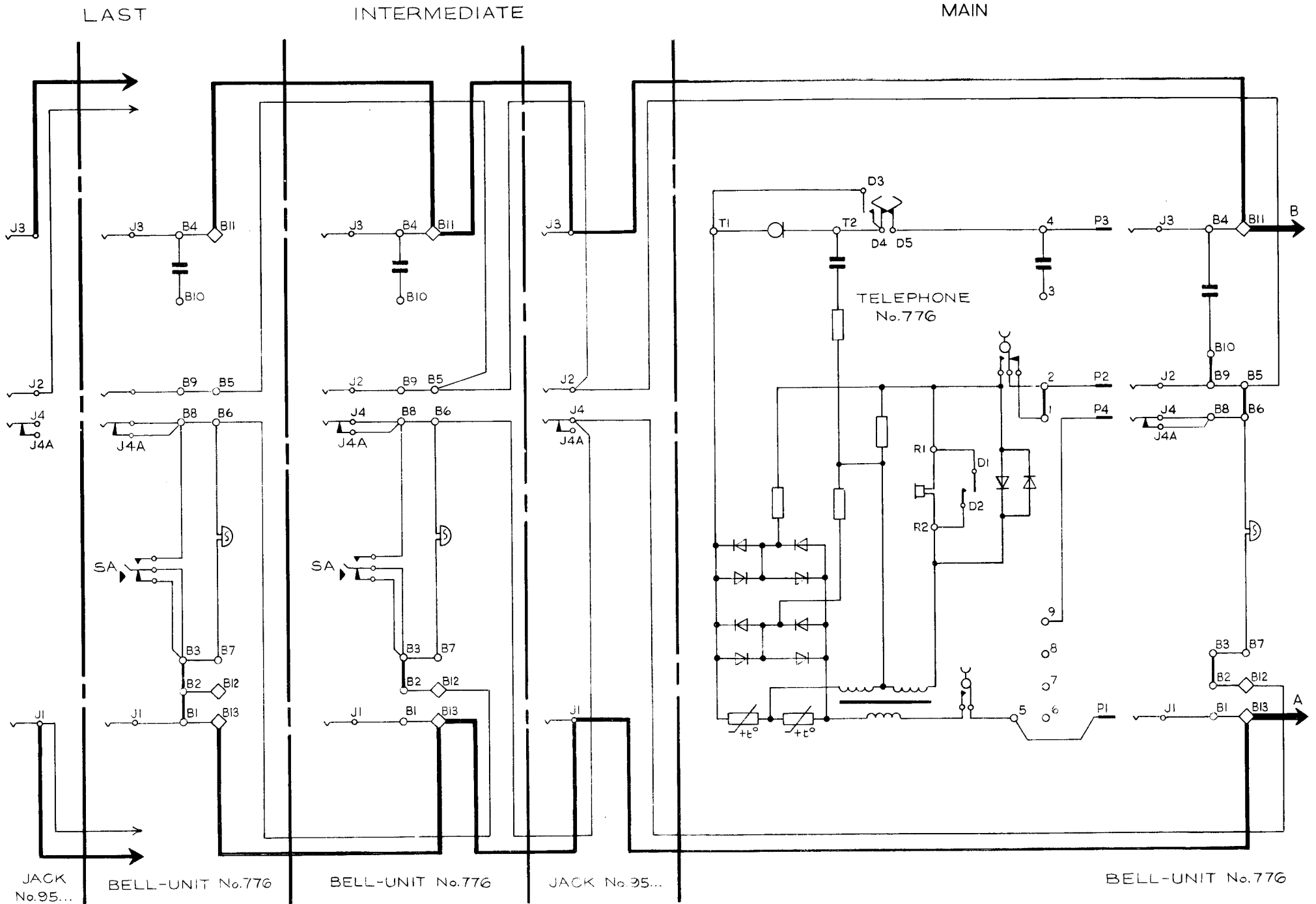
8. Fit Jack No. 95..., or Bell Unit No. 776 containing Jack No. 139A and Switch No. 35A-2. Rearrange straps and connect as shown.

EXTENSION BELL

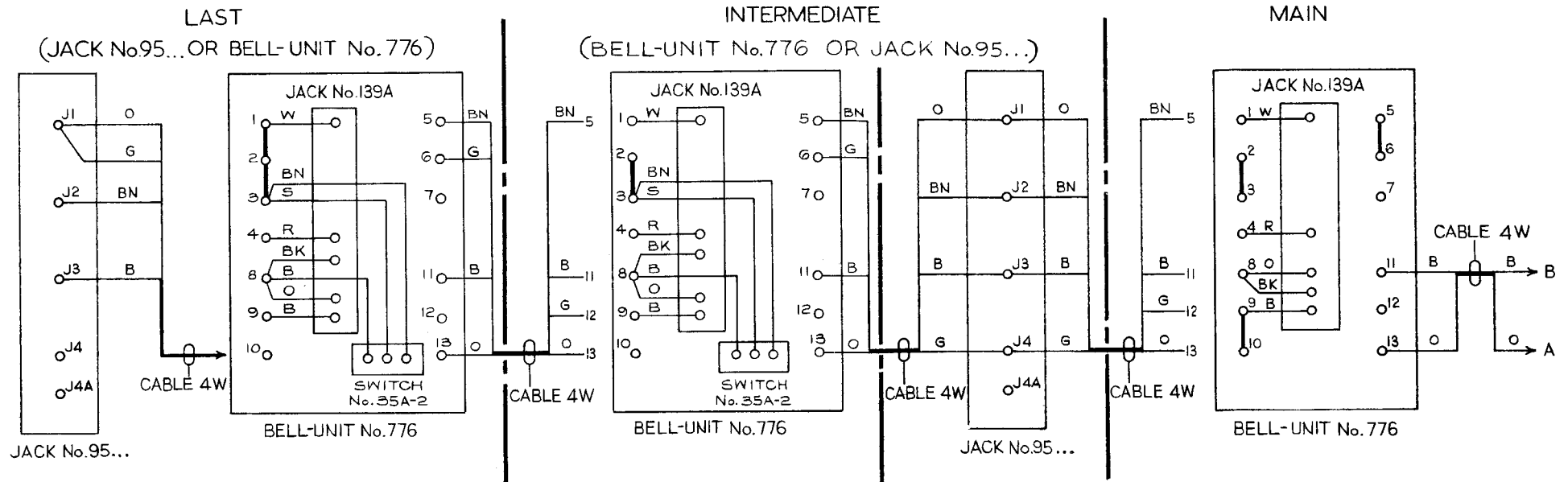
9. When an extension bell is required at Main or Extension Bell-Unit No. 776, remove strap between Terminals B2 and B3. Connect extension bell between Terminals B7 and B12.

PC TELECOMMS HQRS PAPER:- W DISTN:- CB & AUTO	ISSUE	A	NOTES REWRITTEN & RENUMBERED. SWITCH No.35A-2 ADDED.MINOR AMENDMENTS. E.S. <i>pb. tk</i>	21.8.79
		/	D.A.PRITCHARD.	TD 7.1.1
				7.3.78

EXPLANATORY



WIRING



JACK No. 139A
MOUNTED WITHIN BELL-UNIT No. 776



JACK
No 95 ...

