

**AUTOMATIC SYSTEM  
EXTENSION PLAN 1A  
USING TELEPHONE No. 776-1 (COMPACT)**

**NOTES:-**

1. The facilities of Plan 1A are shown on Diagram N1425.
2. Any station may be replaced by a 746 Telephone, or equivalent, wired to Diagram N1502.
3. The number of bells that can be rung directly from the exchange line must not exceed 4.

4. **APPARATUS REQUIRED:-**

**MAIN**

Telephone No. 776-1

**EXTENSIONS**

Telephone No. 776-1  
Switch No. 35A-2

5. The exchange line may be connected to Bell Unit No. 776 at an extension if more convenient.

**MAIN**

6. Rearrange straps and connect as shown.

**EXTENSION**

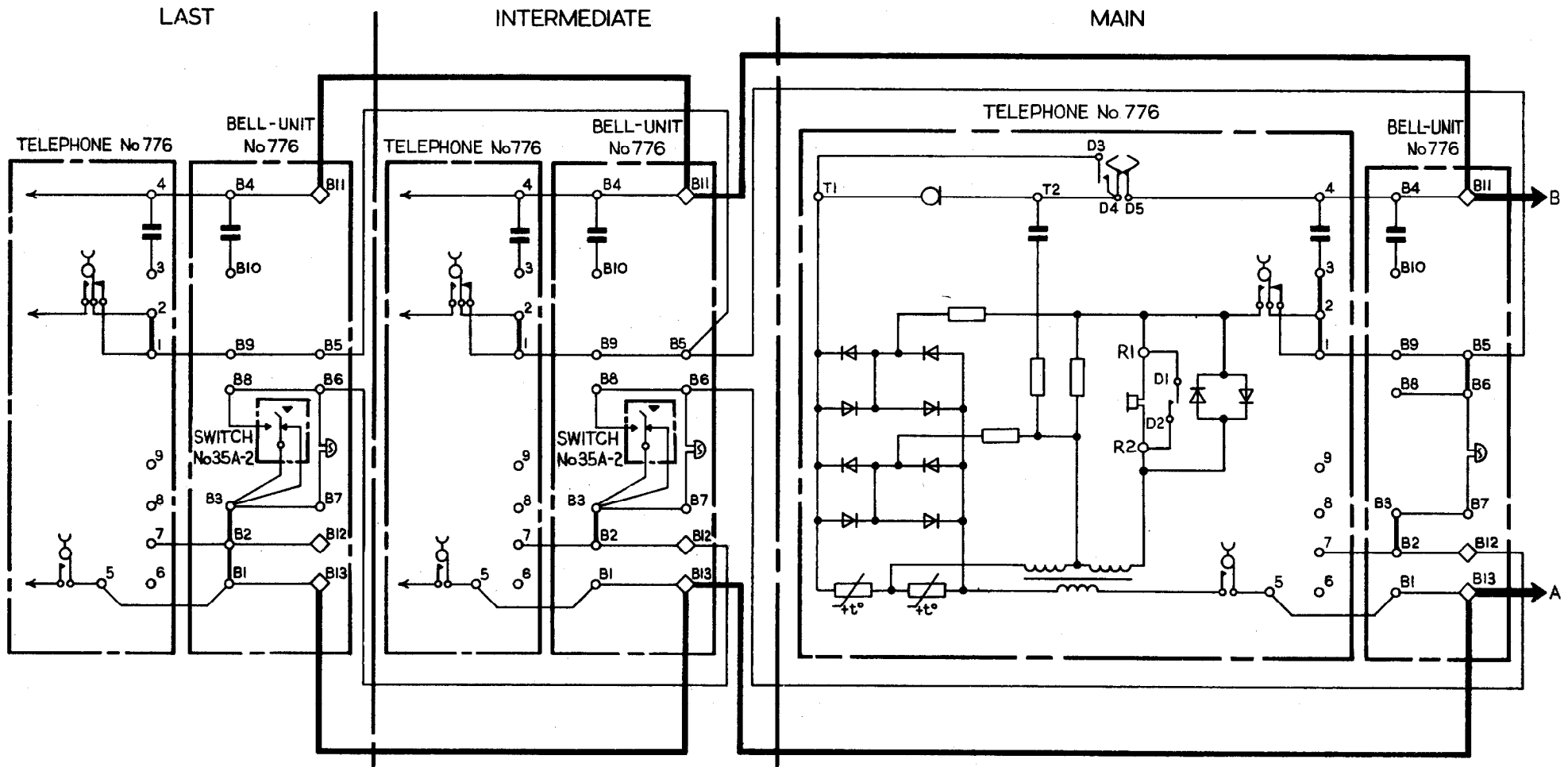
7. In Bell Unit No. 776 fit Switch No. 35A-2. Rearrange straps and connect as shown.

**EXTENSION BELL**

8. When an extension bell is required at Main, or at an Extension, remove strap between terminals B2 and B3 in Bell Unit No. 776 and connect extension bell to terminals B7 and B12.

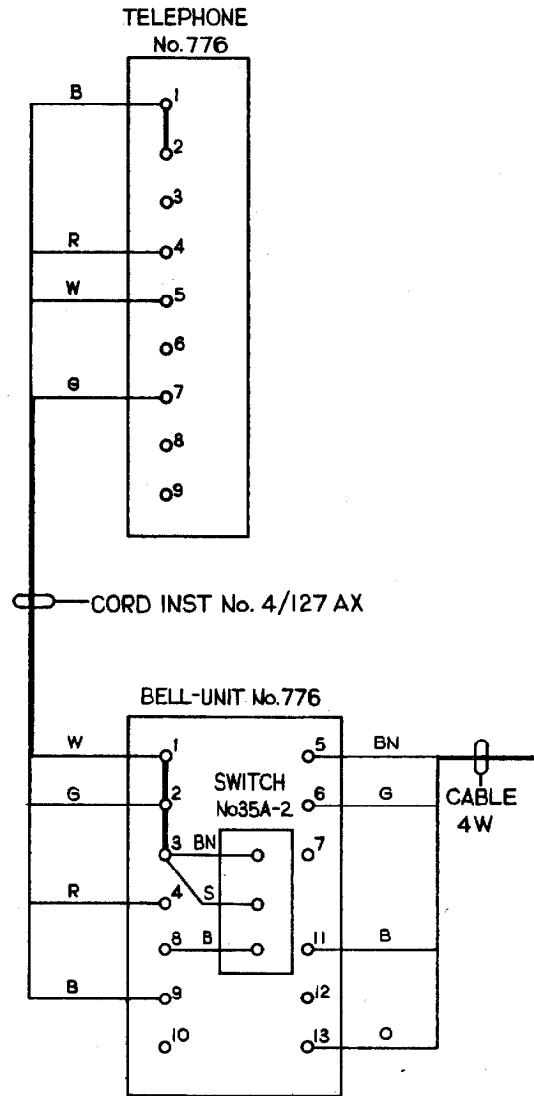
PO TELECOMMS HQRS PAPER:- W DISTN:- CB & AUTO	ISSUE		
		<i>J.P. Ireland.</i> TD7.1.1	7-3-78

EXPLANATORY

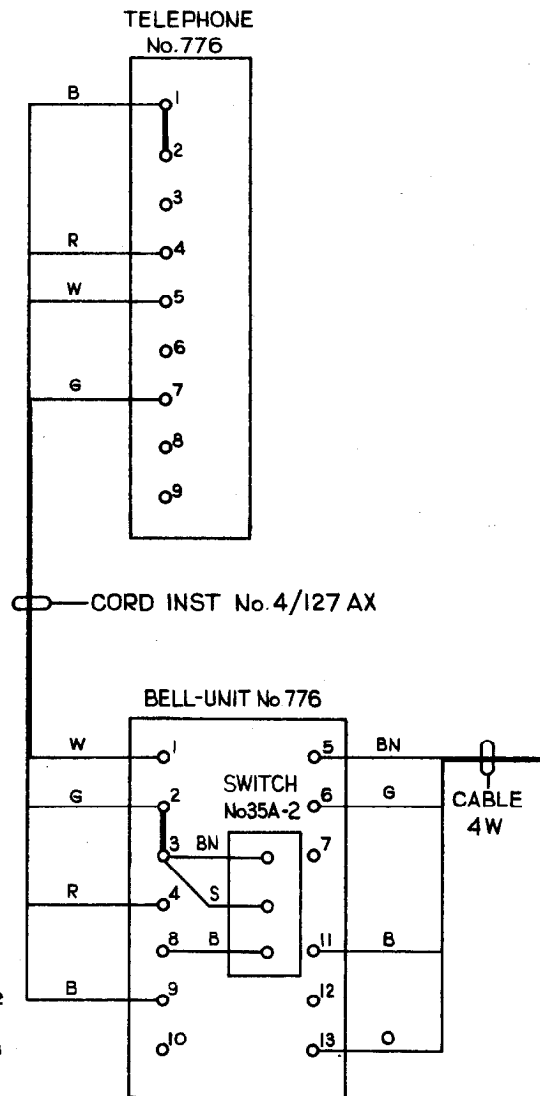


WIRING

LAST



INTERMEDIATE



MAIN

