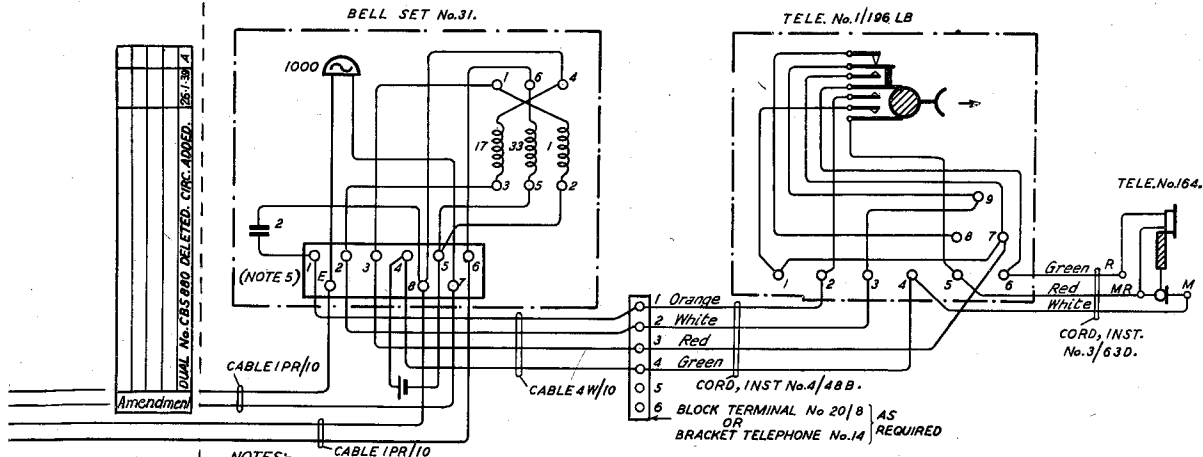


# CALL OFFICE CIRCUIT.

PLAN No. 2C. FOR C.B.S. Nos 2 & 3 SYSTEMS.  
USING TELEPHONES No. 196 LB. & BELL SETS No. 31.

N. 2685.  
29. 5. 35.  
2 PANELS 2

ATTENDANT & PUBLIC.



NOTES:-

1. SWITCH, 6 PT. 2 POSN. TO BE LABELLED "THROUGH" AND "TELEGRAMS"
2. STRAP TERMINALS Nos 6 AND 7 ON BELL SET AT "TELEGRAMS."
3. "TELEPHONE No. 196 LB." IS ISSUED WITH "CORD, INST. No. 3/63D". WHEN A LONGER CORD IS REQUIRED THIS SHOULD BE RECOVERED AND "CORD, INST. No. 3/0" OF REQUIRED LENGTH FITTED IN LIEU.
4. PROVIDE "CELLS, LECLANCHE, W.K. 4, W.K. 2 OR W.K. 1, 2 OR 3 CELLS" ACCORDING TO REQUIREMENTS. (SEE T.I. TELEPHONES, STATIONS A.3205).
5. REMOVE SOLDERED STRAP BETWEEN TERMINALS 1 & E.

N. 2685

2 PANELS I

TELEGRAMS.

