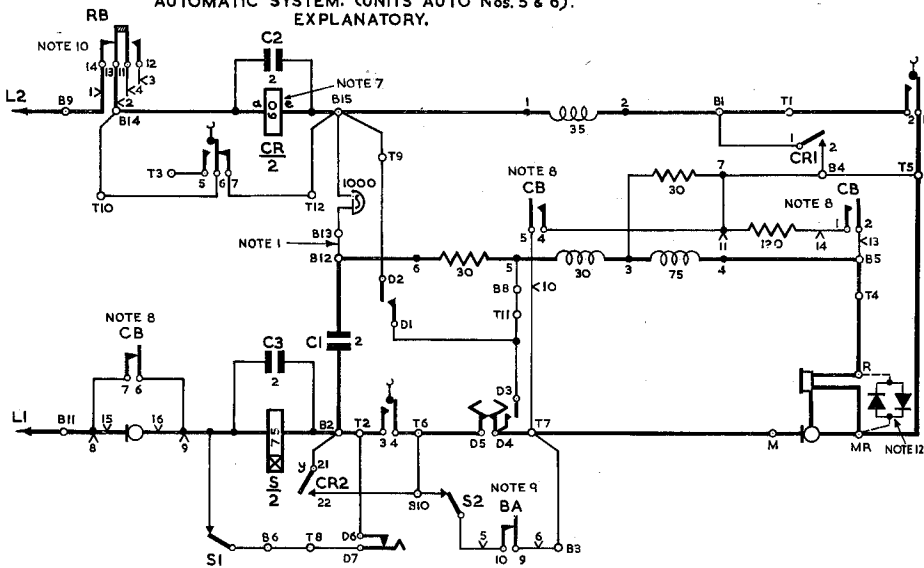


CALL OFFICE CCT. PLAN 5A MODIFIED.
 TO PROVIDE RELAY CONTROL OF OPERATOR RECALL FACILITY
 AUTOMATIC SYSTEM. (UNITS AUTO Nos. 5 & 6).
 EXPLANATORY.

N 2422
 3 PANELS-1
 8-3-57.

CIRCULATION	SPECIAL.
	SUFFIX
RECT. 101 & NOTES 11 & 12 ADDED.	6.6.67. A
AMENDT.	
PAPER	R



N 2422.

3 PANELS-2.

NOTES.

1. REMOVE STRAP AND CONNECT EXTENSION BELL BETWEEN TERMINALS 12 AND 13 ON BELL SET WHEN REQUIRED.
2. FOR CALL OFFICE CIRCUITS USE "BOX, COIN, COLLECTING No. 14 D." FOR SUBS. CIRCUITS USE "BCC No. 14 E."
3. FOR SUBS CIRCUITS RECOVER "CORD, INSTRUMENT No. 3/99 BN 26 INS." AND PROVIDE "CORD, INSTRUMENT No. 3/63 A 42 INS."
4. STRAP TERMINALS T9 AND T12 IN TELEPHONE.
5. REMOVE "CORD, INSTRUMENT No. 5/21 E 3 INS." AND FIT "CORD INSTRUMENT No. 6/13 E 8 INS."
6. REMOVE STRAP BETWEEN TERMINALS 5 AND 6 ON "DIAL AUTO No. 13."
7. RELAY No. 11880.
8. THESE SPRINGS ARE OPERATED BY THE INSERTION OF COINS AND RELEASED BY THE "A" OR "B" BUTTON.
9. THESE SPRINGS ARE OPERATED BY THE CORRECT WEIGHT OF COINS AND RELEASED BY THE "A" OR "B" BUTTON. SEE E.I. TELES. C.O. D5001 FOR ADJUSTMENT OF SPRINGS 8 & 10.
10. THESE SPRINGS ARE OPERATED BY DEPRESSION OF THE "B" (REFUND) BUTTON.
11. THE FRAME OF THE COIN BOX MECHANISM MUST BE EARTHED BY CONNECTING SPRING 8 TO THE FRAME TAG ON THE SPRING SET (SEE ALSO E.I. TELES. C.O. D3003).
12. ON PUBLIC CIRCUITS, FIT TWO RECTIFIER ELEMENTS No. 101, SUITABLY INSULATED, IN THE TRANSMITTER CAVITY OF THE TELE. 164.

CALL OFFICE CCT. PLAN 5A MODIFIED.

TO PROVIDE RELAY CONTROL OF OPERATOR RECALL FACILITY
AUTOMATIC SYSTEM. (UNITS AUTO Nos.5 & 6).
WIRING.

N 2422.
3 PANELS-3.
8-3-57

CIRCULATION	SPECIAL.
Suffix	5.5.67.1A
Amend.	RECT. 101 & NOTES 11 & 12 ADDED.
PAPER	R

