

N2421.
3 PANELS-1
27-10-54

CALL OFFICE CIRCUIT.
CALL OFFICE CCT. PLAN 5A MODIFIED TO PROVIDE RELAY
CONTROL OF OPERATOR RE-CALL FACILITY.
AUTOMATIC SYSTEM.

NOTES :-

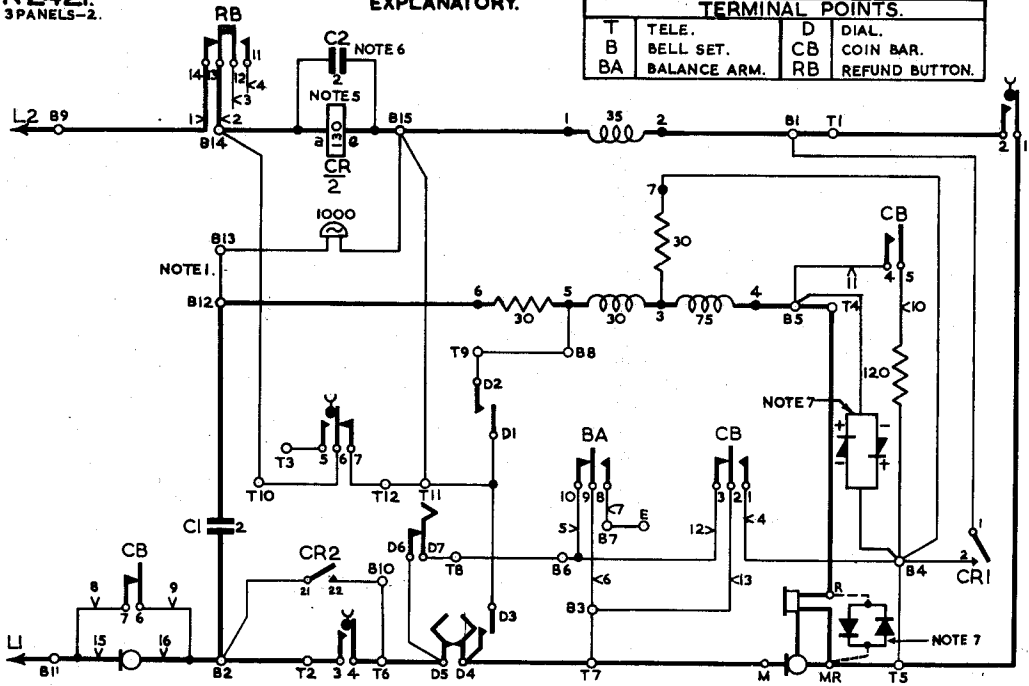
1. REMOVE STRAP & CONNECT EXTN. BELL BETWEEN TERMINALS 12 & 13 ON BELL SET WHEN REQUIRED.
2. FOR CALL OFFICE CCTS. USE BOX, COIN COLLECTING No.14D. FOR SUBS. CCTS. USE B.C.C. No.14E.
3. FOR SUBS. CCTS. RECOVER CORD, INST. No.3/63 KB 33" OR 3/99 BN 26" AND PROVIDE CORD, INST. No.3/63 A 42"
4. STRAP TERMINALS T11 & T12
5. 3000 TYPE RELAY No.12577.
6. CAPACITOR PAPER No. 7705. FITTED ON CLIP No.51D.
7. ON PUBLIC CCTS. TRANSFER THE TWO RECTIFIER ELEMENTS No.101 FROM THE BELL SET TO THE TRANSMITTER CAVITY OF THE TELE.164.
8. THE FRAME OF THE COIN BOX MECHANISIM MUST BE EARTHED BY CONNECTING BA SPRING NUMBER 8 TO THE FRAME TAG ON THE SPRING SET (SEE ALSO EI TELES. CALL OFFICES D3003).
9. SEE EI TELES. CO. D5001 FOR ADJUSTMENT OF SPRINGS 8 & 10.

CIRCULATION	SPECIAL.
	Suffix
	6.6.67. C 6.2.59 B 21.10.54 A
	RECTS. 101 AND NOTE 9 ADDED. 2/57 TYPE OF CORD AMENDED RECTIFIER ELEMENTS No.101 ADDED. 7
Amendc.	
PAPER	R

N2421.
3 PANELS-2.

EXPLANATORY.

TERMINAL POINTS.			
T	TELE.	D	DIAL.
B	BELL SET.	CB	COIN BAR.
BA	BALANCE ARM.	RB	REFUND BUTTON.



CALL OFFICE CIRCUIT.

CALL OFFICE CCT. PLAN 5A MODIFIED TO PROVIDE RELAY
CONTROL OF OPERATOR RE-CALL FACILITY.
AUTOMATIC SYSTEM.
BELL-SET No.48.

N2421.
3 PANELS-3
27-10-54

R	RECTS IOI AND NOTE 9 ADDED. TYPE OF CORD AMENDED RECTIFIER ELEMENTS No IOI ADDED	SPECIAL
FA-211	C	C
	2-5.67 C	C
	2-2.58 B	B
	2-10.90 A	A

