

CALL OFFICE CIRCUIT

CALL OFFICE CIRCUIT PLAN No.5A OR SUBSCRIBER'S
DIRECT EXCHANGE LINE WITH COIN BOX. POST
PAYMENT WORKING. MANUAL C.B. SYSTEM. (NOTE 2)

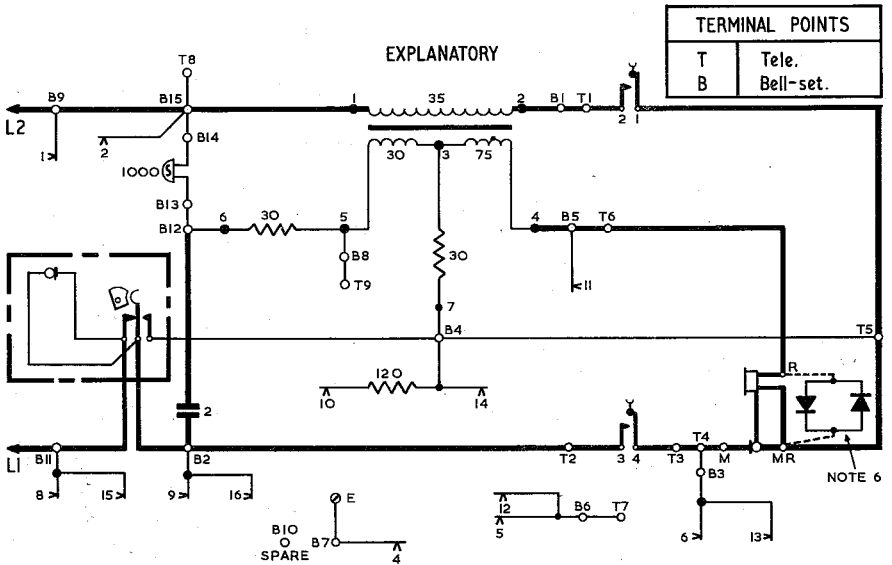
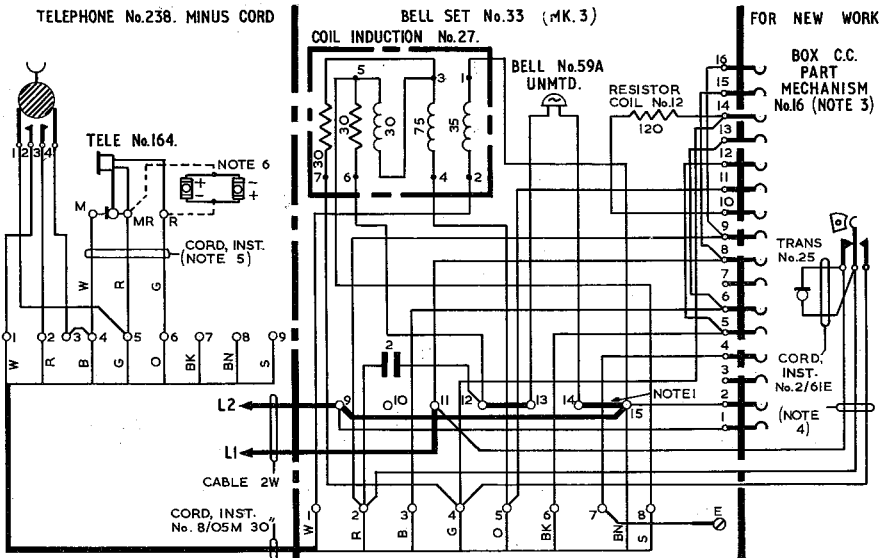
N2419

PAGE 1-3

ISSUE D

SUPERSEDES N2419

PAGE 3



P.O.M.D.
M.2.2.3.

PAPER: W
CIRCULATION
GENERAL

ISSUES			
	D	New format.	1/6/67
C	Note 6 added.		6-6-67
	C.W. Arnold	SI/3/1	26-2-52

NOTES

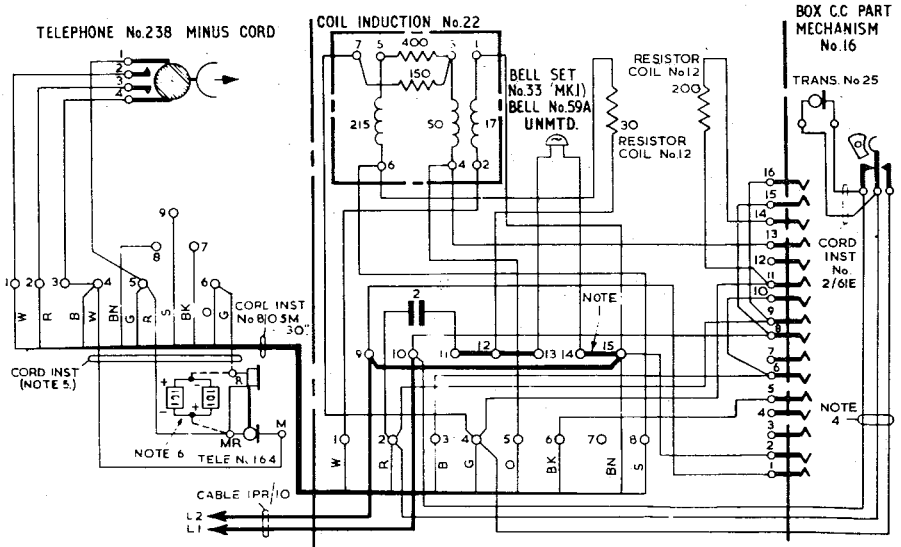
1. Remove strap and connect extension bell between terminals Nos.14 and 15 on bell set when required.
2. This diagram should only be used where a post payment coin box circuit is to be connected to a C.B. exchange - Vide E.I. teles manual C3905.
3. (a) For public call offices use:- box, coin collecting, No.16B complete.
(b) For subscribers circuits use:- box, coin collecting, No.16C complete.
4. Wiring between the bell-set and mechanism terminal strip to be made with cable, P.V.C, 3 wire.
5. For public ccts. use cord, inst. No.3/99Bn. 26"
For subs. ccts. use cord, inst. No.3/63ABn. 42"
6. On public ccts. fit two rectifier elements No.101, suitably insulated in the transmitter cavity of the tele. No.164.

CALL OFFICE CIRCUIT
 CALL OFFICE CIRCUIT PLAN No.5A OR SUBSCRIBERS
 DIRECT EXCHANGE LINE WITH COIN BOX.

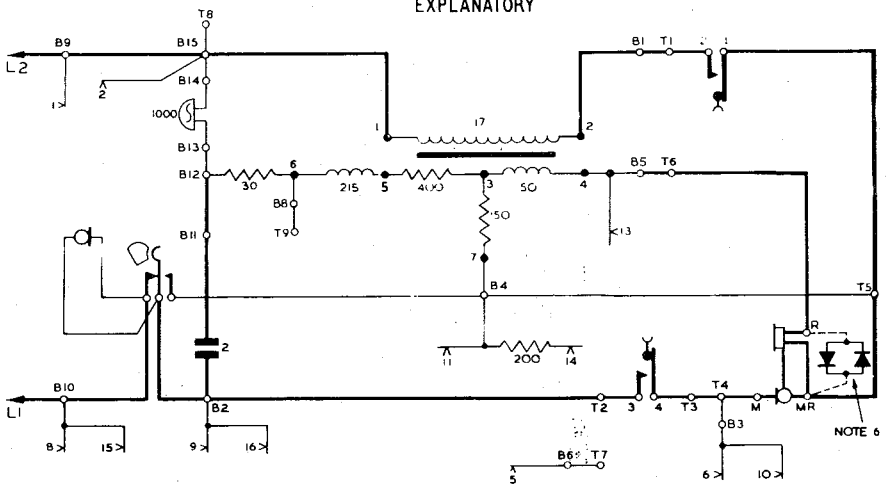
N2419
 PAGE 3-3
 ISSUE D

POST PAYMENT WORKING.
 MANUAL C.B. SYSTEM. (NOTE 2)

SUPERSEDED BY
 PAGES 1-2
 FOR NEW WORK



EXPLANATORY



P.O.M.D.
 M.2.2.3.

PAPER: Y
 CIRCULATION
 GENERAL

ISSUES			
	D	New format	2-5-68
	C	Note 6 added	6-6-67
		C.W. Arnold SI/3/1	26-2-52