

CIRCULATION

C.B. & AUTO.

CALL OFFICE CIRCUIT.

PLAN No. 2C. C.B. & AUTOMATIC SYSTEMS.

USING TELE. No. 1/232 C.B. OR TELE. No. 1/232... WITH BELL SET No. 26 & BELL No. 64A.
EXPLANATORY.

N2417

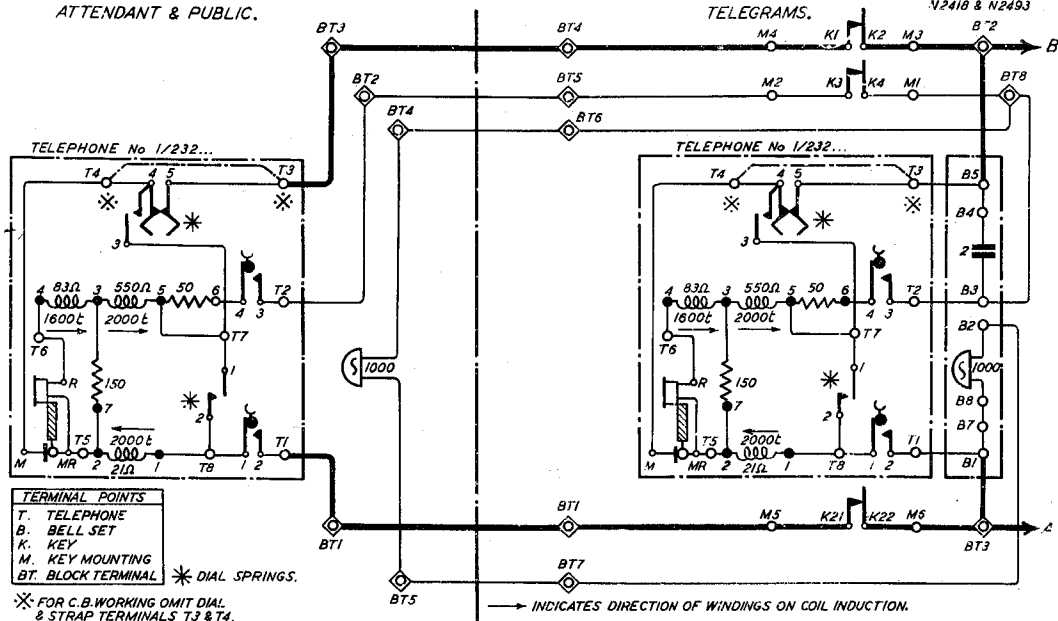
3 PANELS-1
3-6-39
SUPERSEDES FOR
NEW WORK
N2418 & N2493

ATTENDANT & PUBLIC.

TELEGRAMS.



Amendment.



W

N2417

3 PANELS - 2

NOTES.

1. **FOR C.B. WORKING FIT FOR:- ATTENDANT & PUBLIC;
TELE, No 1/232 C.B. & BELL, No 64A. TELEGRAMS; TELE, No
1/232 C.B.; BELL SET No. 26 & KEY No. 236 WITH KEY
MOUNTING NAA.**
**FOR AUTOMATIC WORKING FIT FOR:- ATTENDANT & PUBLIC;
TELE, No 1/232... & BELL No 64A. TELEGRAMS; TELE, No
1/232... BELL SET No 26 & KEY No 236 WITH KEY
MOUNTING NAA.**
2. **KEY MOUNTING NAA TO BE ENGRAVED "THROUGH" IN THE
NORMAL POSITION AND "TELEGRAMS" IN THE OPERATED
POSITION. USE "ENGRAVING TYPE 12 B1" FILLED WHITE.**
3. **REMOVE THE STRAP BETWEEN TERMINALS 2 & 3
IN BELL SET No. 26.**

**N.B. THE FOLLOWING DIAGRAMS SHOW THE INTERNAL
CONNEXIONS FOR:-**

1. **TELE, No. 1/232 C.B. AND TELE, No 1/232... N332.**
2. **BELL SET No. 26. N526.**

CIRCULATION

C.B. & AUTO.

CALL OFFICE CIRCUIT.

PLAN No. 2C. C.B. & AUTOMATIC SYSTEMS.

USING TELE. No 1/232 C. B. OR TELE. No 1/232... WITH BELL SET No. 26 & BELL No. 64A.
WIRING DIAGRAM.

N 2417

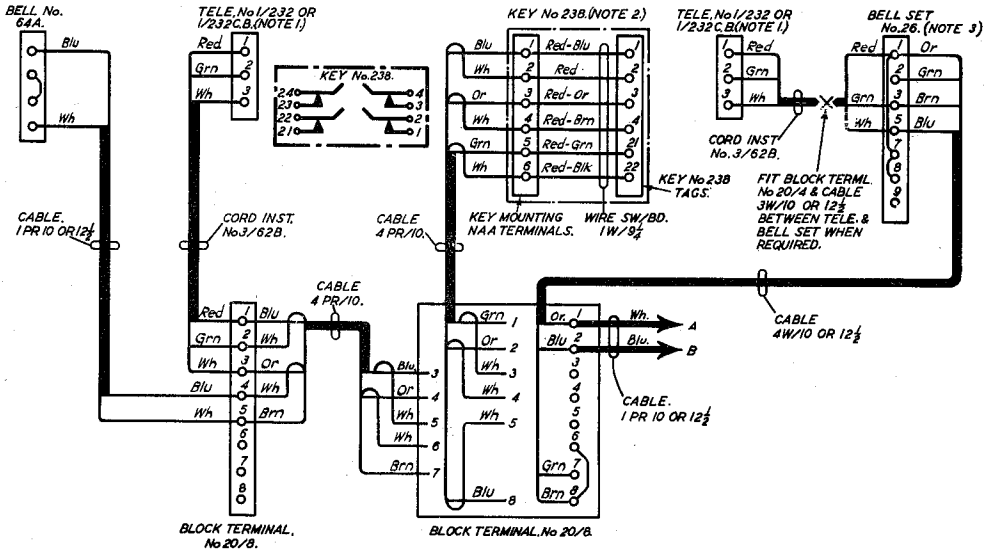
3 PANELS-3

3-6-39

SUPERSEDES FOR
NEW WORK
N 2418 & N 2493.

ATTENDANT & PUBLIC.

TELEGRAMS.



W