

CIRCULATION

2&3
MAGNETO.

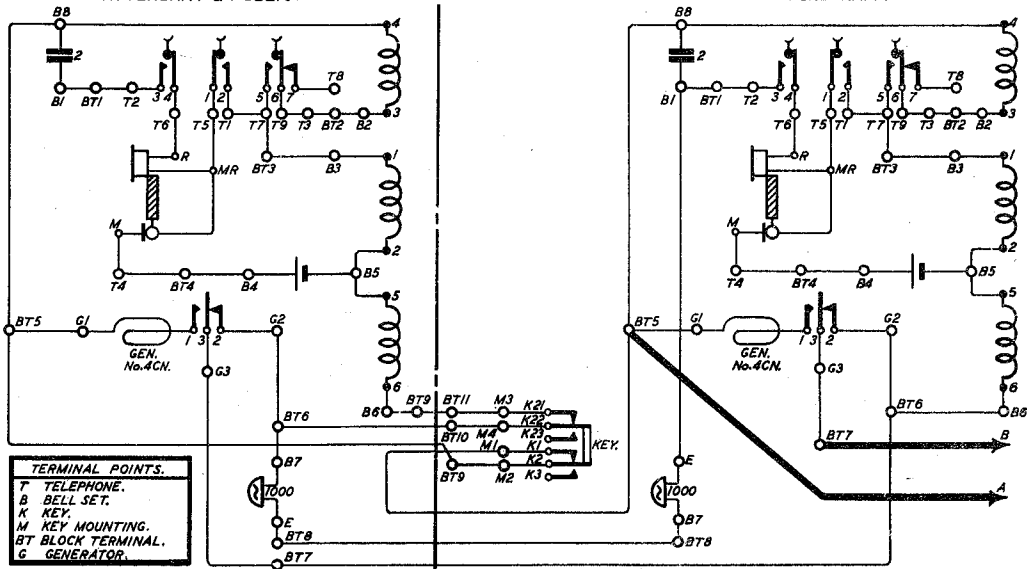
CALL OFFICE CIRCUIT.

PLAN No. 2C, MAGNETO SYSTEM.
USING TELEPHONES No. 1/196LB AND BELL SET No. 31.
EXPLANATORY.

N 2411.
3 PANELS-1
30-9-35.

ATTENDANT & PUBLIC.

TELEGRAMS.



TERMINAL POINTS.
 T TELEPHONE.
 B BELL SET.
 K KEY.
 M KEY MOUNTING.
 BT BLOCK TERMINAL.
 G GENERATOR.

Redrawn & revised. Dupl No. TL 1250 deleted. 9-4-39 A
 Amendment.

W

N 2411.

3 PANELS-2.

NOTES.

1. KEY MOUNTING NAA TO BE ENGRAVED "THROUGH" IN THE NORMAL POSITION AND "TELEGRAMS" IN THE OPERATED POSITION USE "ENGRAVING TYPE 12BI" FILLED WHITE.
2. PROVIDE CELL LECLANCHÉ WK4 OR WK2 2 CELLS ACCORDING TO REQUIREMENTS. (E.I. TELEPHONES CALL OFFICES A301 REFERS.)
3. TELEPHONE No. 1/196LB IS ISSUED WITH CORD, INST. No. 3/63D, 30. WHEN A LONGER CORD IS REQUIRED THIS SHOULD BE RECOVERED AND CORD, INST. No. 3/D OF REQUIRED LENGTH FITTED IN LIEU.
4. STRAP BETWEEN TERMLS. 'I' & 'E' OF BELL SET No. 31 IS ON UNDERSIDE OF TERMINAL STRIP AND MUST BE REMOVED.

CALL OFFICE CIRCUIT.

PLAN No. 2C, MAGNETO SYSTEM.

USING TELEPHONES No. 1/196LB AND BELL SET No. 31.

N 211.
 3 PANELS - 3
 30-9-.5.

ATTENDANT & PUBLIC.

WIRING

TELEGRAMS.

