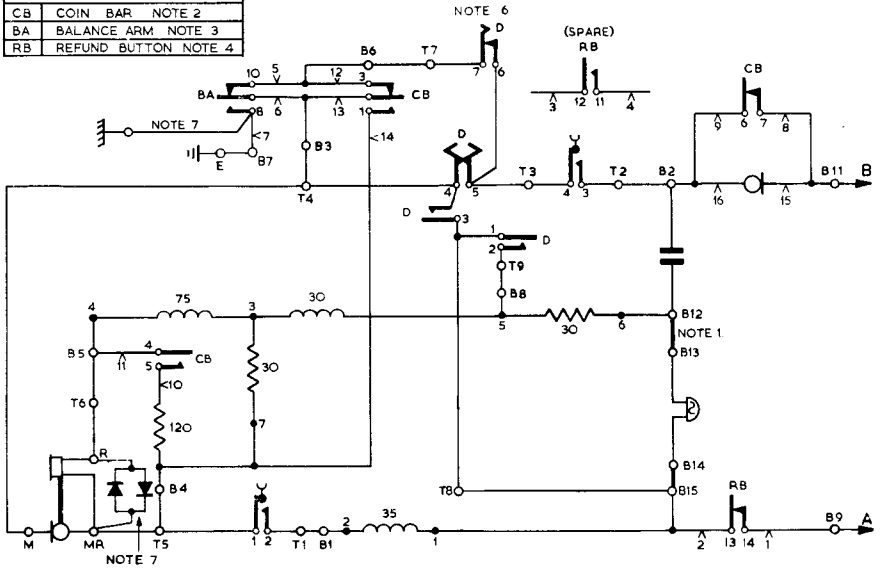


CALL OFFICE - AUTOMATIC SYSTEM
 CALL OFFICE CIRCUIT PLAN 5A OR SUBSCRIBER'S
 DIRECT EXCHANGE LINE WITH COIN BOX. PREPAYMENT
 WORKING.

N2408
 PAGE 1-3
 ISSUE H

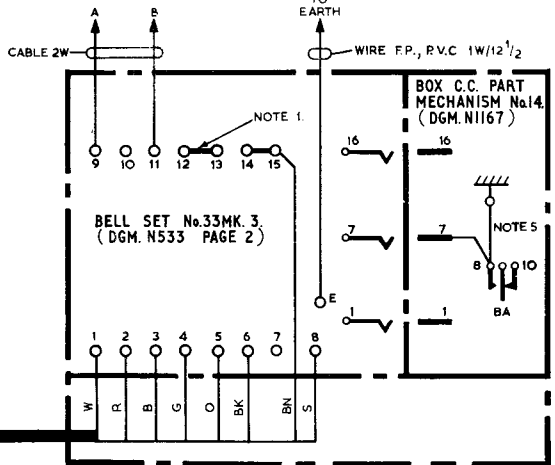
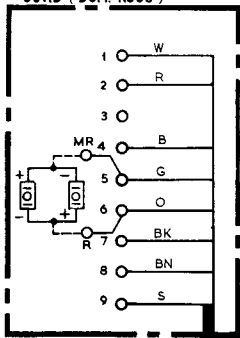
SPRING CODES		
CB	COIN BAR	NOTE 2
BA	BALANCE ARM	NOTE 3
RB	REFUND BUTTON	NOTE 4

EXPLANATORY



WIRING

TELE. No.238 BLACK MINUS
 CORD (DGM. N338)



NOTE 7 & 8

BOX COIN COLLECTING No.14D OR 14E COMPLETE.

P.O.M.D
 M.2.2.3.

PAPER : W
 CIRCULATION
 C.B. & AUTO

ISSUES			
	H	New format <i>BLW</i>	29-3-68
	G	Recls. 101 added. Notes 7 to 11 renumbered.	6-6-67
		E.S.R. S1/3	24-12-35

GENERAL NOTES

1. Remove strap and connect extension bell if required between B12 and B13 on page 1 or B14 & B15 on page 3.
2. C.B. springs operate when the first coin is inserted and release when button A or B is pressed.
3. BA. springs operate after four pennies have been inserted and release when button A or B is pressed. For adj. of springs 8 & 10 see EI teles. C.O.D5001.
4. RB. springs operate when button B is pressed and release automatically after a delay of approx. 7 secs.
5. The frame of the coin box mechanism must be connected to BA. spring No.8 see EI. teles. call office D3003.
6. These springs are normally open when dial auto. No.20 is fitted.
7. On public call offices, fit two rectifier elements No.101, suitably insulated, in the transmitter cavity of the tele. No.164.

NOTES FOR WIRING, PAGE 1

8. Apparatus required at public call office :-
 - 1 tele. No.238 black, minor cord.
 - 1 bell set No.33.
 - 1 cord, inst. No.8/05M, 30"
 - 1 box, coin collecting No.14D comp.
 - 1 part No.1/SBA/1.
 - 1 wallboard D1/60577 or D1/63747.
 - 1 wallboard D2/60577 or D2/63747.
 - 1 box C.C. part adapter No.2 or box C.C. part scraper No.1. See EI teles. C.O. D3001.
 - 1 box C.C. part lock No.39.
 - 2 rectifier elements No.101

Items required in special circumstances.

 - 1 box C.C. part mechanism No.18
 - 1 partition No.D60967 if a protector is fitted.

} See E.I. teles. call office D3001, 3003.
9. Apparatus required at Subs. premises.
 - 1 tele. No.238 black, minus cord.
 - 1 bell set No.33.
 - 1 box, coin collecting No.14E complete.
 - 1 cord, inst. 3/63A bn. 42" to replace normal cord.
 - 1 box C.C. part lock No.39...

When appts. is wall mounted.

 - 1 wallboard D90650 or D90651.
 - 1 bkt. tele. No.12.
 - 1 part 1/SBA/2.
 - 1 cord inst. No.8/06B, bn. 30"

When appts. is table mounted.

 - 1 backboard No.1.
 - 1 base, tele. No.1/162bk.
 - 1 cord, inst. No.8/06B bn 54" or 72."

