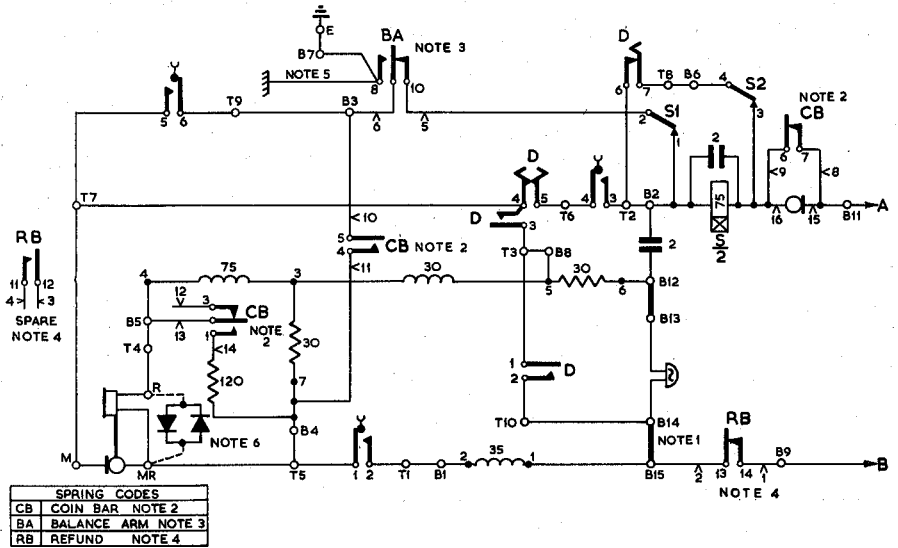


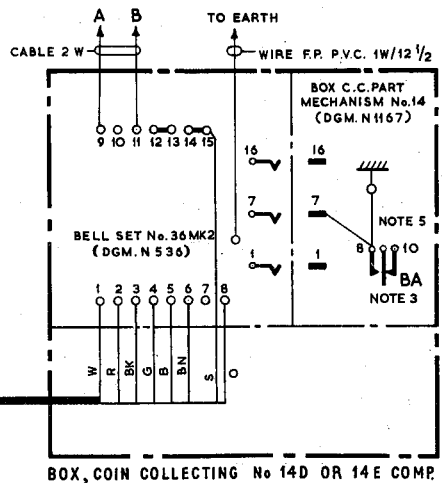
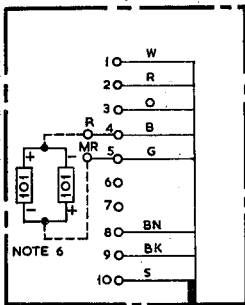
CALL OFFICE CIRCUIT  
 CALL OFFICE CIRCUIT PLAN No 5A OR SUBSCRIBERS  
 DIRECT EXCHANGE LINE WITH COIN BOX. PREPAYMENT  
 WORKING. AUTOMATIC SYSTEM (UNITS AUTO Nos 5&6).

N 2407  
 PAGE 1-2  
 ISSUE F

EXPLANATORY



WIRING  
 TELE No. 242 BLACK MINUS CORD  
 (DGM. N 242).



P.O.M.D.  
 M.2.2.3.

PAPER: W  
 CIRCULATION  
 GENERAL

ISSUES			
	F	NEW FORMAT. <i>ldw.</i>	29.3.68
	E	NOTES 6,7 & 8 RENUMBERED. RECT.101 ADDED.	6.6.67
		E.S.R. S1	23.12.35

N. 2407

PAGE 2-2

ISSUE F

NOTES:

GENERAL

1. Remove strap and connect Extension Bell if required between Terminals B14 and B15.
2. C.B. springs operate when the first coin is inserted and release when button A or B is pressed.
3. B.A. springs operate after 4 pennies have been inserted and release when button A or B is pressed. See E.I.Tele.CO.D5001 for adjustment of springs 8 and 10.
4. R.B. springs operate when button B is pressed and release automatically after a delay of 7 seconds.
5. The frame of the coin box mechanism must be connected to B.A. spring No.8. See E.I.Tele.CO.D3003.
6. On Public Call Offices, fit two Rectifier Elements No.101, suitably insulated, in the transmitter cavity of the Tele.164.

FOR WIRING DIAGRAM

7. Apparatus required at Public Call Office:-

- 1 Tele. No.242 Black, minus cord.
- 1 Bell Set No.36.
- 1 Cord Inst.No.8/05 M 30".
- 1 Box Coin Collecting No.14D Comp.
- 1 Part 1/SBA/1
- 1 Wallboard D1/60577 or D1/63747.
- 1 " D2/60577 or D2/63747.
- 1 Box, C.C. Part Adapter No.1 or Box C.C. Part Scraper No.1.  
See E.I.Teles. CO.D3001.
- 1 Box C.C. Part Lock No.39.
- 2 Rectifier Elements No.101.

Items required in special circumstances:-

- 1 Box C.C. Part Mechanism No.18.
- 1 Partition No.D60967 if a Protector is fitted. } See E.I. Teles. CO.  
D3001 - D3003.

8. Apparatus required at Subs. Premises:-

- 1 Tele.No.242 Block, minus cord.
- 1 Bell Set No.36.
- 1 Box,Coin Collecting No.14E Comp.
- 1 Box C.C. Part Lock No.39...
- 1 Cord Inst. 3/63A Brn to replace normal cord.

When Apparatus is Wall Mounted:-

- 1 Wallboard D.90650 or D.90651.
- 1 Bracket Tele.No.12.
- 1 Part 1/SBA/2.
- 1 Cord Inst. 8/06 B, Brn 30"

When Apparatus is Table Mounted:-

- 1 Backboard No.1
- 1 Box Tele.No.1/162 Block
- 1 Cord Inst.No.8/06 B 54" or 72"