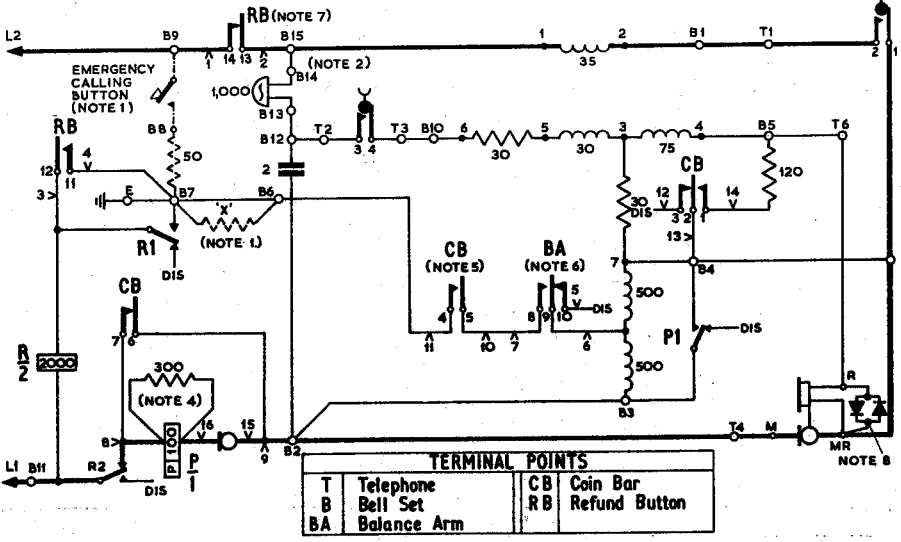
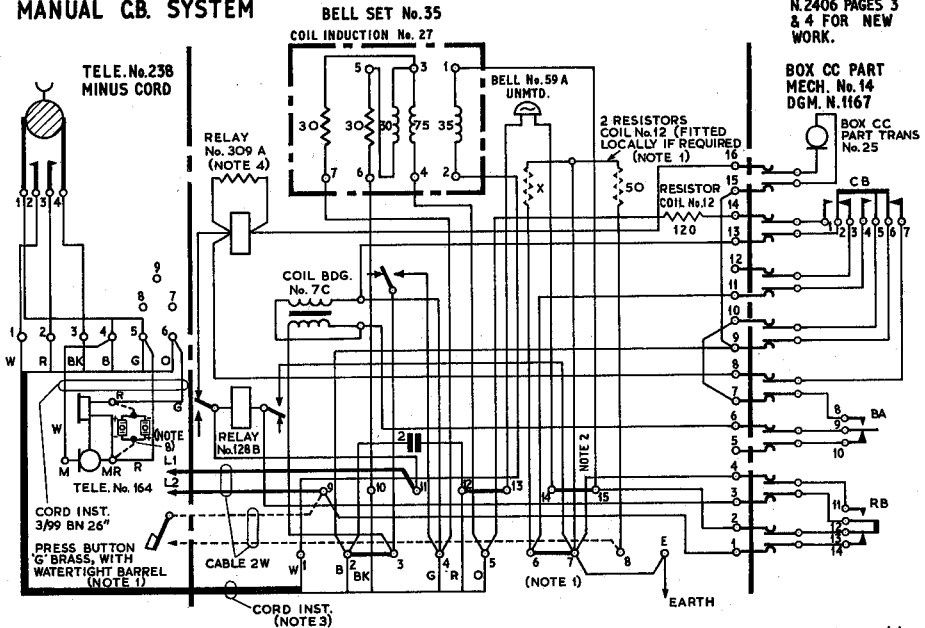


**CALL OFFICE CIRCUIT**  
**CALL OFFICE CIRCUIT PLAN No. 5A OR SUBSCRIBERS**  
**DIRECT EXCHANGE LINE WITH COIN BOX.**  
**PREPAYMENT WORKING**  
**MANUAL CB. SYSTEM**

**N 2406**  
**PAGE 1-4**  
**ISSUE F**

SUPERSEDES  
 N.2406 PAGES 3  
 & 4 FOR NEW  
 WORK.



TERMINAL POINTS			
T	Telephone	CB	Coin Bar
B	Bell Set	RB	Refund Button
BA	Balance Arm		

Post Office Telecomms. Headquarters M 2.2.3. Paper W	ISSUES			
Circulation C.B. & AUTO.		F	NEW FORMAT	26 - 6 - 68
		E	NOTE 8 ADDED	6 - 6 - 67
			E. S. R.	S.1.

N. 2406

PAGE 2-4

ISSUE F

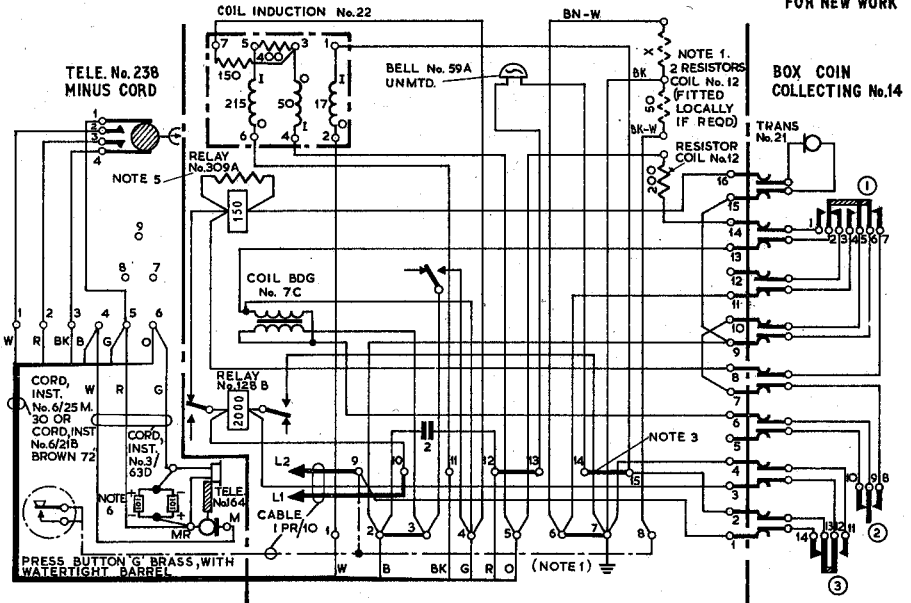
NOTES :-

1. Where emergency calling facilities are required, omit strap between terminals Nos. 6 & 7. Fit resistor coils and button wired as shown by chain lines. The value of coil "X" is,  $350\Omega$  for 22v CB exchanges,  $1000\Omega$  for 40v CB exchanges, or CB 22v exchanges using 30v on calling equipment. (Dgm CB.1241 refers).
2. Remove strap and connect extension bell between terminals Nos. 14 & 15 when required.
3. For Public Ccts. use Box, Coin Collecting No.14D complete and Cord Inst.No.6/25M Bn 30". For Subscribers Ccts. use Box, Coin Collecting No.14E and Cord Inst.No.6/21B Bn 72".
4. To operate only when negative connected to L1 and positive to L2.
5. These springs are operated by the insertion of coins and released by the "A" or "B" button.
6. These springs are operated by the correct weight of coins and released by the "A" or "B" button.
7. These springs are operated by the depression of "B" (Refund) button.
8. On Public Ccts. fit two rectifier elements No.101, suitably insulated, in the transmitter cavity of the Tele.No.164.

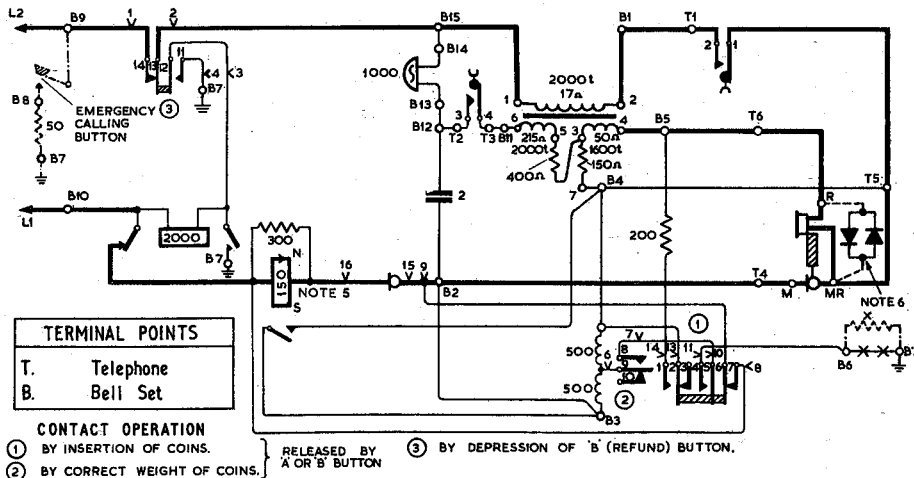
**CALL OFFICE CIRCUIT**  
**CALL OFFICE CIRCUIT PLAN No.5A OR SUBSCRIBERS**  
**DIRECT EXCHANGE LINE WITH COIN BOX.**  
**PREPAYMENT WORKING.**  
**MANUAL CB SYSTEM.**

BELL SET No. 35

**N 2406**  
**PAGE 3-4**  
**ISSUE F**  
 SUPERSEDED  
 BY N 2406  
 PAGES 1 & 2  
 FOR NEW WORK



**EXPLANATORY DIAGRAM**



Post Office  
 Telecomms.  
 Headquarters  
 M 2. 2. 3.  
 Paper Y  
 Circulation  
**C.B. & AUTO.**

<b>ISSUES</b>			
	F	NEW FORMAT <i>etc.</i>	26-6-68
	E	RECT 101 AND NOTE 6 ADDED	6-6-67
		E.S.R. S.1.	22-12-35

N. 2406

PAGE 4-4

ISSUE F

NOTES:-

1. Where emergency calling facilities are required, omit strap between terminals Nos. 6 & 7. Fit resistor coils and button wired as shown by chain lines. The value of coil "X" is 350 $\Omega$  or 1000 $\Omega$  for 22v or 40v systems respectively.
2. All earth connections are wired from terminal No.7 on bell set. (4 connections).
3. Remove strap and connect extension bell between terminals Nos.14 & 15 when required.
4. For Call Office Circuits use "Box, Coin Collecting No.14D", also Cord Inst.No.6/25M 30". For Subscribers Circuits use "Box, Coin Collecting No.14E", also Cord Inst.No.6/21B Bn 72".
5. To operate only when negative connected to L1 and positive to L2.
6. On Call Office Circuits, fit two rectifier elements No.101, suitably insulated, in the transmitter cavity of the Tele.No.164.