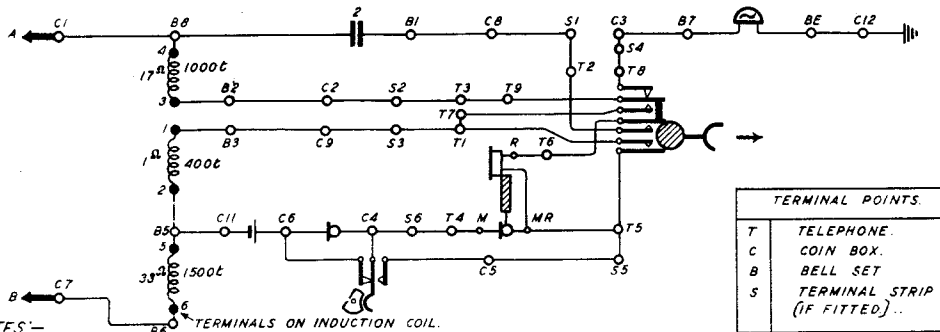




EXPLANATORY DIAGRAM FOR CBS. No.1 SYSTEM.



NOTES:-

TERMINALS ON INDUCTION COIL.

1. REMOVE STRAPS BETWEEN TERMINALS 1 AND E ALSO TERMINALS 6 AND 7 ON BELL SET No. 21.
2. IF AN EXTENSION BELL IS REQUIRED IT SHOULD BE CONNECTED IN SERIES WITH THE NORMAL BELL.
3. THE CONNEXIONS BETWEEN THE STRIP CONNEXION IN "BOX, CASH No. 12 OR No. 13" AND THE SPRING ASSEMBLY ON THE "BOX, COIN COLLECTING No. 16" SHOULD BE MADE LOCALLY.
4. WHEN THE EQUIPMENT IS FITTED IN A KIOSK OR CABINET "CORD, INST. No. 6/25 M 30" SHOULD BE USED. THE CORD SHOULD BE PASSED THROUGH A HOLE IN THE WALLBOARD IMMEDIATELY BEHIND THE "TELE No. 196 MINUS CORD" AND TERMINATED DIRECT ON THE CONNEXION STRIP IN THE "BOX, CASH No. 12 OR No. 13". WHEN THE "TELE. No. 196 MINUS CORD" IS REQUIRED TO STAND ON A DESK OR TABLE (IN SUBSCRIBERS PREMISES) A "CORD INST. No. 6/21 B BROWN 54" SHOULD BE USED AND A "STRIP FLEX, CORD CONN. 6 TERMINAL" FITTED IF NECESSARY.
5. PROVIDE ACCORDING TO TRANSMISSION REQUIREMENTS:- (a) FOR PUBLIC CALL OFFICE CIRCUITS - CELLS LECLANCHE DR 2 (2 OR 3) AND HOUSE IN BOX BATTERY LECLANCHE WK 2. 2 CELL C. O. (b) FOR SUBSCRIBERS DIRECT EXCHANGE LINE - 2 OR 3 CELLS LECLANCHE WK 4, WK 2, OR WK 1.
6. A "BACKBOARD FOR BOX, COIN COLLECTING No. 16A" WILL BE REQUIRED WITH "BOX, COIN COLLECTING No. 16A COMPLETE" WHEN THE LATTER IS FITTED TO A DESK OR TABLE.
7. THE MECHANICAL FEATURES OF THE "BOX, COIN COLLECTING No. 16" ARE SHOWN IN DIAGRAM N. 1184.
8. THIS DIAGRAM WILL CONTINUE TO BE USED FOR (a) THE PROVISION OF SUBSCRIBERS D.E.L.'s. ALSO P.M.B.X. EXTENSIONS WORKING TO CORDLESS SWITCHBOARDS (BOTH WITH COIN BOX), AND (b) THE MAINTENANCE OF PUBLIC CALL OFFICES SO CONNECTED.