

1. APPARATUS REQUIRED

TABLE 1

INSTALLATION	RECTIFIER	BATTERY	RINGING SUPPLY	CABLING DISTRIBUTION	POWER FAIL ALARM
2/2A WITHOUT UAA'S	No. 94A (N 663) No. 98A (N 679) No. 61B (N661)	BATTERY UNIT No. 2A (N 658) 24 CELLS SEC No. 21/30	CONVERTER RINGING No. 10A (N 676)	SEE FIG. 1 UAA No. 101A (N 677) SEE FIG. 2	LAMP ALARM INDICATING No. 7A (N 2331) (NOTE 1)
2/2A WITH UAA'S					
2/3A WITHOUT UAA'S					
2/4A WITHOUT UAA'S					
2/4A WITH UAA'S					

ALL APPARATUS TO BE PROVIDED IN ACCORDANCE WITH THE RELEVANT N DIAGRAMS QUOTED IN TABLE 1

2. BLOCK SCHEMATIC OF INSTALLATIONS

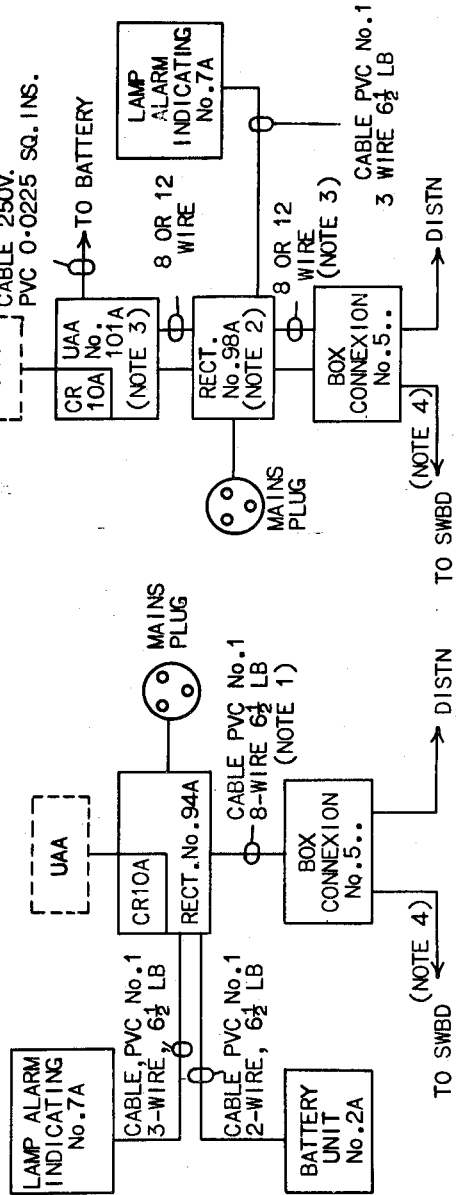


FIG. 1

FIG. 2

ISSUE		
A	NEW FORMAT.	5-5-66
	R.C.C. STEVEZS	23-4-65

P.O.E.D.
S. BCH.

PAPER W
CIRCULATION
GENERAL

2. BLOCK SCHEMATIC OF INSTALLATIONS (CONTD)

- NOTES:-
- THIS CABLE IS TERMINATED AS FOR N1102 OR N1103 AS APPROPRIATE EXCEPT THAT THE + AND - TERMINALS OF THE POWER UNITS THEREIN ARE REPLACED BY THE + AND - OF THE RECTIFIER No.94A AND THE *START LEADS APPLY. THE + AND - TO THE CONVERTER RINGING No.10A SHOULD BE OBTAINED FROM THE + AND - OF THE RECTIFIER No.94A. THE LAMP ALARM INDICATING No.7A SHOULD BE PROVIDED IN ACCORDANCE WITH FIG.3.
 - WHEN RECTIFIER No.61B APPLIES IT IS MOUNTED REMOTE FROM THE WALL MOUNTED ANCILLIARY EQUIPMENT. IN THIS INSTANCE THE BATTERY LEADS ARE TEED AT THE BATTERY AND NOT IN THE UAA No.101A.
 - THE 8 OR 12 WIRE POWER CABLE SHOWN ON N1103 OR 1104 SHOULD BE TERMINATED NORMALLY IN THE BOX, CONNEXION No.5 AND AS GIVEN IN TABLE 2.
 - THE MAXIMUM CABLING DISTANCE BETWEEN THE BOX CONNEXION No.5 AND THE SWITCHBOARD SHOULD NOT EXCEED 100 FEET.

TABLE 2

INSTALLATION		UAA No. 101A TERMINALS			CONVERTER RINGING No. 10A TERMINALS				
PMBX No.	CABLE SIZE	-1	-2	-3	+	3	4	5	6
2/3A WITH UAA's	8-WIRE	-	WHITE OF BLUE	BLUE	ORANGE PAIR	BROWN	WHITE OF BROWN	GREEN	WHITE OF GREEN
2/4A WITH-OUT UAA's	12-WIRE	BLUE PAIR ORANGE PAIR	-	-	GREEN PAIR BROWN PAIR	BLUE-WHITE	WHITE OF BLUE-WHITE	SLATE	WHITE OF SLATE
2/4A WITH UAA's	12-WIRE	BLUE PAIR	WHITE OF ORANGE	ORANGE	GREEN PAIR BROWN PAIR	BLUE-WHITE	WHITE OF BLUE-WHITE	SLATE	WHITE OF SLATE

3. CONNEXION OF LAMP ALARM INDICATING No.7A

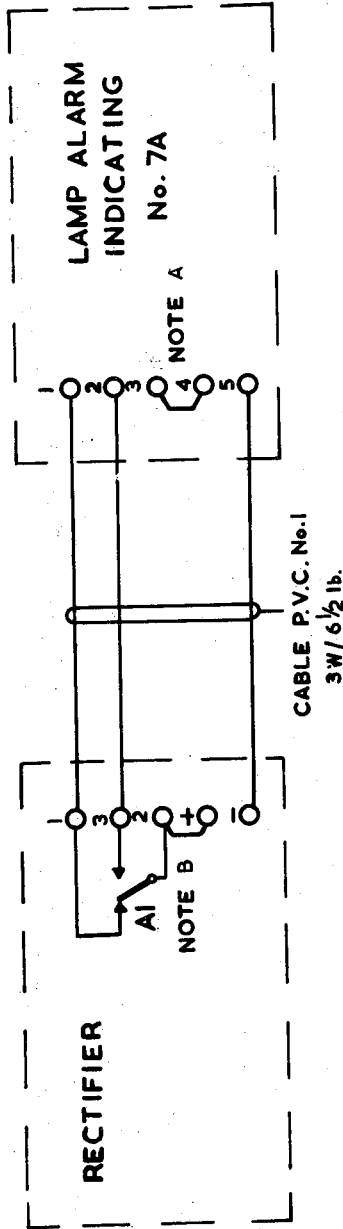


FIG. 3

NOTES:-

- A. PROVIDE STRAP IF BUZZER IS REQUIRED ON 'POWER RESTORED.'
- B. PROVIDE STRAP IN RECTIFIER No.94A OR No.98A SEE N661 FOR RECTIFIER No. 61B ALARM CONTACT ARRANGEMENTS.