

LAMP ALARM INDICATING No.7A

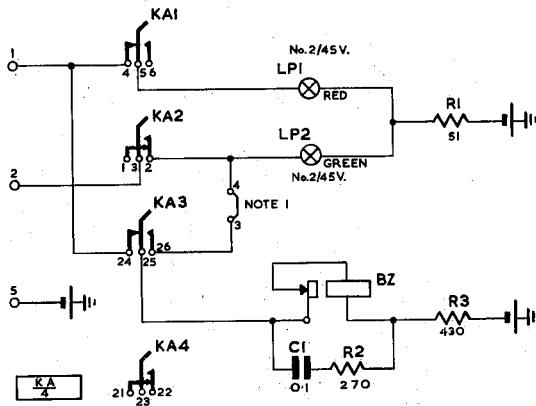
N 2331

ISSUE B

NOTES:-

1. PROVIDE STRAP IF BUZZER IS REQUIRED ON 'POWER RESTORED.'
2. RESISTOR R2 AND CAPACITOR C1 ARE COMPONENT PARTS OF BUZZER No.2B-1, HOWEVER IN THIS INSTANCE THEY ARE REMOVED FROM THE BUZZER AND MOUNTED SEPARATELY.

APPARATUS SCHEDULE	
CCT. CODE	ITEM
BZ	BUZZER No.2B-1
C1	NOTE 2
R2	
KA	RESISTOR, CARBON No.26 G.C. 270Ω.
LPI,2	KEY No.1301
	HANDLE KEY No.18/14
	JACKS LAMP No.57A
	LAMP No.2 45V.
	COVER LAMP No.6A
	CAP. LAMP No.79A RED
R1	CAP. LAMP No.79A GRN.
	RESISTOR COIL No.35A-51Ω.
R3	RESISTOR COIL No.35A-430Ω.



P.O. TELECOMMS. HQRS.

PAPER :- W
CIRCULATION
GENERAL

ISSUE

B	R3 WAS 680Ω.		25-4-68
A	NEW FORMAT.		5-5-66
	E.C.C. STEVENS.	TDI.5.2.	23-4-65