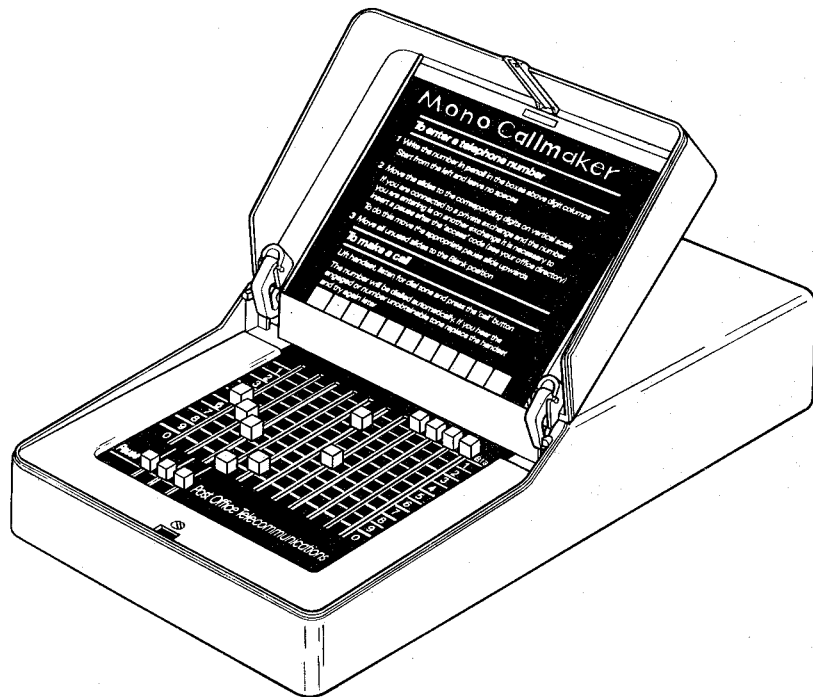


FIG.1 AUTODIAL No.40IA



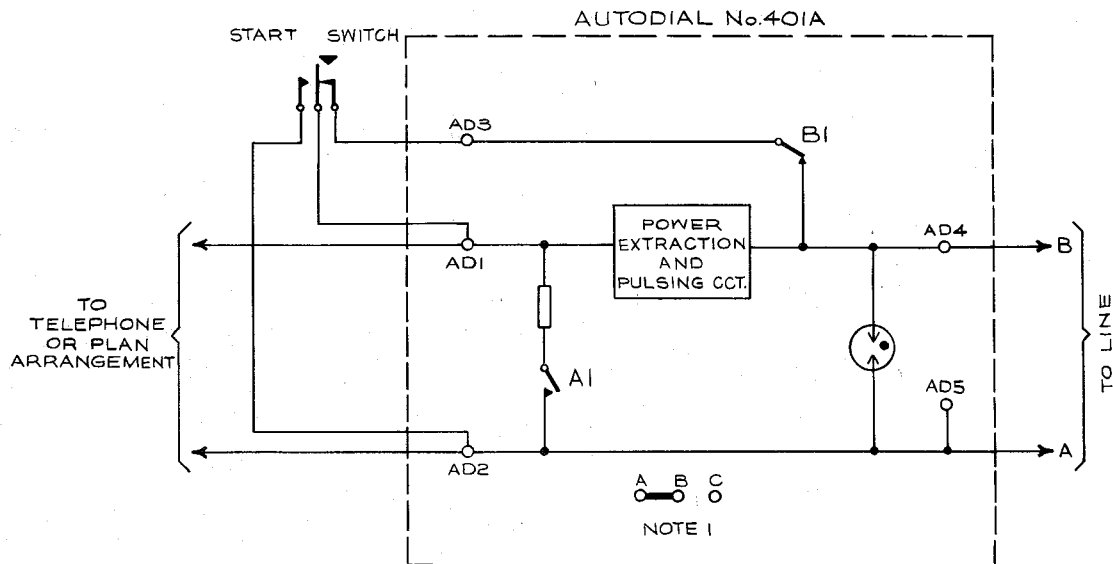
CONTENTS

AUTODIAL No.40IA FIG.1
 AUTODIAL No.40IA EXCLUSIVE SERVICE FIG.2
 AUTODIAL No.40IA SHARED SERVICE FIG.3

REFERENCES :—

FACILITIES TI B4 M0056
 INSTALLATION TI C3 S0401
 MAINTENANCE TI E5 F3214

EXPLANATORY



NOTES:—

- 1 FOR 2-SECOND PAUSE STRAP TERMINALS A & B AS SHOWN.
FOR 5-SECOND PAUSE MOVE STRAP TO TERMINALS B & C.
- 2 FOR EXTENSION BELL REMOVE STRAP BT3-BT4, CONNECT BELL TO BT9-BT10.
- 3 FOR EXTENSION BELL REMOVE STRAP BT2-BT3, CONNECT BELL TO BT8-BT9.

PO	ISSUE		
TELECOMMS			
HQRS			
PAPER:— W			
DISTN:—			
GENERAL			
		TD 7-1-3	18-7-79

FIG. 2a AUTODIAL No.401A— EXCLUSIVE SERVICE

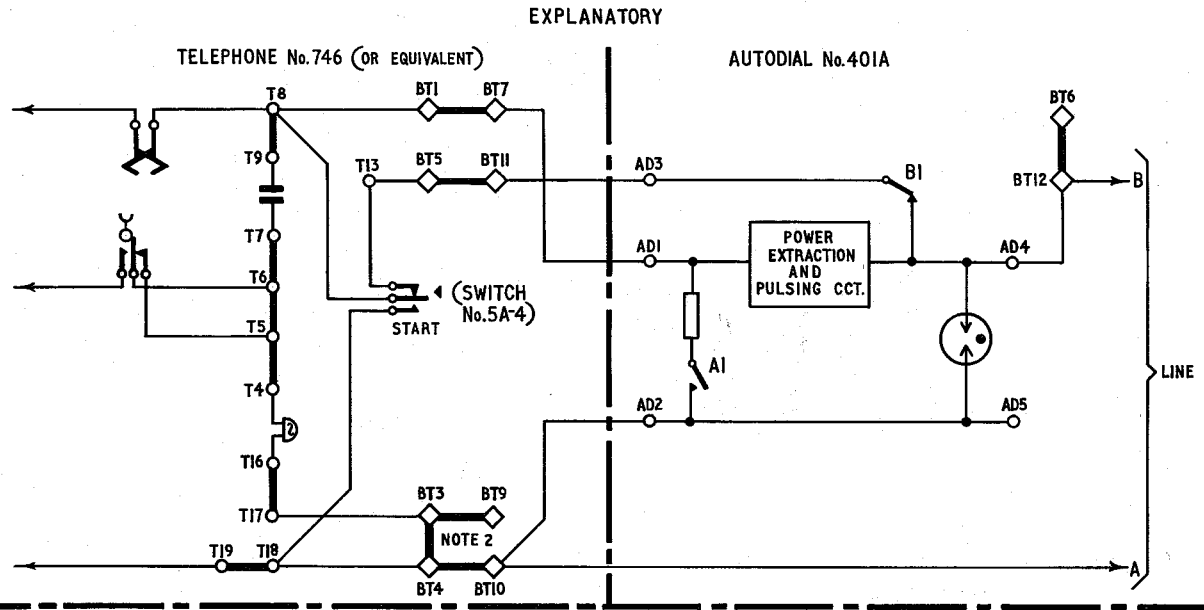
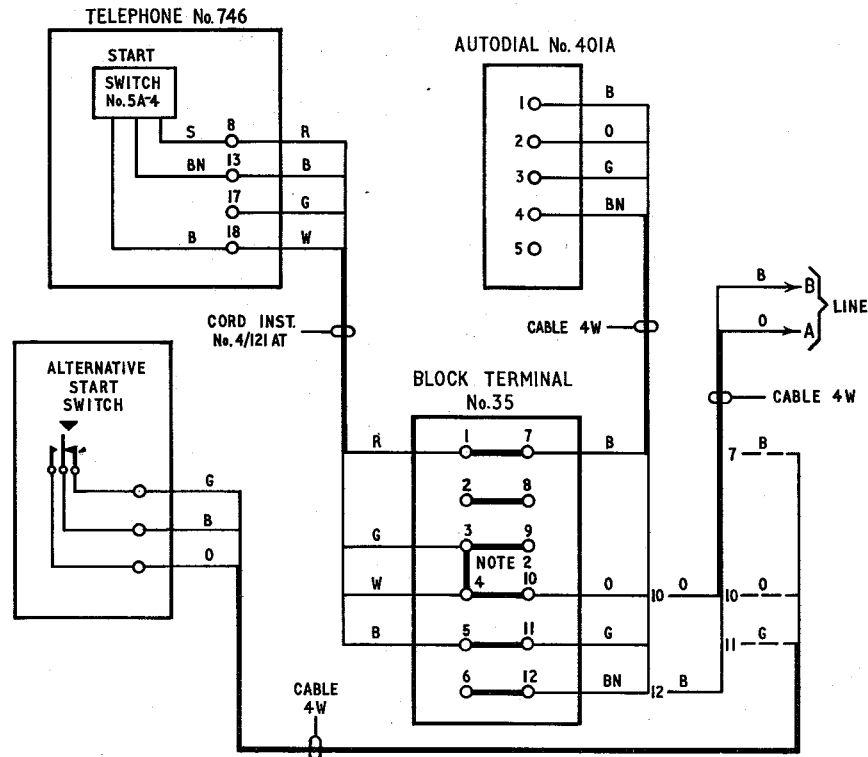


FIG. 2b WIRING



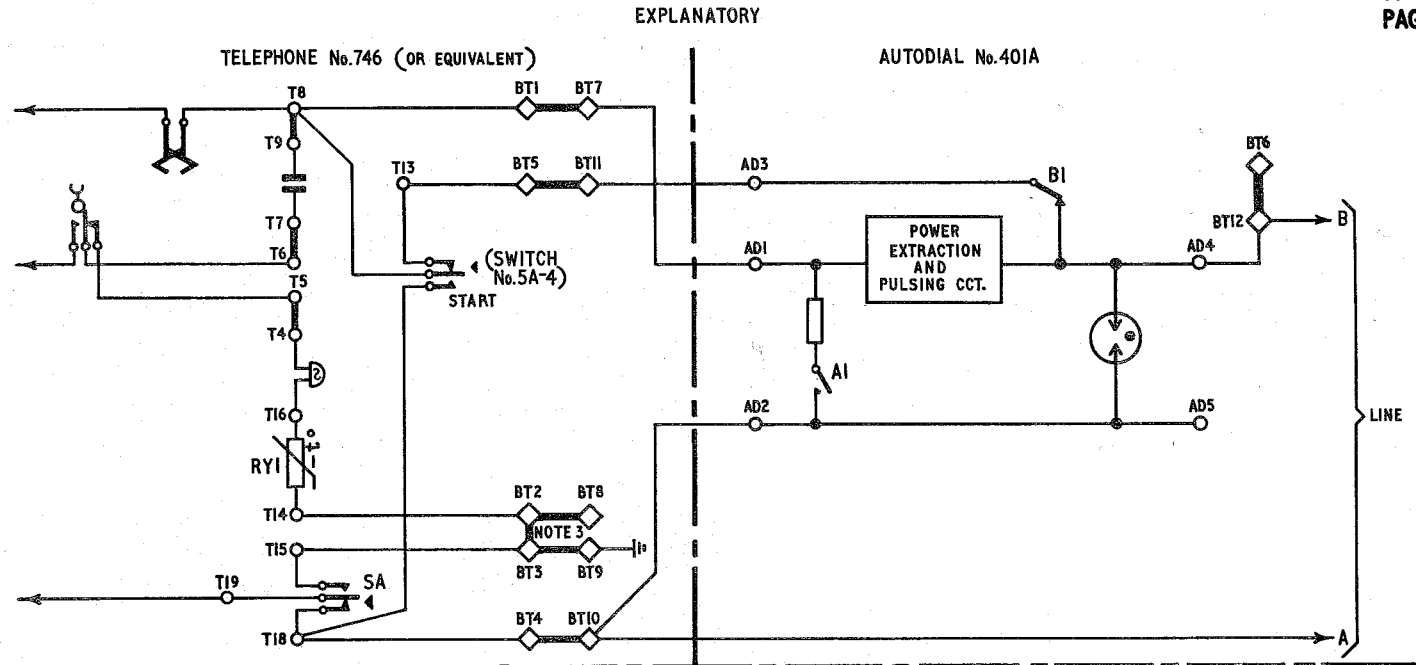


FIG. 3b WIRING

