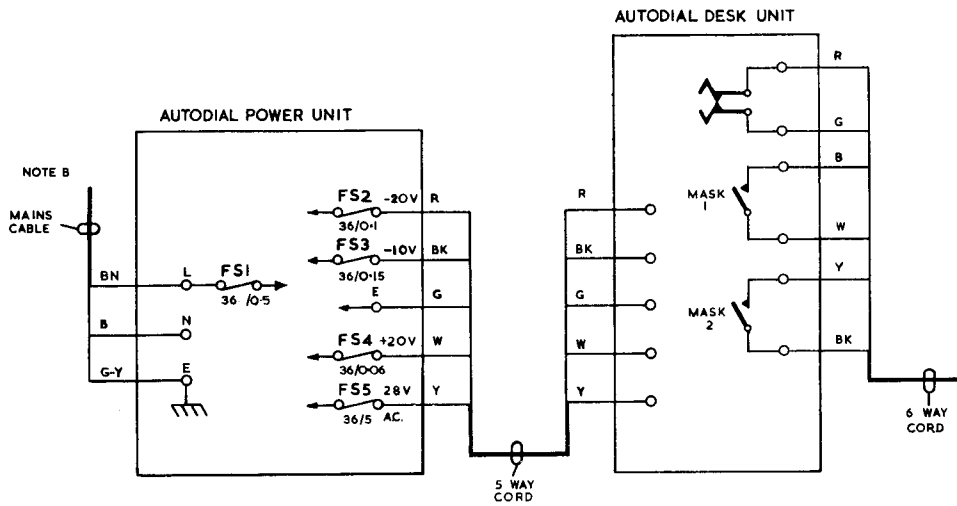


NOTES:-

1. The Autodial No201A consists of a Desk Unit (Translator), a Power Unit and a Dial Unit.
2. Early models used a different Power Unit which had no fuses.
3. For further installation details see TI C3 Internal M0040.
4. For maintenance replacement of cords, lamps, fuses etc. see TI E5 Stations F3212.

P.O. TELECOMMS. HQRS.			
PAPER:- W	ISSUE	C FIG.2a WAS FIG.3. NEW FIG.3 AND NOTES 3 & 4 ADDED. REFERENCES CHANGED. MINOR AMENDMENTS. <i>MS</i>	28-4-75
CIRCLTN. :-		B MINOR AMENDMENTS <i>MS</i>	15-2-74
GENERAL		A FSI WAS 36A/1 FIG.1 CORRECTED <i>MS</i>	29-1-73
		T02.3.2. SECTION	19-2-70

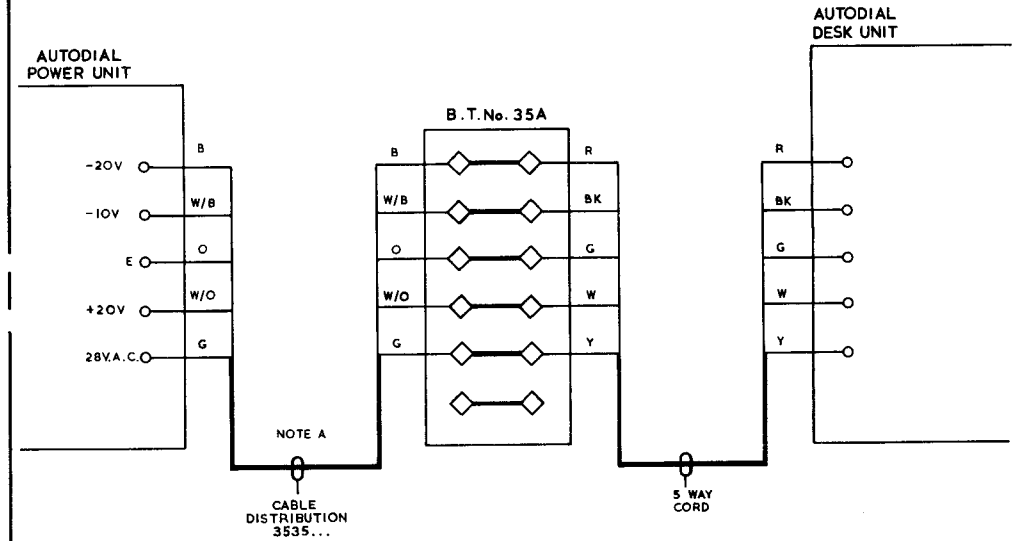
FIG.1 AUTODIAL No.201A. SIMPLIFIED SCHEMATIC



NOTES :-

- A. A mains plug to suit the subscribers socket outlet should be supplied.
- B. Early models of the power unit have no fuses.
- C. When the power unit is on, but the dialler disconnected all DC voltages will rise to approx 31v.
- D. Both 20v outputs are nominal. Under operating conditions the + 20v will normally maintain +28v.

FIG.1A AUTODIAL No.201A WITH REMOTE POWER UNIT



NOTE :-

- A. This cable run should not exceed 30 ft.

FIG. 2 AUTODIAL No.201A CONNECTED TO A 700 TYPE TELEPHONE.

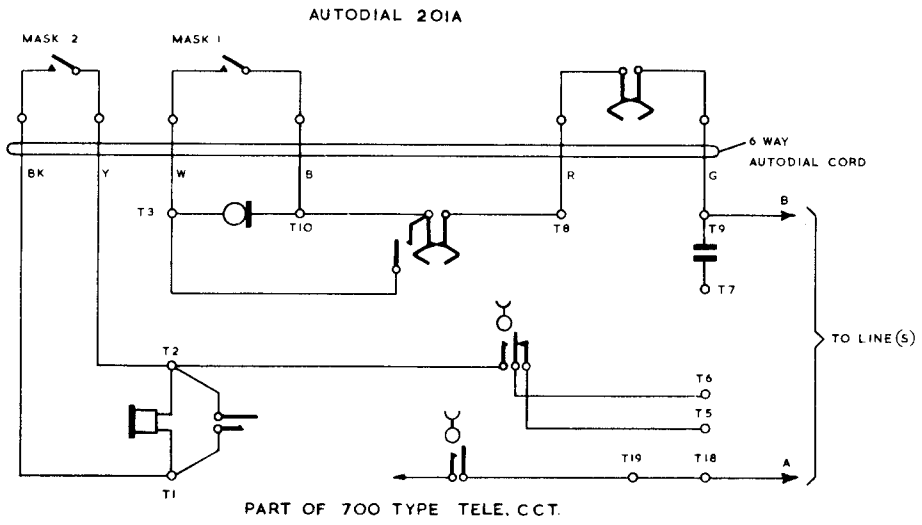
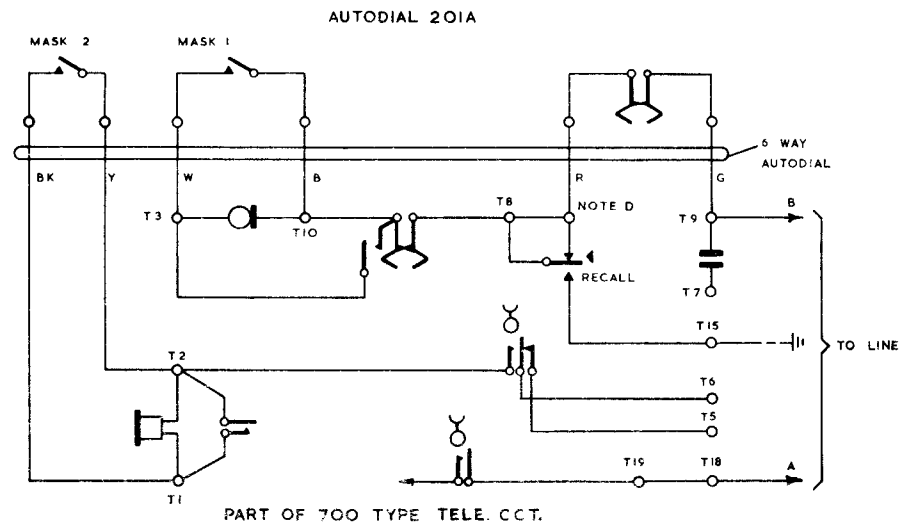
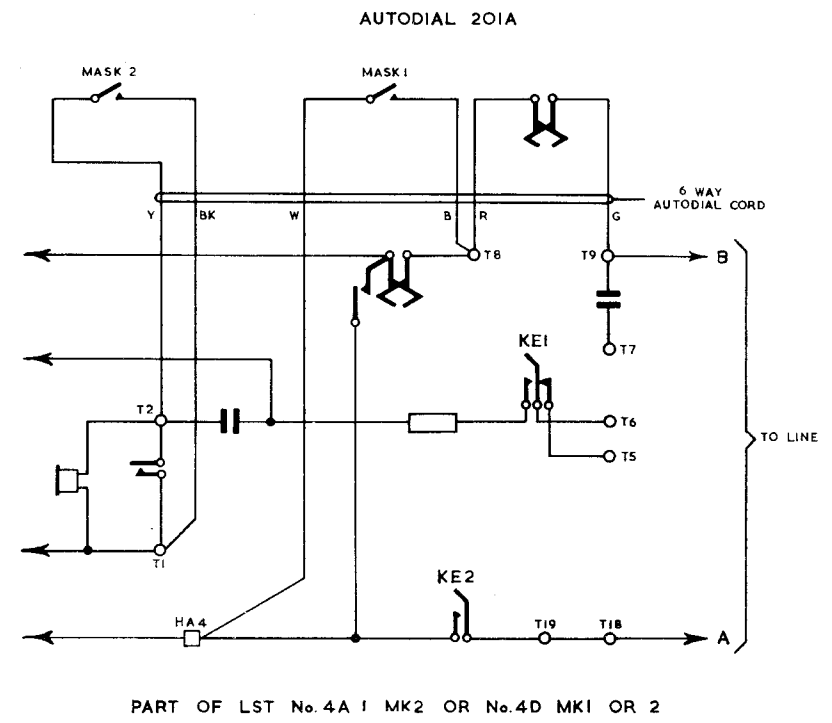


FIG.2a AUTODIAL No. 201A CONNECTED TO A 700 TYPE TELEPHONE P.B.X. RECALL.



- NOTES:—
- A Access to the telephone is through the hole in the base normally used for a watch receiver.
  - B To avoid strain on the cable conductors the autodial cable should be secured inside the telephone in a convenient manner.

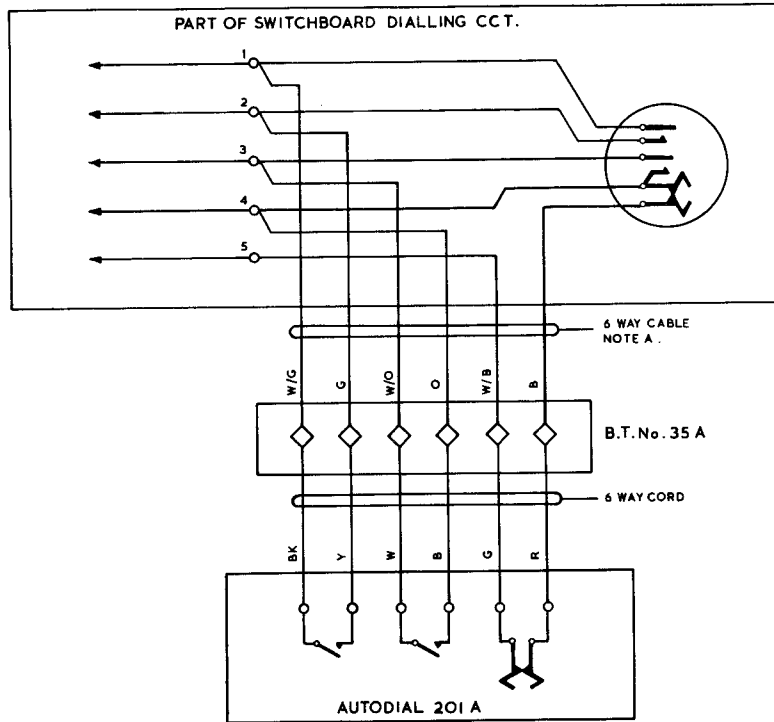
FIG.3 AUTODIAL No.201A CONNECTED TO LST No. 4...



- NOTES:—
- A For LST No. 4A-1 MK 1. Use Terminal HA 10 in place of HA 4 and Terminal HA 8 in place of T1.
  - B The remainder of the telephone straps are as shown in the appropriate N Dgm.

- C The remainder of the straps in the telephone are as shown in the appropriate N Dgm.
- D A suitable spare terminal should be used and the strap be in accordance with Dgm N806 or N846 as applicable.
- E For connexion to a telephone which forms part of an extension plan arrangement use the same principles as shown in Fig.2 or 2a.

FIG. 4 AUTODIAL No. 201A TO SWITCHBOARD DIALLING CIRCUIT



NOTE:-

A. The cable used should be Cable Distribution 3535... and should not exceed 30 ft. in length.

FIG. 5 VIEW OF AUTODIAL FROM REAR. CORD CONNEXIONS

