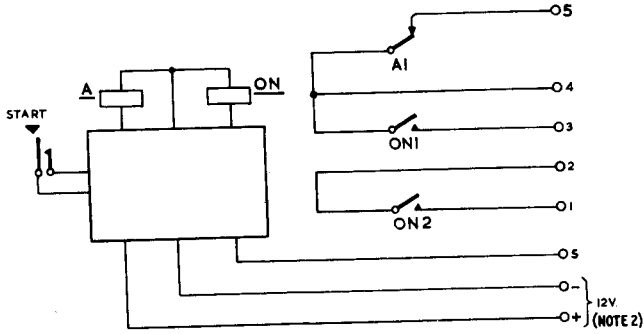


# SENDER No.5A

CONNEXION DETAILS (NOTE 1)

N2309

ISSUE A



NOTES:-

1. As the connexion details for the sender No. 5A are similar to those for the sender No. 1, except battery voltages, diagram N 2307 should be used for installation purposes.
2. The battery should be made up of 4 batteries Dry No. 11, and should be located in the most convenient position. A suitable housing should be made up locally if necessary.

P.O.E.D.  
S BCH.

PAPER : R

CIRCULATION :  
**SPECIAL**

ISSUES			
	A	NEW FORMAT A1 AMENDED	25.1.67
		J.H. COMBRIDGE	13.1.65