

NOTES

(See also N681 and E.I. Tel.E. Stns. G 3102)

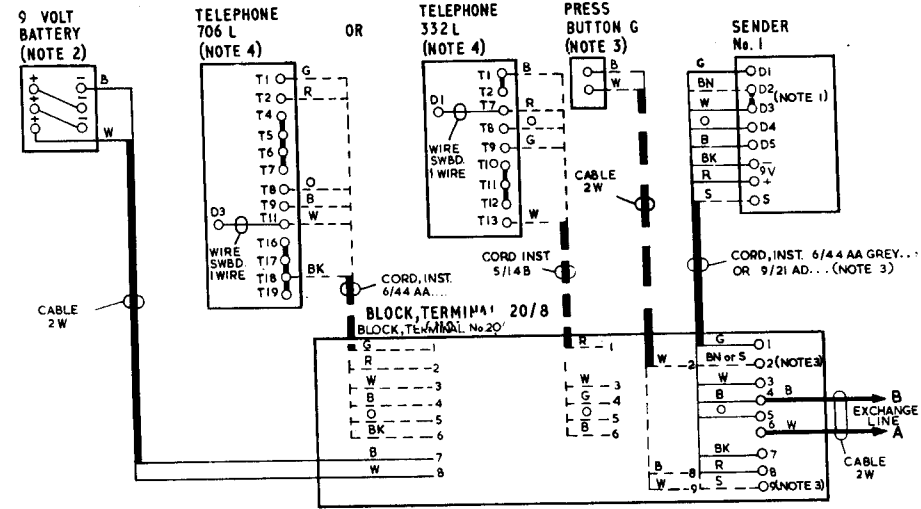
1. Strap D2 & D3 in Sender No.1 when Tele. No.232 or Tele. No.332 is used.
2. The battery should be made up of 3 Batteries Dry No.11 and should be located in the most convenient position. A suitable housing for the battery should be made up locally if necessary.
3. In exceptional circumstances an External Start Button may be wired between the 'S' terminal and +VE battery terminal when the following changes will become necessary:-  
 Tele.232 - Replace Cord, Inst. 6/44 AA Grey... by Cord, Inst. 9/21 AD.... and connect 'S' terminal on Sender No.1 to BT3.  
 Tele.332 - Replace Cord, Inst. 6/44 AA Grey... by Cord, Inst. 9/21 AD.... and connect slate wire from 'S' terminal on Sender No.1 to BT2. The Press Button G is then connected between BT2 and BT8.  
 Tele.706 - Cord, Inst. 9/21 AD.... is always used with Tele.706 with the brown wire connected between D2 on the Sender No.1 and BT2. To provide an external Start Button the Block Terminal No.20/8 must be replaced by a Block Terminal No.20/12 and the slate wire connected from 'S' Terminal on Sender No.1 to BT9. The Press Button G is then connected between BT8 and BT9.

The spare conductor or conductors in the Cord, Inst. 9/21 AD.... should be cut off.

4. In Tele. No.332 connect D1 to T7. In Tele. No.706 connect D3 to T11. Wire, Swbd. 1 Wire should be used for these connexions.
5. In general on Extension Plans only one Sender No.1 should be provided. The sender should be fitted at the main station with auxiliary Start Buttons (Press Button G) at the extensions (See Page 2).

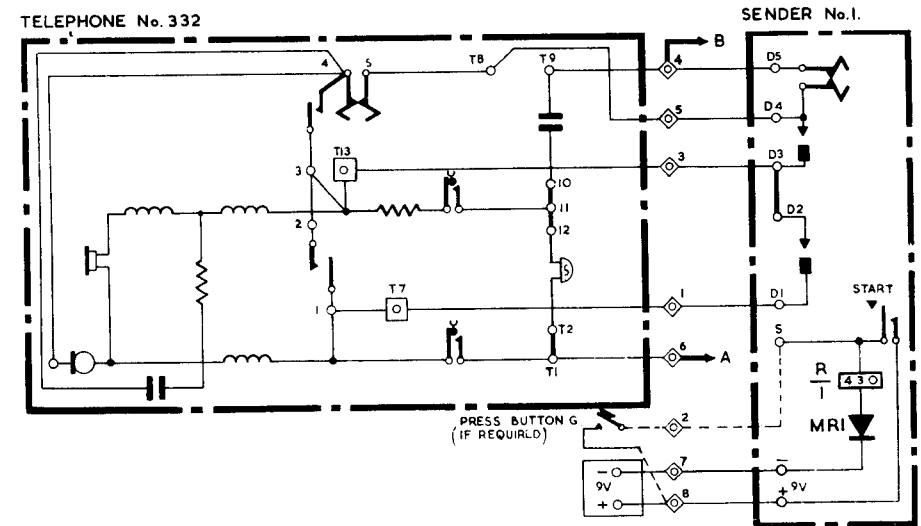
WIRING

SENDER No.1. WITH TELE. 332 L OR TELE. 706 L



EXPLANATORY

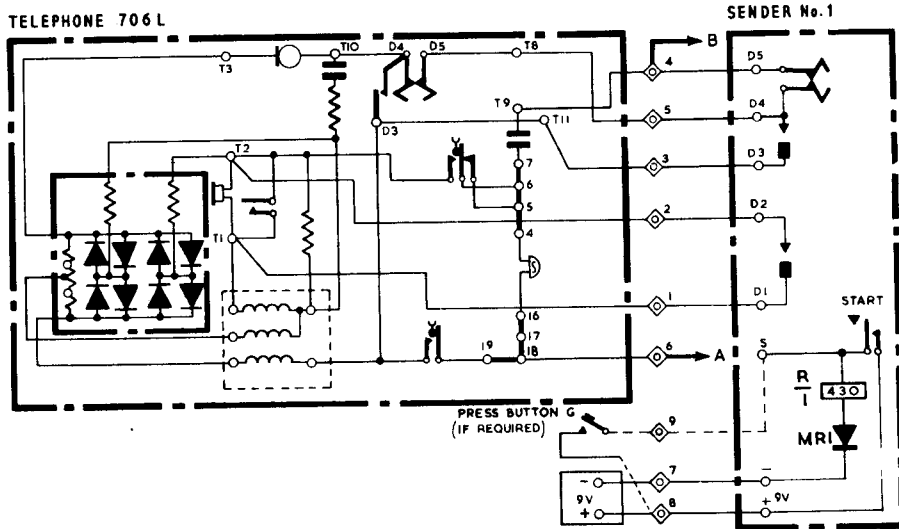
SENDER No.1 & TELE. 332



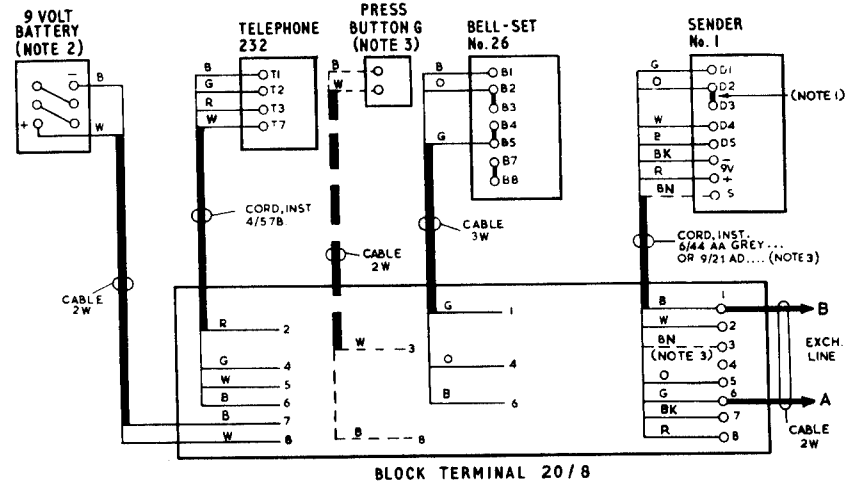
P.O.E.D. S BCH.			
PAPER: W CIRCULATION GENERAL	ISSUES	B	NEW FORMAT <i>13-7-67</i>
		A	PANEL 7 ADDED MADE WHITE <i>31-1-66</i>
			J. H. COMBRIDGE <i>19-9-61</i>

**EXPLANATORY  
SENDER No.1 & TELE. 706 L**

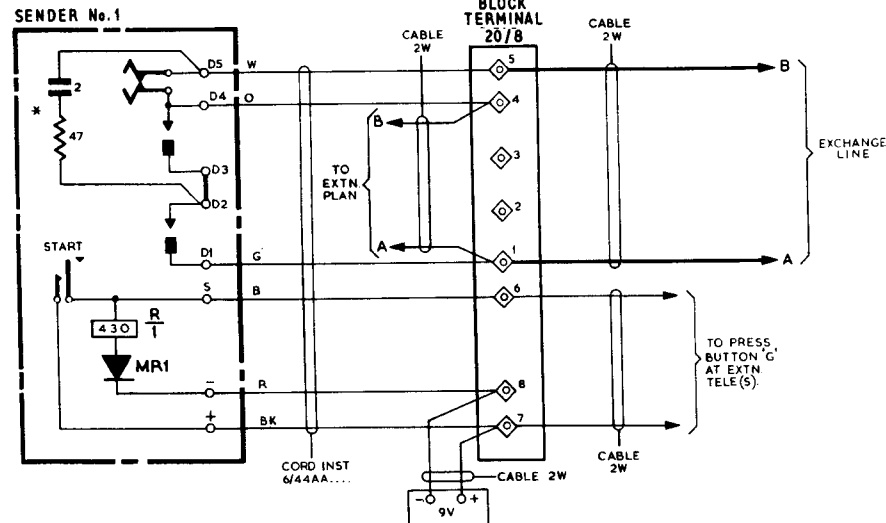
TELEPHONE 706 L



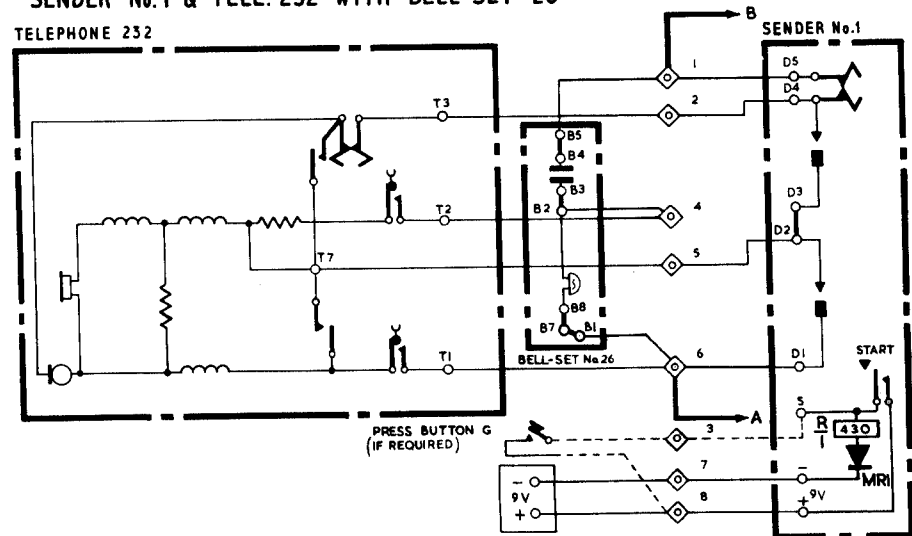
**WIRING  
SENDER No.1 WITH TELE. 232 & BELL SET 26**



**EXPLANATORY  
SENDER No.1. ON EXTENSION PLAN (NOTE 5)**



**EXPLANATORY  
SENDER No.1 & TELE. 232 WITH BELL SET 26**



\* CAPACITOR No.8007 AND RESISTOR CARBON No.1 47Ω TO BE FITTED LOCALLY