

FIG.IA. SWITCHBOARD PMBX. No. 4/1A

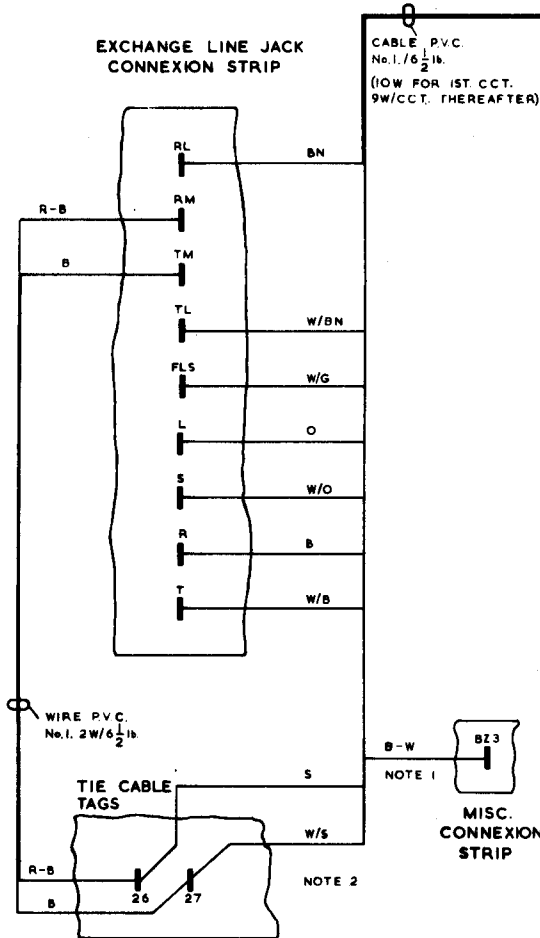


FIG.IB. CABLING

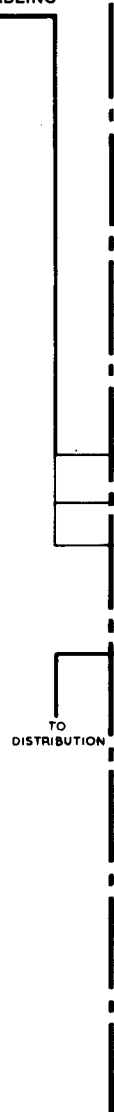


FIG.IC. UNIT SIG. SA 7616 (SEE DGM. SA 7616)

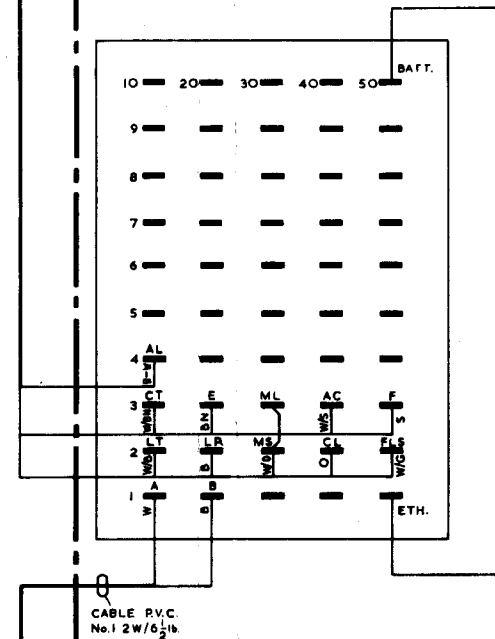


TABLE 1 STORES REQUIRED

ITEM	SINGLE POSITION INSTALLATION	MULTIPLE SUITES
UNIT SIGNALLING SA 7616	AS REQD.	AS REQD.
STRIP CONNEXION No.150/6A&151/8A	—	1 EACH PER. 10 U.S. SA 7616
CABLE P.V.C. No.1. — W/ $6 \frac{1}{2}$ lb.	AS REQD.	AS REQD.
WIRE P.V.C. No.1. 2W, 4W, 5W, $1/6 \frac{1}{2}$ lb.	2W ONLY	2W, 4W & 5W

CABLE P.V.C. No.1. $4W/6 \frac{1}{2}$ lb. BUNCHED TO FUSE UNIT No. 2A. (4 CCTS. PER FUSE.)

NOTES:

1. Provide Blue-White, BZ3-Tag4, For E/L 13 only. Common all U.S. SA 7614 Tags 4 with spare wire.
2. The break springs of the jack are taken via tie cable tags to avoid recabling if the installation is extended to a multiple suite. Tags for E/L 13 shown, for other ccts. use tag 28 onwards.

PO. TELECOMMS. HQRS.		
PAPER:-W	ISSUE	
CIRCLTN:-GENERAL.		
	869. <i>[Signature]</i>	T0152
		13.3.68

FIG. 2 MULTIPLE SUITES.

FIG. 2A. SWITCHBOARD PMBX. No. 4/1A
(LAST POSITION OF SUITE)

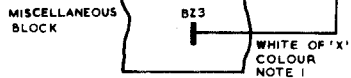
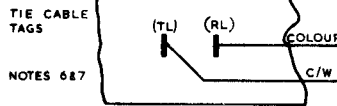
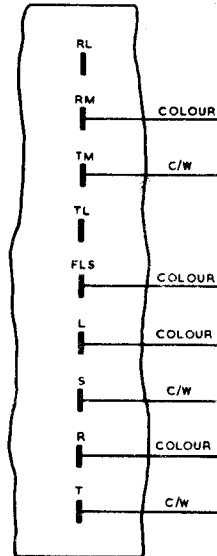


FIG. 2B. MOUNTING D92221

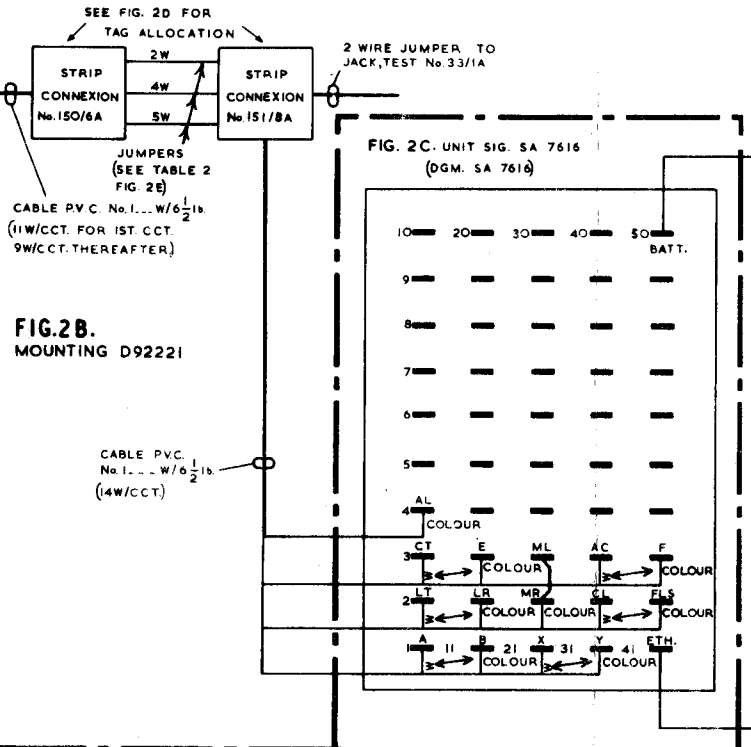


FIG. 2C. UNIT SIG. SA 7616
(DGM. SA 7616)

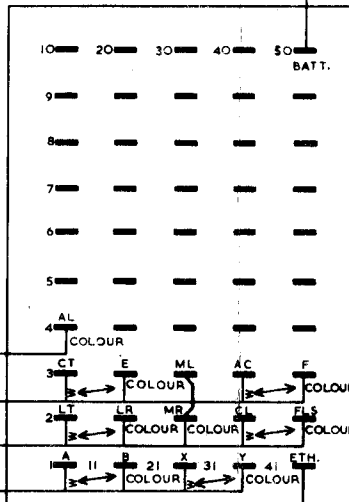
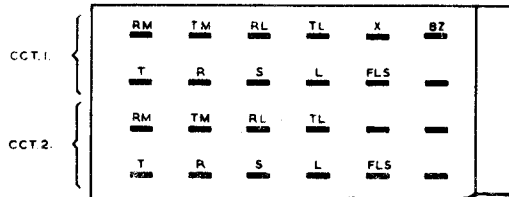


FIG. 2E.

TABLE 2

SWBD. SIDE	U/S SIDE	JUMPERS
T	LT	W
R	LR	R
S	MS	G
L	CL	B
FLS	FLS	R-B
RM	F	W
TM	AC	R
RL	E	G
TL	CT	R-G
X	Y	B
BZ	AL	R-B
	A	B
	B	R-B
X		NOTE 2

(i) STRIP CONNEXION No. 180/6A (SWBD. SIDE)



OTHER CCTS. SIMILAR TO CCT. 2. SEE NOTE 5

(ii) STRIP CONNEXION No. 151/8A (U/S SIDE)

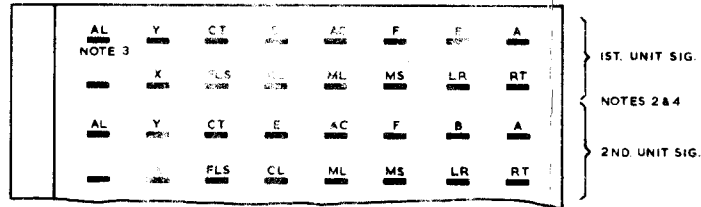


FIG. 2D. ALLOCATION OF STRIP CONNEXION TAGS IN MTG. D92221.

NOTES:-

1. Termination BZ3-BZ is cabled once only.
2. Strap 1st.X-2nd.Y, 2nd.X-3rd.Y, etc. when FLS is required.
3. Common together all AL tags.
4. When U/S is first circuit of an FLS group strap E-Y and then as note 2.
5. X is cabled out to the distribution frame, the last exchange line relay set in switchboard suite (normally in the last position).
6. For E/L 25-36 on 2-position installations use tie cable tags 1-8. For E/L 37-40 on 2-position installations use tie cable tags 1-8 in position 1 to 26-33 in position 2., for E/L 37-40 on 3 position installations use tags 1-8 in position 1 to 51-58 in position 3.
7. Jumper tie cable tags 51-74 or 1-8 in position 1 to E/L jacks as required.