

SUPERVISORY FLASHING CIRCUIT FOR GENERATOR SIGNALLING CIRCUITS AT P.M.B.X. No.4 AND P.M.B.X. No.11 INSTALLATIONS (NOTE A)

N2246
ISSUE A

APPARATUS REQD.		
REF.	ITEM	QTY.
	CASE No.131A	1
CI	CAPACITOR - ELECTROLYTIC No.3137	1
FL	RELAY No. 16648	1
FLA,FLB	RELAY No. 3249	1 OR 2
RI	RESISTOR COIL No.9 510.Ω	1
	SCREW 4 B.A. X 1/4 RD.HD.	2
SCA	STRIP, CONNEXION No. 121A	1
SCB	STRIP, CONNEXION No. 145 DN	1
DI-10	VALVE ELECTRONIC - CV8308	5 OR 10
	WIRE EQUIPMENT 15...	—
	PART 1/SPO/1	1
	CLIP No. 56D	1
	SCREW, 3 B.A. X 1/4 CH. HD.	1

(NOTE C)

(NOTE C)

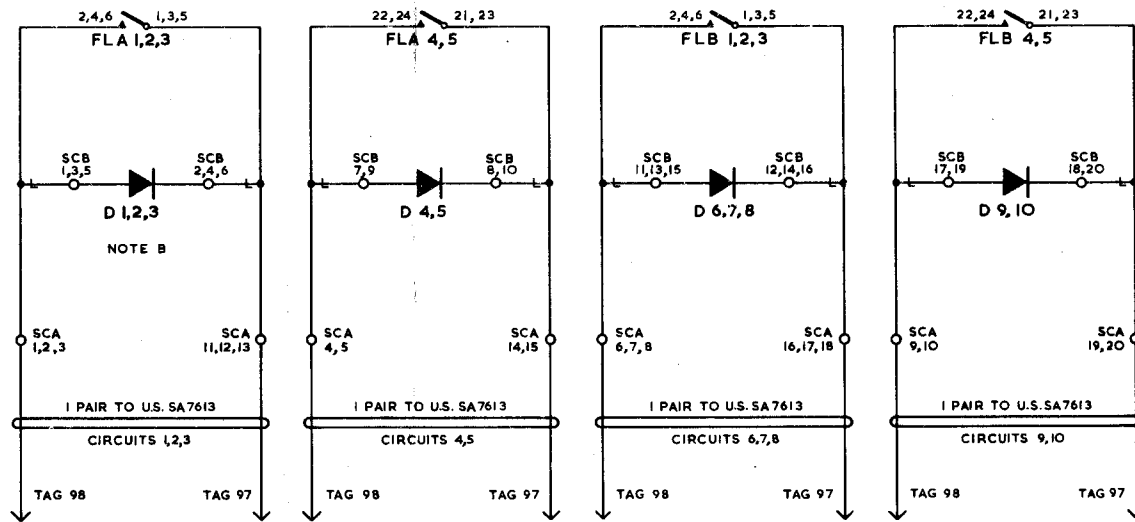


FIG. 2. CIRCUIT WIRING.

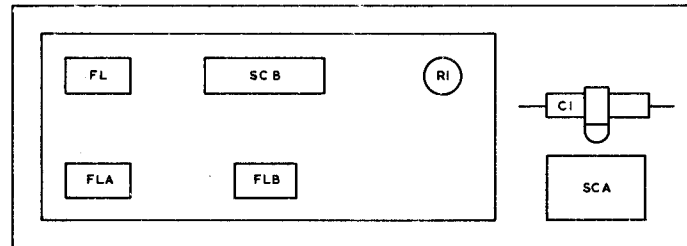
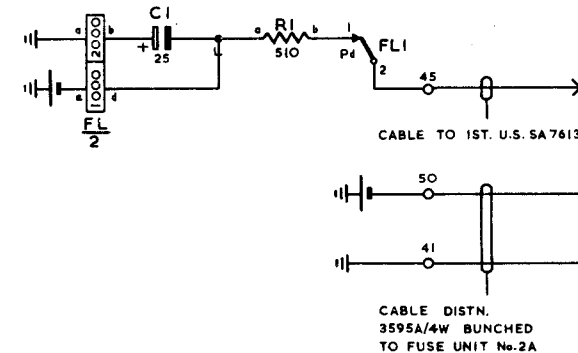


FIG. 1. APPARATUS LAYOUT.



BATT:- (VIOLET) TAG 50 - FL1 - FLA - FLB
ETH:- (RED) TAG 41 - FL1 - FL2

NOTES:-

- The Unit should be made up locally and mounted with the Units Signalling associated with the P.M.B.X. No.4 or P.M.B.X. No.11.
- For tag numbering on SCB refer to Drg. TP5604 Sht.3, Fig. 28.
- At installations where the number of Units Signalling SA7613 will not exceed 5, provide 1 Relay 3249 and 5 Valves Electronic CV8308. At other installations provide 2 Relays 3249 and 10 Valves Electronic CV8308.

P.O.E.D.	ISSUE			
S BRANCH				
PAPER: W.				
CIRCULATION:				
GENERAL	A	SCHEDULE AND NOTE A AMENDED. MINOR AMENDMENTS. <i>MWH</i>	TD 7-2-1	2-11-76
		<i>Benj. R. Fisher</i>	S3/2.	5.1.68.