

TERMINATION OF INTER-P.B.X. CIRCUITS  
EARTH AND LOOP DIALLING FROM P.M.B.X. NO. 4  
INTO STANDARD P.A.B.X.'S.

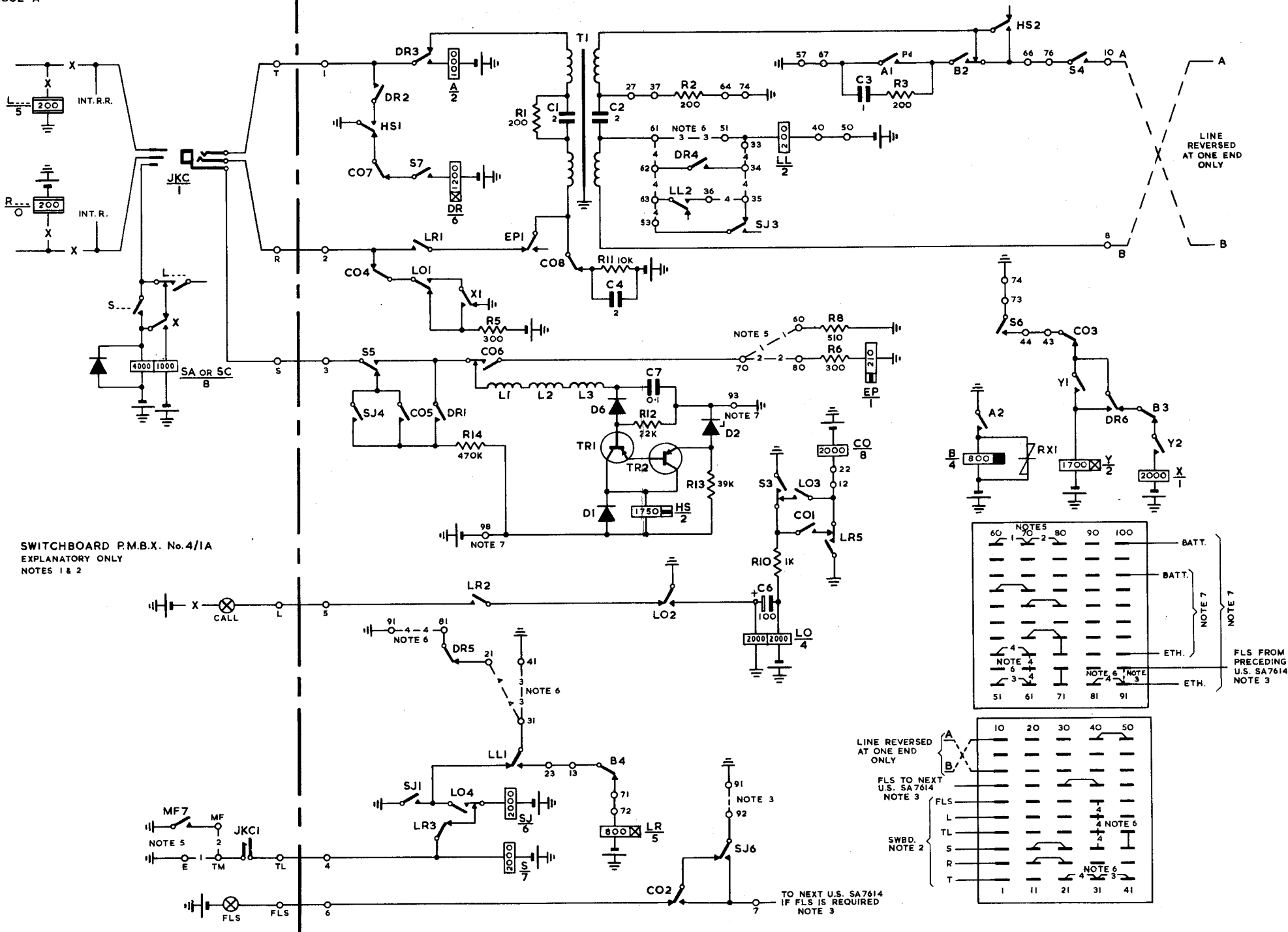
N 2244  
PAGE 1-4  
ISSUE A

NOTES:-

1. At single position P.M.B.X. No. 4 installations, Sub-Unit SA 7605 must be provided in Relay set SA 7604.
2. For Cabling, Jumpering and Swbd. Terminal Block arrangements, see P.M.B.X. No. 4 installation particulars (N 2231 or N 2232 as required).
3. When FLS is required, strap 91-92 on first cct., wire first cct. 7 to second cct. 92, second cct. 7 to third cct. 92, etc., with local wiring.
4. For Inter-P.B.X. line resistance limits see the appropriate P.A.B.X. SA diagram.
5. For ccts. without Exchange Prohibition strap TM-E, on the Swbd. Terminal Block, and 60-70 (- 1 - 1 -). For ccts. with Exchange Prohibition strap TM-MF, on the Swbd. Terminal Block, and 70-80- (- 2 - 2 -).
6. For Fig. 1., when distant end is terminated on Relay Set SA 8109 or SA 8190 strap 21-31, 33-34-35-36, 61-62-63-53, and 81-91 (- 4 - 4 -). In all other cases strap 31-41 and 51-61 (- 3 - 3 -).
7. Power supply connexions 91, 100 and 93, 98 must be wired separately from the same fuse in Fuse Unit No. 2A using bunched pairs of two Cables P.V.C. NO. 1 4W/6 $\frac{1}{2}$  and multiplied between a maximum of four Units. Sig.
8. Use Fig. 3. when the distant end is terminated on an Extn. Line cct. at the P.A.B.X.
9. For Cct. operation see Diagram Notes SA 7614.

P.O. TELECOMMS HQRS.  PAPER:- W CIRCLTN:- GENERAL.	ISSUE			
		A	REDRAWN, FIG. 3 ADDED, FIGS. 1 & 2 AMENDED NOTES REVISED.	<i>thm</i> 10.4.69
			R. G. FIDLER	TD1.5.2 SECTION

FIG. 1 UNIT SIGNALLING SA7614 CONNECTED FOR EARTH DIALLING



SWITCHBOARD P.M.B.X. No. 4/1A  
EXPLANATORY ONLY  
NOTES 1 & 2

LINE REVERSED AT ONE END ONLY

FLS FROM PRECEDING U.S. SA7614 NOTE 3

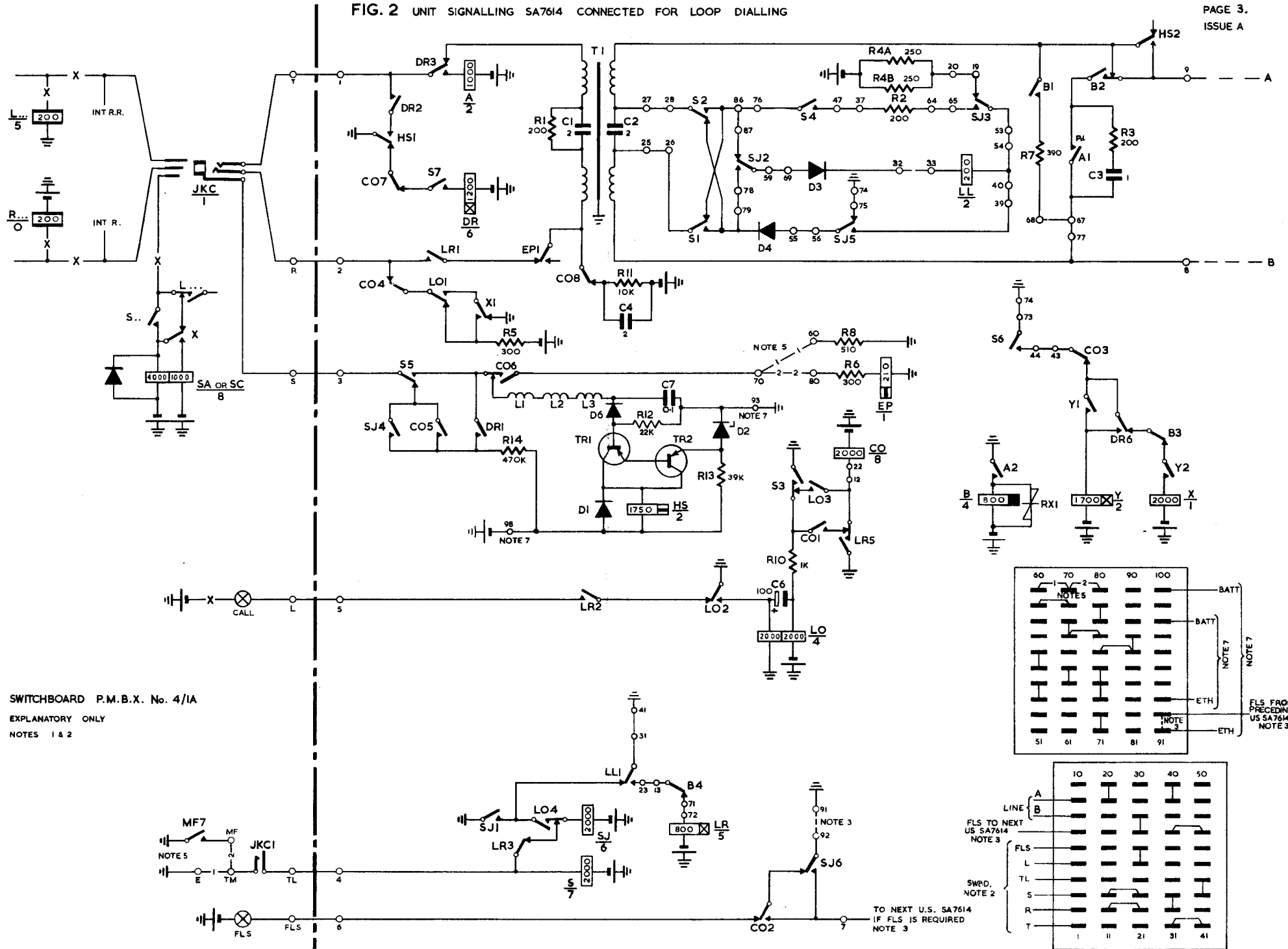
LINE REVERSED AT ONE END ONLY

FLS TO NEXT U.S. SA7614 NOTE 3

SWBD. NOTE 2

TO NEXT U.S. SA7614 IF FLS IS REQUIRED NOTE 3

FIG. 2 UNIT SIGNALLING SA7614 CONNECTED FOR LOOP DIALLING



SWITCHBOARD P.M.B.X. No. 4/1A  
EXPLANATORY ONLY  
NOTES 1 & 2

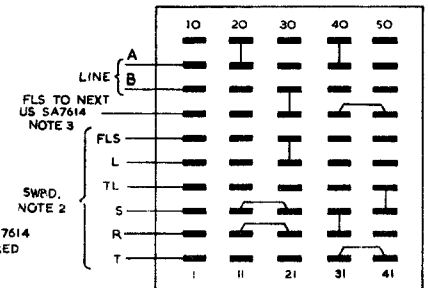
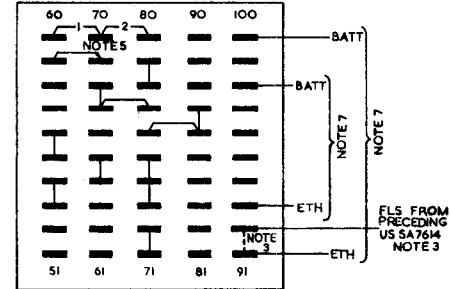
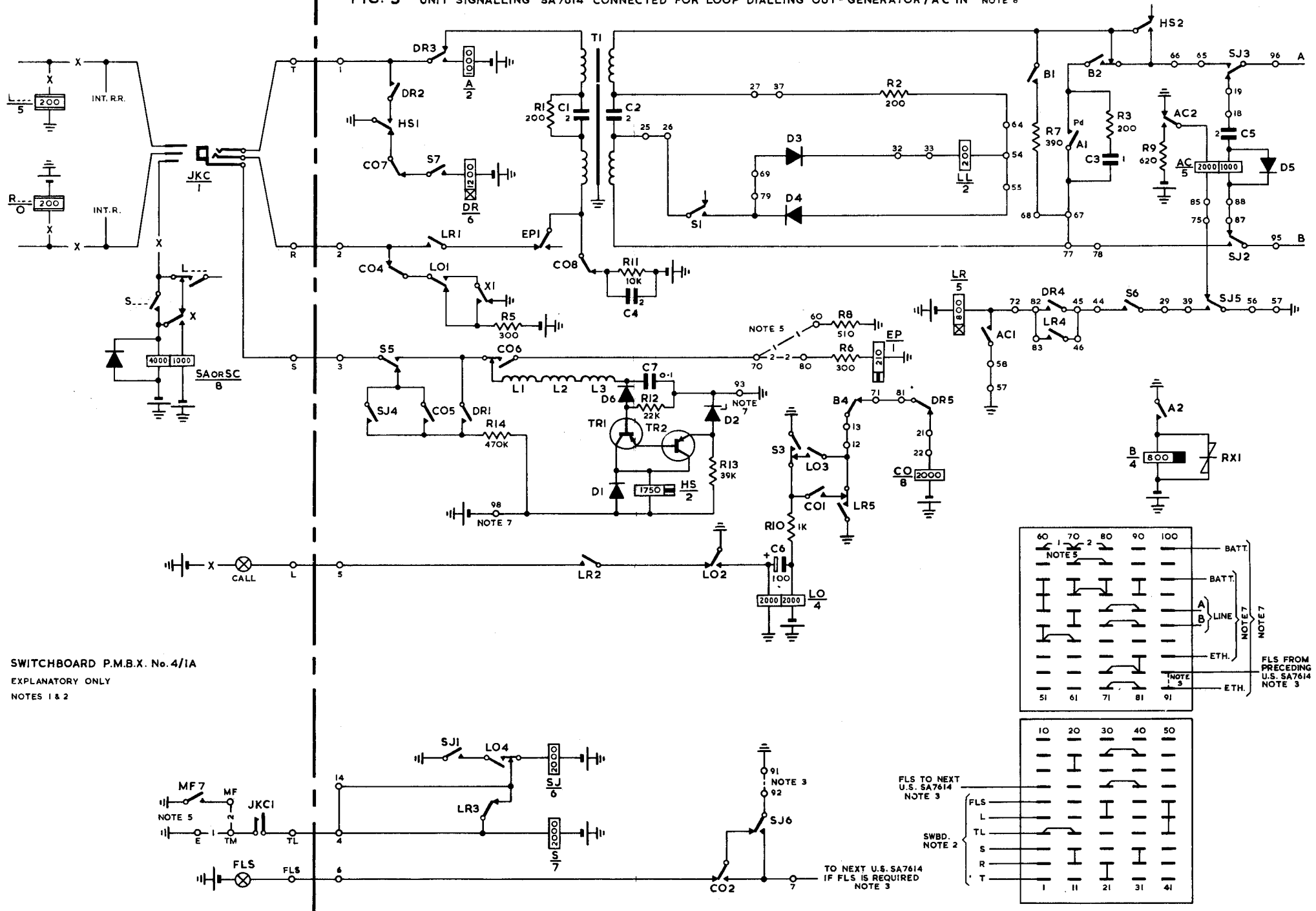


FIG. 3 UNIT SIGNALLING SA7614 CONNECTED FOR LOOP DIALLING OUT-GENERATOR / AC IN NOTE 8



SWITCHBOARD P.M.B.X. No. 4/1A  
 EXPLANATORY ONLY  
 NOTES 1 & 2

60	70	80	90	100	BATT.
NOTE 5	1	2			BATT.
					A } LINE
					B }
					ETH.
					NOTE 3
51	61	71	81	91	ETH.

	10	20	30	40	50
FLS TO NEXT U.S. SA7614 NOTE 3					
SWBD. NOTE 2					
	1	11	21	31	41

TO NEXT U.S. SA7614  
 IF FLS IS REQUIRED  
 NOTE 3