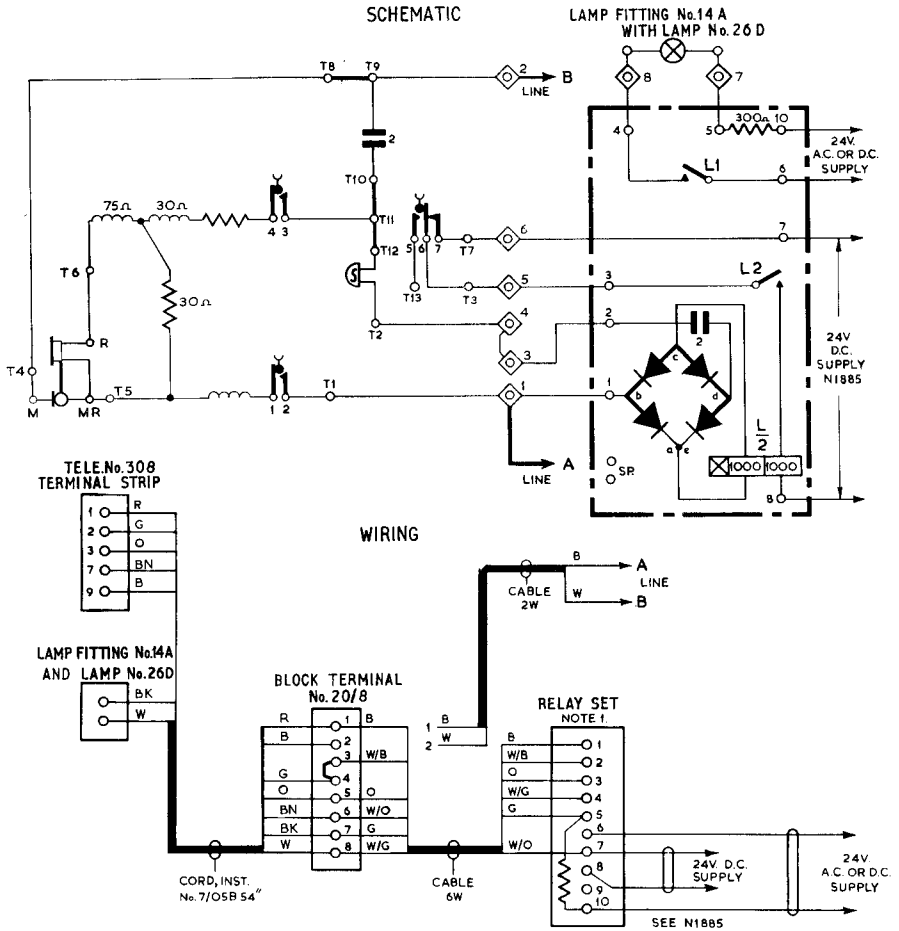


LOW VOLTAGE CONTINUOUS LAMP SIGNALLING USING TELEPHONE No. 308 (MANUAL CB. AREAS AND P.M.B.X. EXTENSIONS)

N 1886
ISSUE A



NOTE

- 1 RELAY SET. To be made up locally consists of

1 Relay No. 12163	1 Bracket Mounting AZ.
1 Relay Cover AP.	1 Bracket Mounting CZ.
1 Capacitor MC 102	1 Block Terminal 20/8
1 Rectifier Element 4/6A	1 Clip No. 20 B
1 Mounting No. 151/2A	1 Resistor Carbon No.15 C.E.- 300Ω

P.O.T.D.D. TD 1.4.1.								
PAPER : W	ISSUES							
CIRCULATION C.B. & AUTO		A	New Format	F.E. Troke	S1	D.W.	22-2-68	29-1-62