

LOW VOLTAGE CONTINUOUS LAMP SIGNALLING USING TELEPHONE 242 (MANUAL C.B. AREAS AND P.M.B.X. EXTENSIONS)

**N1883
ISSUE B**

NOTES

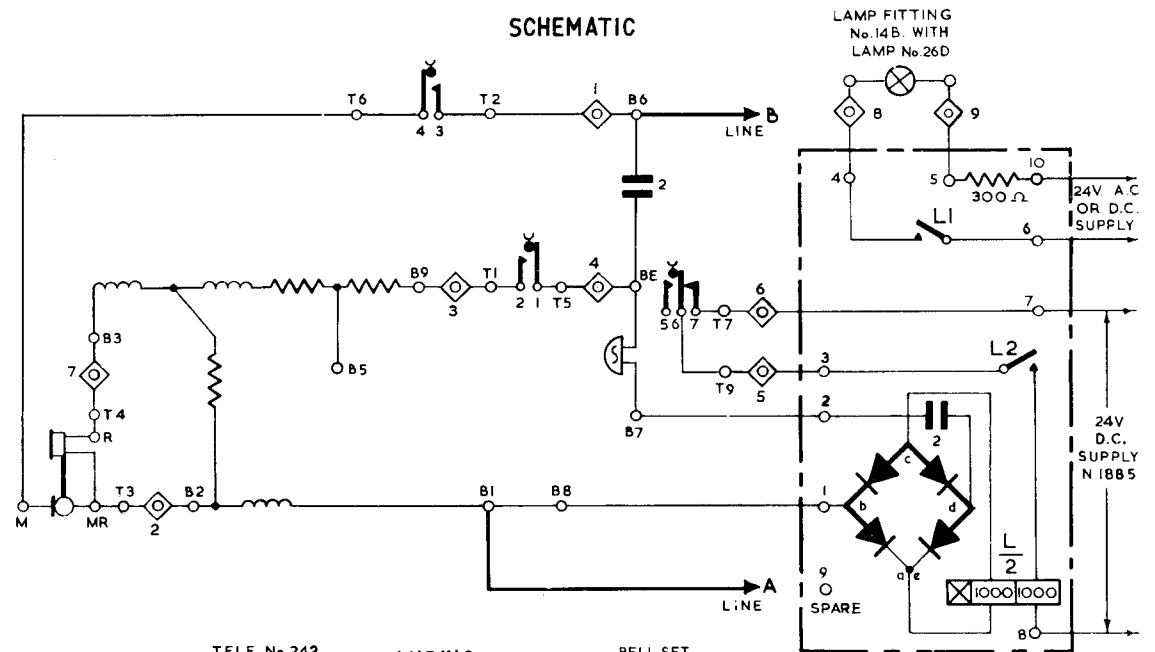
1. **TELEPHONE 242**
Shift wire from receiver rest spring No. 5 to spring No. 7
Remove Cord Inst. 3/99BN and reconnect as shown
Recover Dial Auto No.13 and fit Dial Auto dummy No. 3
Recover Cord Inst. No. 6/13E 8"

2. **RELAY SET** to be made up locally consists of:-

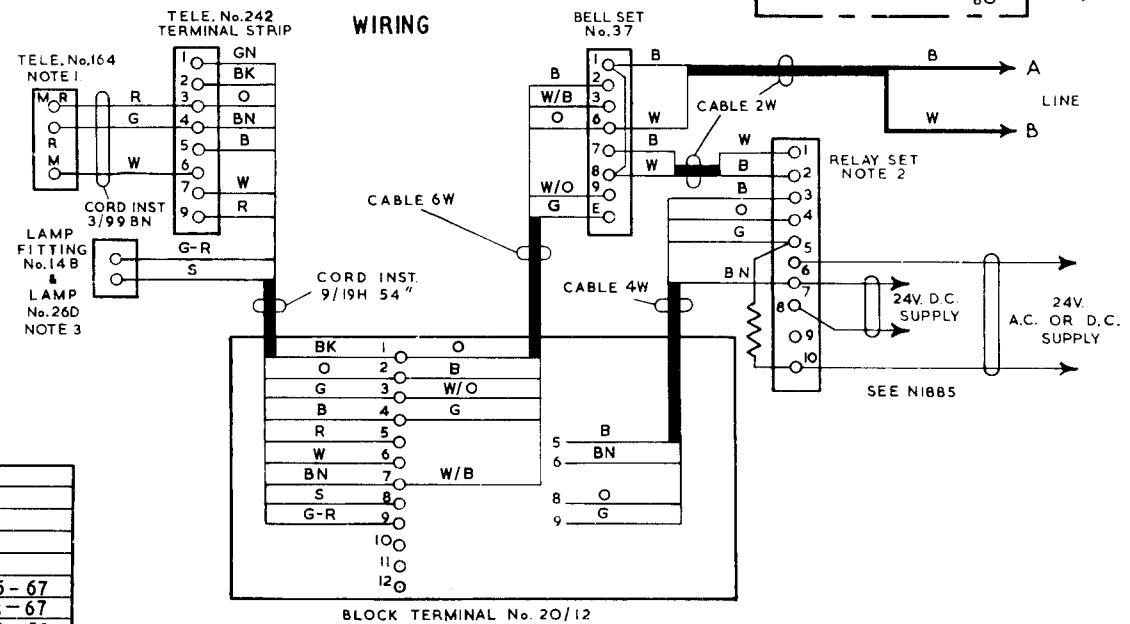
1 Relay No.12163	1 Clip No. 20B
1 Relay Cover AP	1 Resistor carbon No.15 CE-300Ω
1 Capacitor MCI02	
1 Rectifier element 4/6A	
1 Mounting No.151/2A	
1 Bracket, mounting AZ	
1 Bracket, mounting CZ	
1 Block terminal 21/10	

3. Fit tag strip of Lamp Fitting 14B under nuts on Tele. terminals T1 and T2

SCHEMATIC



WIRING



P.O.E.D. S BCH.			
PAPER: W CIRCULATION CB & AUTO	ISSUES		
	B	New format, Minor amendments	2-6-67
	A	Minor amendments, circulation changed	17-1-67
		E. Seymour S1	6-2-59