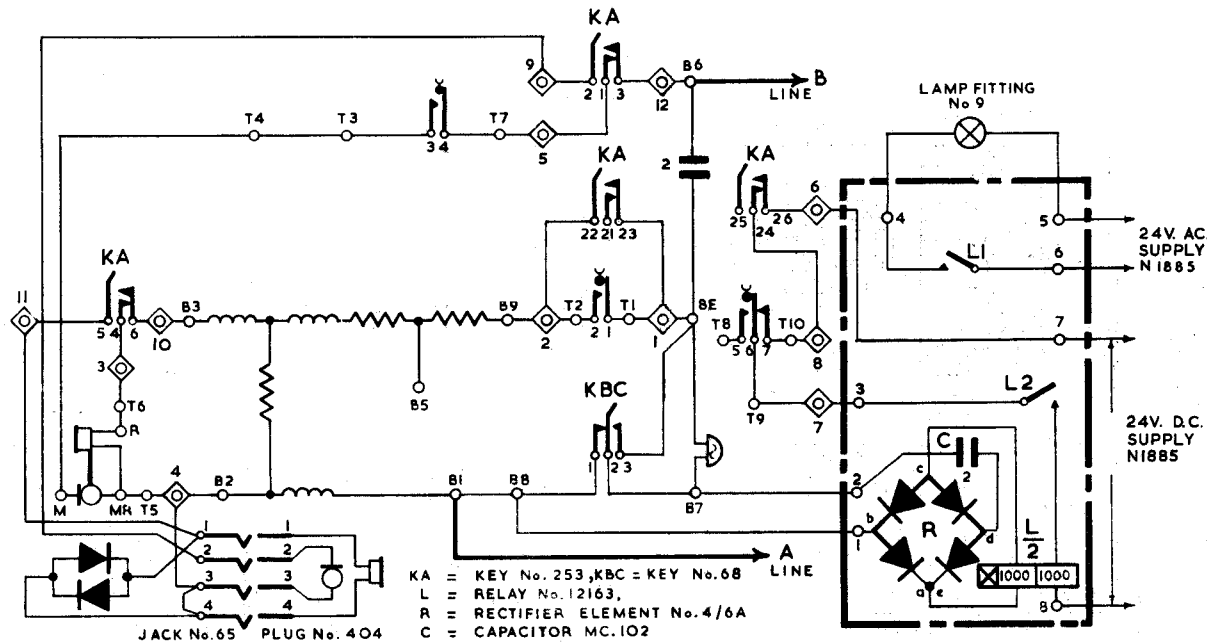


LOW VOLTAGE CONTINUOUS LAMP SIGNALLING
WITH BP TRANSMITTER AND HG RECEIVER IN LIEU OF
TELEPHONE USING TELEPHONE No.246 AND BELL SET
No. 37 (MANUAL CB AREAS)

N1881
PAGE 1-2
ISSUE B

SCHEMATIC



NOTES

1. Recover Block Terminal No.20/8 from Tele. No.246 and fit Block Terminal No.20/12.
2. The blue-white conductor of Cord Inst. 8/09G to be left disconnected at the Block Terminal No.20/12.
3. RELAY SET to be made up locally consists of:-
 - | Relay No.12163.
 - | Relay Cover AP.
 - | Capacitor MC 102.
 - | Rectifier element 4/6A.
 - | Mounting No.151/2A.
 - | Bracket, mounting, AZ.
 - | Bracket, mounting, CZ.
 - | Block terminal 21/8

P.O.E.D. S BCH.			
PAPER: R CIRCULATION SPECIAL	ISSUES		
		B New format. Minor Amendments	2-6-67
		A Minor corrections	15-5-60
		E. Seymour S1	6-2-59

WIRING

