

PRIVATE WIRES AND L.B. SYSTEMS  
HEADSET No.1 IN ADDITION TO, OR IN LIEU OF TELEPHONE

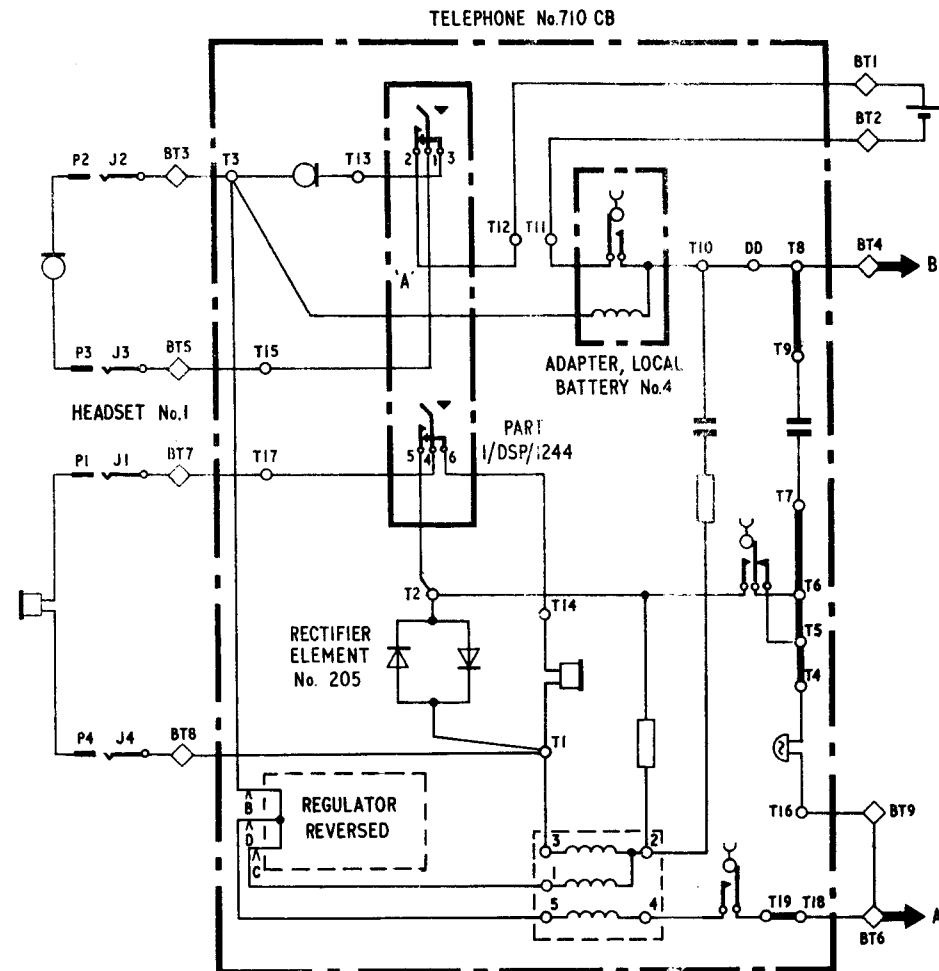
HEADSET No.1 IN ADDITION TO TELEPHONE No.710...  
EXPLANATORY

APPARATUS SCHEDULE

COMMON APPARATUS	WITH TELEPHONE	IN LIEU OF TELEPHONE
HEADSET No.1	TELEPHONE No.710 CB	KEY No. 207
PLUG, No. 420 WITH CORD INSTRUMENT No. 4/77L	PART 1/DSP/1244	KEY-MOUNTING NAA
	PART 1/DST/26	BELL-SET No.31
	PART 34/DBU/260	RESISTOR No.91 EJ 15 Ω
JACK No. 95A	PART 35/DBU/260	RESISTOR, No.91 EJ 180 Ω
RECTIFIER-ELEMENT No.205 2 OR 3 CELLS, DRY R40	ADAPTER, LOCAL BATTERY No. 4	---
BOX BATTERY No. 3	CORD, INST. No.9/21AD	---
	BLOCK, TERMINAL No.36B	---

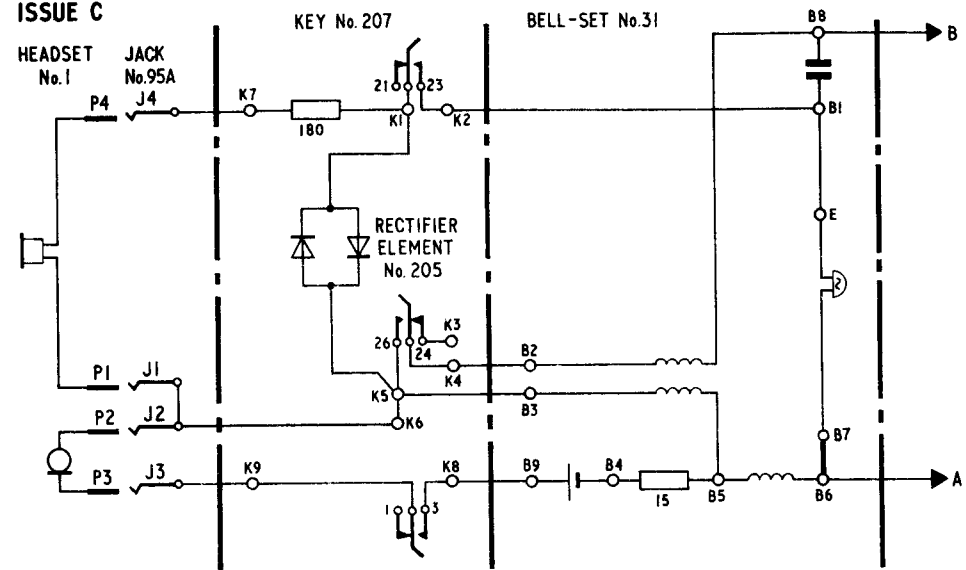
NOTES:-

- WITHOUT TELEPHONE:-  
CONNECT AS SHOWN ON PAGE 2.
- IF AN EXTENSION BELL IS REQUIRED REMOVE STRAP B6 - B7 IN BELL-SET No. 31 AND CONNECT BELL TO THESE TERMINALS.
- WITH TELEPHONE No.710CB FIT PART 1/DSP/1244 AND PART 35/DBU/260 (HEADSET) IN POSITION A. FIT PART 1/DST/26 AND PART 34/DBU/260 (NORM) IN POSITION 'D'. THE LATCH BRACKET OF 'A' SHOULD BE AT SETTING 1, LATCH BRACKET OF 'D' AT SETTING 2, 'X' AND 'Y' LATCHES AT SETTING 4 (SEE DGM N848) TRANSFER THE FOLLOWING HANDSET CONDUCTORS, WHITE FROM T10 TO T13, GREEN FROM T2 TO T14. FIT ADAPTER, LOCAL BATTERY No. 4, IN AUXILIARY GRAVITY SPRINGSET POSITION. FIT CORD, INST. No. 9/21AD... AND BLOCK TERMINAL No.36B CONNECT AS SHOWN ON PAGE 2.
- IF AN EXTENSION BELL IS REQUIRED REMOVE STRAP BT6 - BT9 AND CONNECT BELL TO THESE TERMINALS.
- FIT GENERATOR No.26AM WHEN REQUIRED FOR PRIVATE WIRES AND MAGNETO AREAS

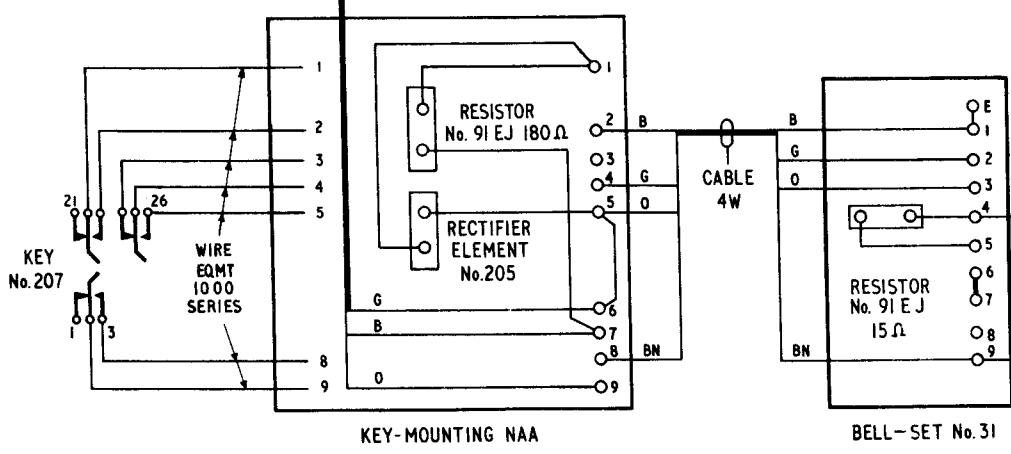
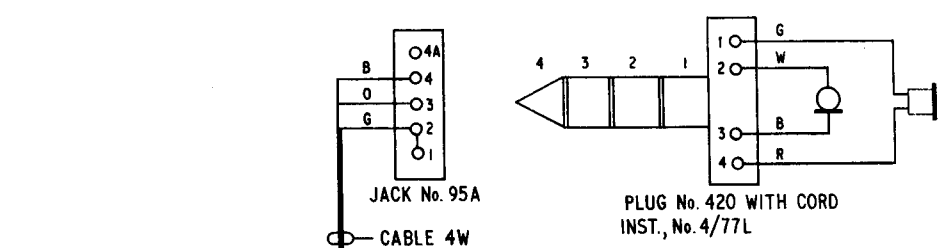


PO TELECOMMS HQRS  PAPER:- W  DISTN:- GENERAL	ISSUE					
		C	NEW FORMAT	NOTES AMENDED	D.7.1.1	20-6-74
		B	REDRAWN	HDST No.1 & TELE No.710 FITTED.	WAS 6 PARTS. H.M.F. K.M.A.	20-6-62
			E.R.			17

HEADSET No.1 IN LIEU OF TELEPHONE  
EXPLANATORY



WIRING



HEADSET No.1 IN ADDITION TO TELEPHONE No.710...  
WIRING

