

# AUTOMATIC SYSTEMS

## HEADSET IN ADDITION TO, OR IN LIEU OF TELEPHONE

NI650  
PAGE 1-15  
ISSUE F

NOTES:—

1. HEADSET IN ADDITION TO TELEPHONE ON DIRECT EXCHANGE LINE

1.1 APPARATUS REQUIRED:—

Telephone No. 740	Block Terminal No. 36B
Part 1/DSP/1244	Headset No. 1
Part 1/DST/26	Plug No. 420 with Cord Inst
Part 21/DBU/372	No. 4/77AB
Part 23/DBU/372	Jack No. 95A
Regulator No. 6B	Cord Inst. No. 6/61AT

1.2 Fit Cord Inst. No. 6/61AT and Block Terminal No. 36B. Fit Regulator No. 6B with the coil towards the base of the block terminal. Fit Part 1/DSP/1244 with Part 23/DBU/372 (Headset) in position A; fit Part 1/DST/26 with Part 21/DBU/372 (Normal) in position D. Set position A latch bracket to setting 1; position D latch bracket to setting 2. The X and Y latches should be at setting 4. (Dgm N848 refers.) Shift the white handset cord from Terminal T10 to T11; the green conductor from T2 to T13. Rearrange straps and connect as shown, omitting the elements with wiring shown as dotted lines.

2. HEADSET IN ADDITION TO TELEPHONE ON 2-WIRE PBX EXTENSION WITH RECALL

2.1 APPARATUS REQUIRED:—

Telephone No. 740	Block Terminal No. 36B
Part 1/DSP/1244	Headset No. 1
Part 1/DST/26	Plug No. 420 with Cord Inst.
Part 21/DBU/372	No. 4/77AB
Part 23/DBU/372	Jack No. 95A
Part 8/DBU/372	Cord Inst. No. 9/21AD
Regulator No. 6B	Switch No. 5A-4

2.2 Fit Cord Inst. No. 9/21AD and Block Terminal No. 36B. Fit Regulator No. 6B with the coil towards the base of the block terminal. Fit Part 1/DSP/1244 with Part 23/DBU/372 (Headset) in position A; Switch No. 5A-4 with Part 8/DBU/372

(Recall) in position B; Part 1/DST/26 with Part 21/DBU/372 (Normal) in position D. Set position A latch bracket to setting 1; position B to setting 3 and position D to setting 2. The X and Y latches should be at setting 4. (Dgm N848 refers). Shift the white handset cord conductor from Terminal T10 to T11; the green conductor from T2 to T13. Rearrange straps and connect as shown including those elements with wiring shown dotted on the diagram. Insulate spare cord conductors.

3. HEADSET IN ADDITION TO TELEPHONE ON PMBX EXTENSION WITH C-WIRE SIGNALLING

3.1 APPARATUS REQUIRED:—

Telephone No. 740	Block Terminal No. 36B
Part 1/DSP/1244	Headset No. 1
Part 1/DST/26	Plug No. 420 with Cord Inst.
Part 2/DST/836	No. 4/77AB
Part 8/DBU/372	Jack No. 95A
Part 21/DBU/372	Cord Inst No. 9/21AD
Part 23/DBU/372	Switch No. 19B-1
Regulator No. 6B	Switch No. 5A-4

3.2 Fit Cord Inst. No. 9/21AD and Block Terminal No. 36B. Fit Regulator No. 6B with the coil towards the base of the block terminal. Fit Part 1/DSP/1244 with Part 23/DBU/372 (Headset) in position A; Switch No. 5A-4 with Part 8/DBU/372 (Recall) in position B; Part 1/DST/26 with Part 21/DBU/372 (Normal) in position D. Set position A latch bracket to setting 1; position B to setting 3 and position D to setting 2. The X and Y latches should be at setting 4. (Dgm N848 refers). Fit Part 2/DST/836 and auxiliary gravity Switch No. 19B-1. Shift the white handset cord conductor from Terminal T10 to T11; the green conductor from T2 to T13. Rearrange straps and connect as shown.

4. HEADSET IN LIEU OF TELEPHONE ON DIRECT EXCHANGE LINE

4.1 APPARATUS REQUIRED:—

Bell-Set No. 50B	2 Screws 8BA x 1/4" Csk Hd
Rectifier Element No. 205	Jack No. 84C
Mounting Dial Auto No. 21	Part 18/DWA/22
Key-Mounting TB	Part 2/DCC/672
Cord Inst. No. 9/21AD	Headset No. 1
Key No. 1302	Plug No. 420 with Cord Inst.
Handle Key No. 18/16	No. 4/77AB
Regulator No. 6B	Block Terminal No. 36B

BRITISH TELECOMMS HQRS PAPER:— W DISTN: CB & AUTO	ISSUE	F	NOTES 10-16 AND PAGES 11-15 ADDED MINOR AMENDMENTS. <i>Ed. 9/21 1961</i> PD 1-1-2	21-10-82
	E	NEW FORMAT. TELEPHONES CHANGED. PAGES 9 & 10 MADE YELLOW. NOTES RE-WRITTEN. 2-WIRE WITH RECALL & C-WIRE SIGNALLING PBX EXTENSIONS ADDED. <i>Ed.</i>	22-4-77	
	D	REDRAWN. HEADSET No.1 FITTED. PANELS 6 & 7 MADE YELLOW.	21-2-62	

4.2 Remove front plate and cover of Key Mounting TB. Fit Jack No. 84C and Part 18/DWA/22 (Washer) in the right hand position in front face of mounting. (Place the insulated washer over the jack body before fitting.) Fit Key No. 1302 and Handle Key No. 18/16 in the centre position of the mounting using the 8BA screws. Using Wire Equipment 1000 Series, connect jack, key and terminal tablet as shown on diagram. If required remove the four rubber feet and secure mounting with suitable round headed wood screws. Fit Part 2/DCO/672. Fit Rectifier Element No. 205 and Regulator No. 6B in Bell-Set No. 50B. Fit and connect the apparatus together as shown, omitting the elements with wiring shown dotted.

5. HEADSET IN LIEU OF TELEPHONE ON 2-WIRE PBX EXTENSION WITH RECALL

5.1 APPARATUS REQUIRED

- |                           |                            |
|---------------------------|----------------------------|
| Bell-Set No. 50B          | 4 Screws 8BA x 3/4" Csk Hd |
| Rectifier Element No. 205 | Jack No. 84C               |
| Mounting Dial Auto No. 21 | Part 18/DWA/22             |
| Key Mounting TC           | Part 2/DCO/672             |
| Cord Inst. No. 9/21AD     | Headset No. 1              |
| Key No. 1302              | Plug No. 420 with Cord     |
| Key No. 1402              | Inst. No. 4/77AB           |
| 2 Handles Key No. 18/16   | Block Terminal No. 36B     |
| Regulator No. 6B          |                            |

5.2 Fit Jack No. 84C as described in note 4.2. Fit Keys No. 1302 and 1402 with Handles Key No. 18/16 in the left and right hand Key mounting positions respectively using the 8BA screws. Wire up keys, fit and connect apparatus as described in note 4.2 adding the elements with wiring shown dotted. Label left hand key 'LINE,' right hand key 'RECALL.'

6. HEADSET IN LIEU OF TELEPHONE ON PMBX EXTENSION WITH C-WIRE SIGNALLING

6.1 APPARATUS REQUIRED

- |                           |                            |
|---------------------------|----------------------------|
| Bell-Set No. 50B          | 4 Screws 8BA x 3/4" Csk Hd |
| Rectifier Element No. 205 | Jack No. 84C               |
| Mounting Dial Auto No. 21 | Part 2/DCO/672             |
| Key Mounting TC           | Headset No. 1              |
| Cord Inst. No. 9/21AD     | Plug No. 420 with Cord     |
| Key No. 1302              | Inst. No. 4/77AB           |
| Key No. 1402              | Block Terminal No. 36B     |
| 2 Handles Key No. 18/16   |                            |
| Regulator No. 6B          |                            |

6.2 Fit Jack No. 84C as described in note 4.2. Fit Keys No. 1302 and 1402 with Handles Key No. 18/16 in the left and right hand Key mounting positions respectively using the 8BA screws. Wire up keys, fit and connect apparatus as described in note 4.2 and as shown in the diagram. Label left hand key 'LINE,' right hand key 'RECALL.'

7. The main telephone circuit, for the PBX extension with C wire signalling, is identical to the direct exchange line arrangement.

8. See Dgm N4700 for add-on items when alternative telephones are used.

9. If an extension bell is required where a telephone is fitted, replace cord with Cord Inst. No. 9/21AD if not already fitted. Remove strap T16-T17 and connect bell.

10. HEADSET IN ADDITION TO TELEPHONE 1/756

10.1 APPARATUS REQUIRED

- |   |
|---|
| Telephone 1/756                           |
| Switch No. 23B-1                          |
| Part No. 1/DP1/203 (2)                    |
| Part No. 2/DBU/362 if recall not required |
| Part No. 23/DBU/372 if recall required    |
| Jack No. 95A                              |
| Block Terminal No. 36B                    |
| Cord Inst. 9/21AD                         |

10.2 Fit Cord, BT, switches etc, Jack 95A and fit regulator 6B as described in Note 1.2. Connect as shown in Figure 8. Note changes to wiring of transmitter and receiver. The telephone must be left off-hook during a call.

11. HEADSET IN ADDITION TO TELEPHONE 2, 3 OR 4/756 AND 746C

11.1 APPARATUS REQUIRED

- |   |
|---|
| Telephone 2, 3 or 4/756                   |
| Switch No. 36C-1                          |
| Switch No. 23B-1                          |
| Part No. 1/DP1/203 (2)                    |
| Part No. 2/DBU/362 if recall not required |
| Part No. 23/DBU/372 if recall required    |
| Jack No. 95A                              |
| Block Terminal No. 36B                    |
| Cord Inst. 9/21AD                         |

11.2 Fit Cord, BT, switches etc, Jack 95A and fit regulator 6B as described in Note 1.2. Connect as shown in Figure 9. Note changes to wiring of transmitter and receiver. The handset can be left on-hook during headset calls.

12. HEADSET IN ADDITION TO TELEPHONE 764

12.1 APPARATUS REQUIRED

Telephone 764  
Switch No. 23B-1  
Part No. 1/DP1/203 (2)  
Part No. 2/DBU/362 if recall not required  
Part No. 23/DBU/372 if recall required  
Jack No. 95A  
Block Terminal No. 36B  
Cord Inst. 9/21AD

12.2 Fit Cord, BT, switches etc, Jack 95A and regulator 6B as described in Note 1.2. Connect as shown in Figure 10. Note changes to wiring of transmitter and receiver. The headset must be left off-hook during all calls.

13. HEADSET IN ADDITION TO TELEPHONE NO. 772

13.1 APPARATUS REQUIRED

Telephone 772  
Switch No. 23B-1  
Part No. 1/DP1/203 (2)  
Part No. 2/DBU/362 if recall not required  
Part No. 23/DBU/372 if recall required  
Jack No. 95A  
Block Terminal No. 36B  
Cord Inst. 9/21AD

13.2 Fit Cord, BT, switches etc, Jack 95A and fit regulator 6B as described in Note 1.2. Connect as shown in Figure 11. Note changes to wiring of transmitter and receiver. The handset must be off-hook during all calls.

14. HEADSET IN ADDITION TO TELEPHONE 782

14.1 APPARATUS REQUIRED

Telephone 782  
Switch No. 36C-1  
Switch No. 23B-1  
Part No. 1/DP1/203 (2)  
Part No. 2/DBU/362 if recall not required  
Part No. 23/DBU/372 if recall required  
Jack No. 95A  
Block Terminal No. 36B  
Cord Inst. 9/21AD

14.2 Fit Cord, BT, switches etc, Jack 95A and fit regulator 6B as described in Note 1.2. Connect as shown in Figure 12. Note changes to wiring to transmitter and receiver. The handset may be left on-hook during headset calls.

15. HEADSET IN ADDITION TO OTHER TELEPHONES

TELEPHONE:-	PROVIDE AS:-
758	740
768	740
784	740

16. GENERAL

Where headset No. 1 is specified, headset 2, 3 or 3A may also be used.

FIG.1 HEADSET IN ADDITION TO TELEPHONE No.740 ON DIRECT EXCHANGE LINE (NOTE 1)  
AND 2 WIRE PBX WITH RECALL (NOTE 2)  
EXPLANATORY

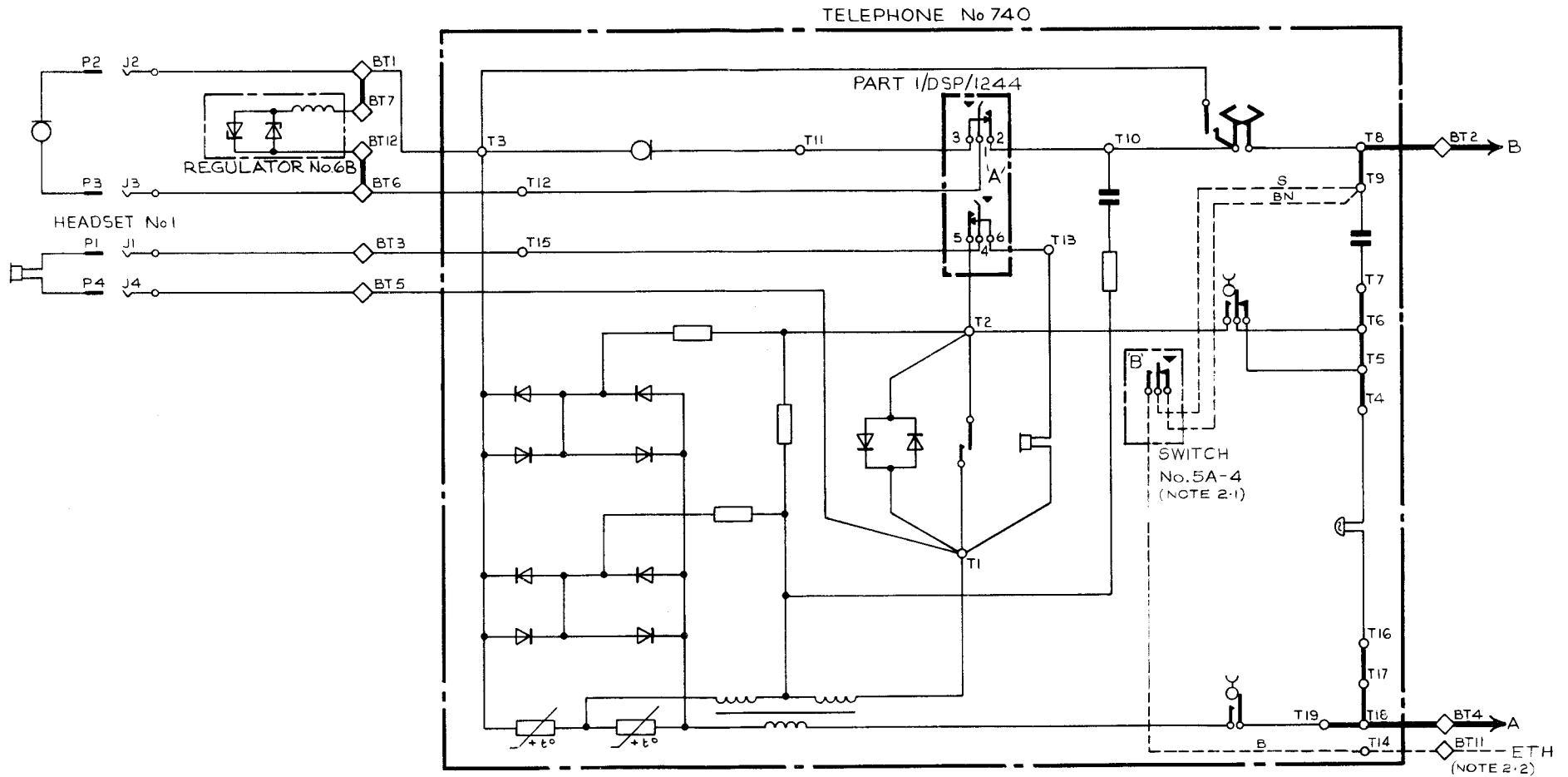


FIG.2 HEADSET IN ADDITION TO TELEPHONE No.740 ON DIRECT EXCHANGE LINE (NOTE 1)  
AND 2 WIRE PBX WITH RECALL (NOTE 2)  
WIRING

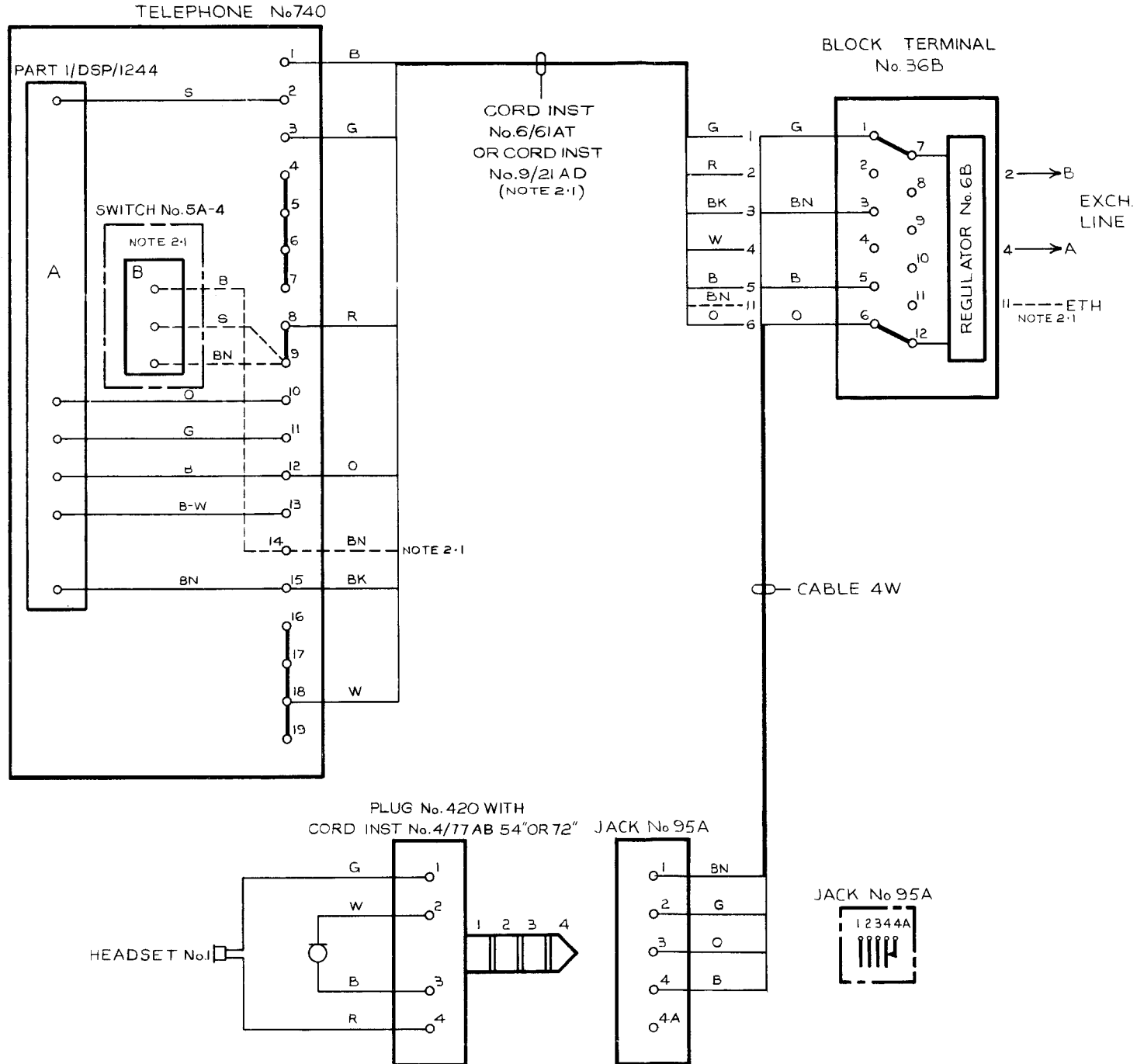
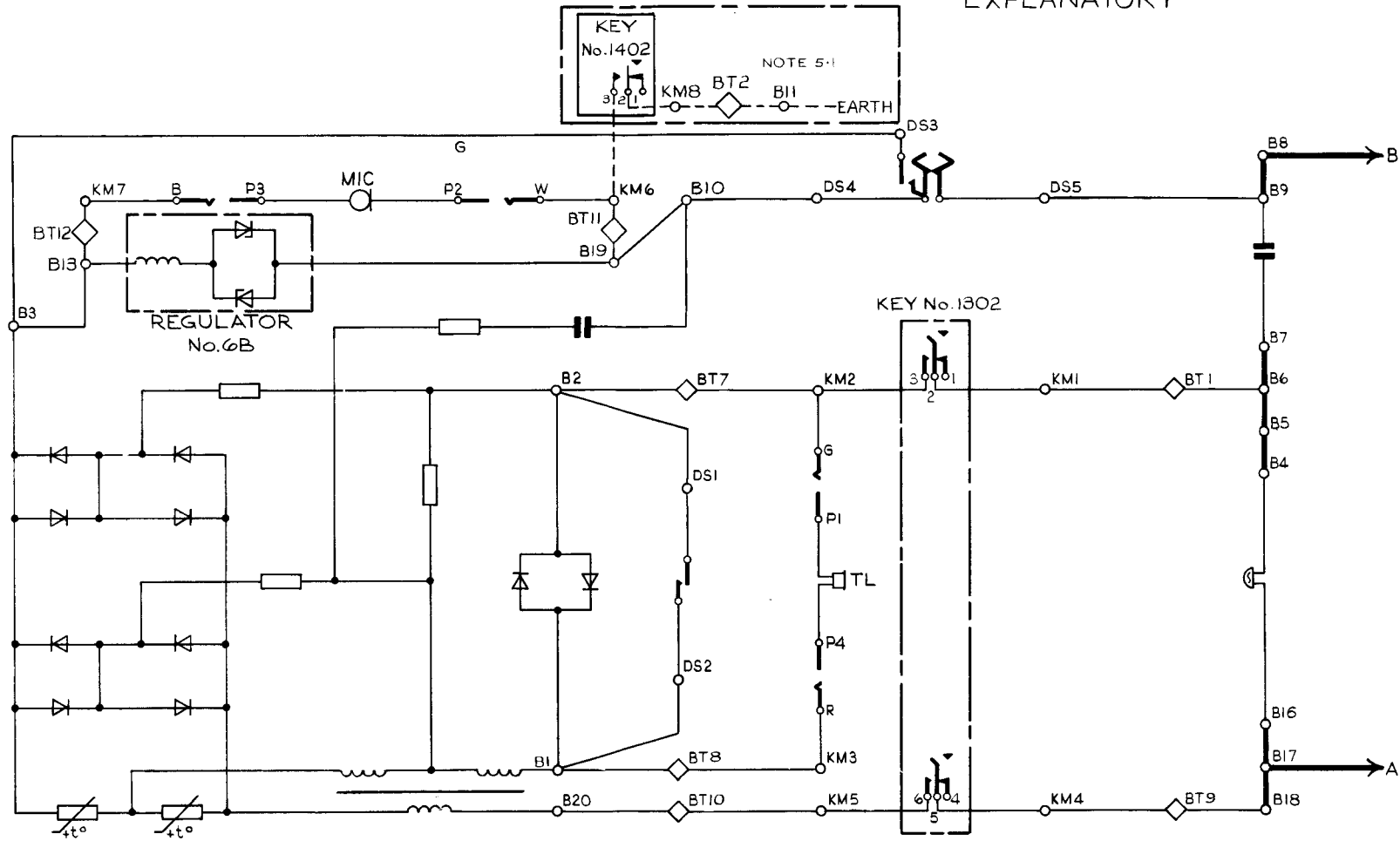


FIG.3 HEADSET IN LIEU OF TELEPHONE ON DIRECT EXCHANGE LINE (NOTE 4)  
AND 2 WIRE PBX WITH RECALL (NOTE 5)  
EXPLANATORY



ITEM	TERMINAL CODE
BELL-SET No. 50B	B
HEADSET No. 1 (PLUG No. 420)	P
MTG, DIAL, AUTO No. 21	DS
KEY MTG TB OR TC	KM
CONTAINING :-	
JACK No. 84	CORD CONDUCTOR COLOUR
KEY No. 1302	SPRING NUMBER
KEY No. 1402	SPRING NUMBER

FIG.4 HEADSET IN LIEU OF TELEPHONE ON DIRECT EXCHANGE LINE (NOTE 4)  
AND 2-WIRE PBX WITH RECALL (NOTE 5)  
WIRING

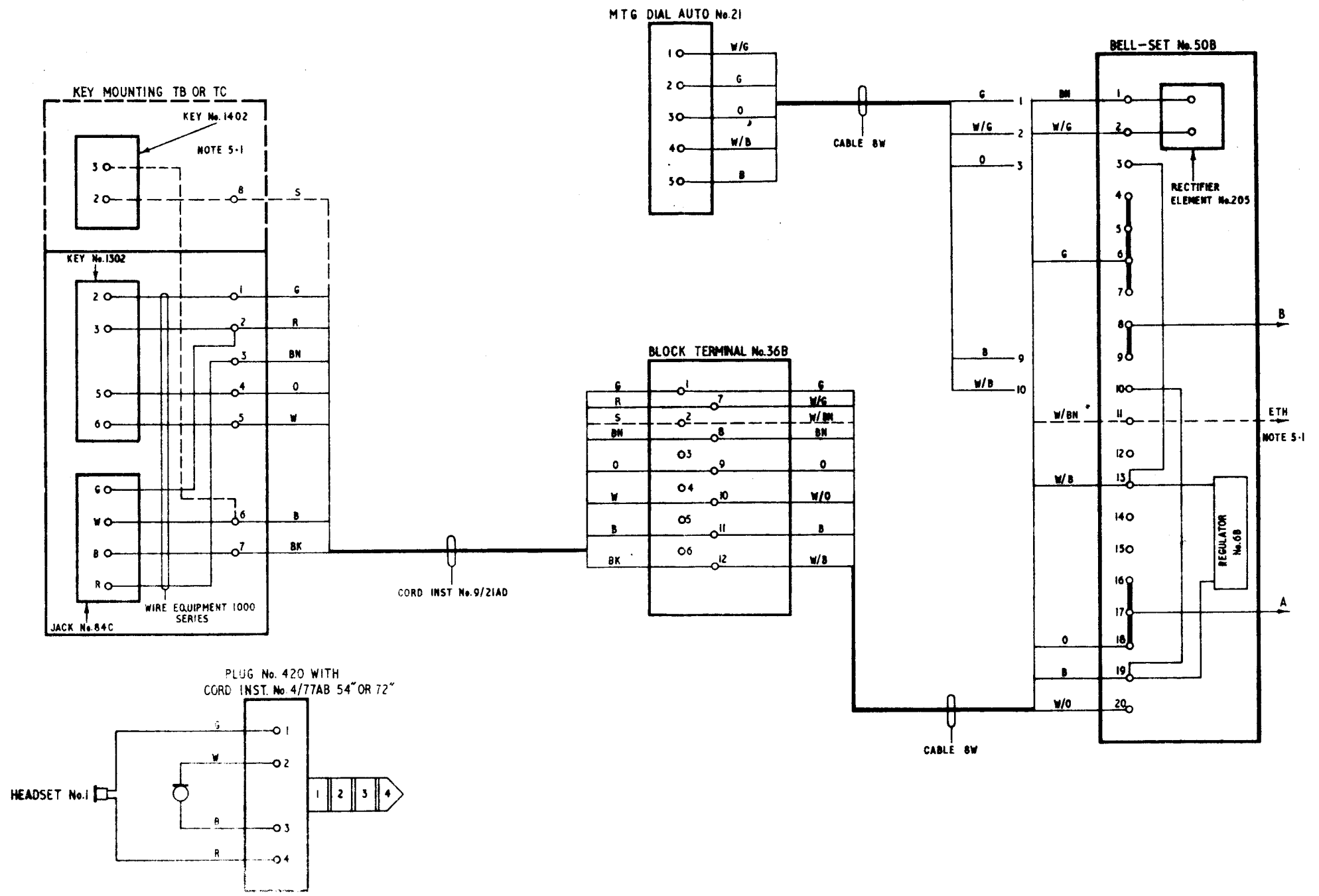


FIG.5 HEADSET IN ADDITION TO TELEPHONE

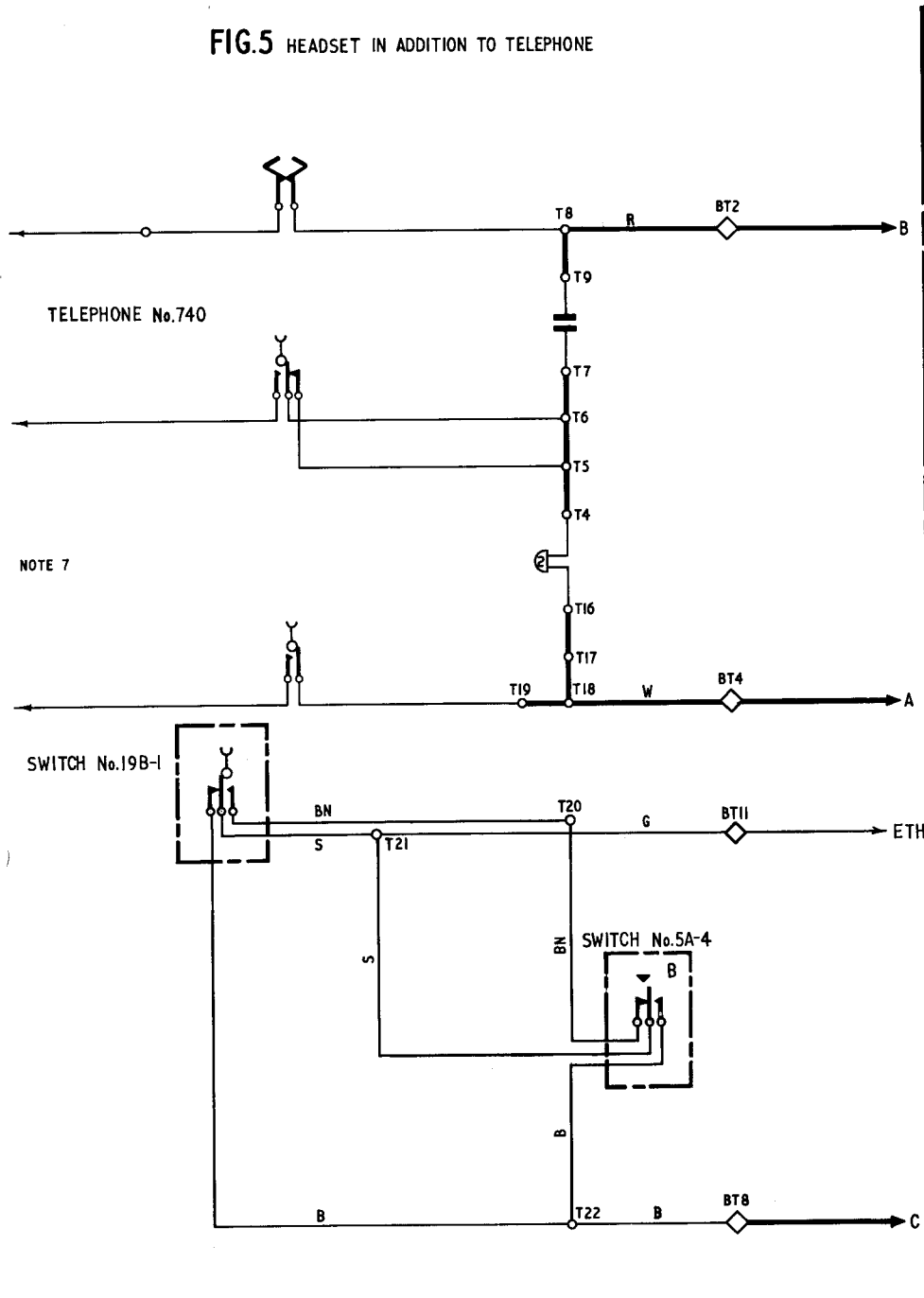
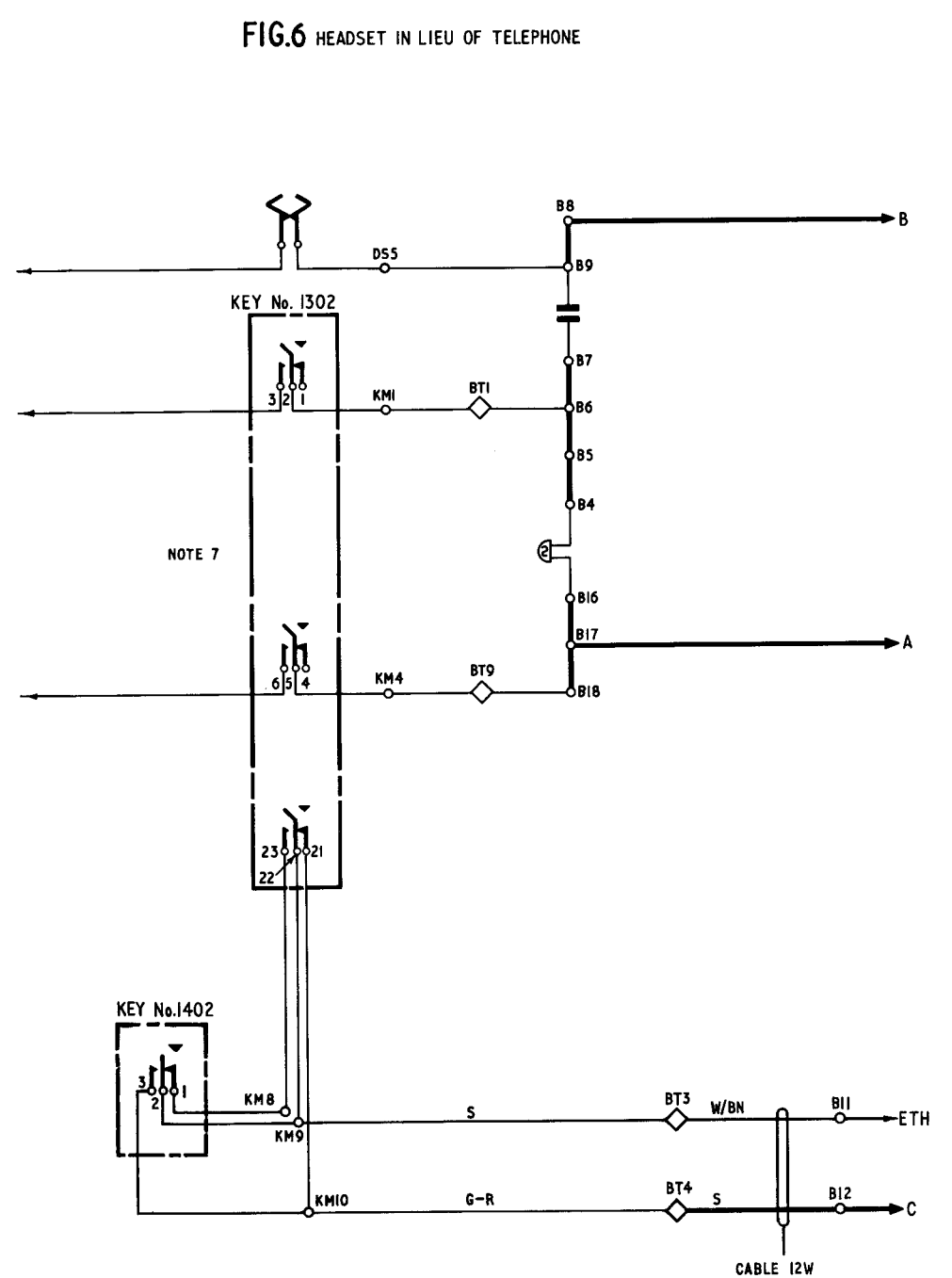
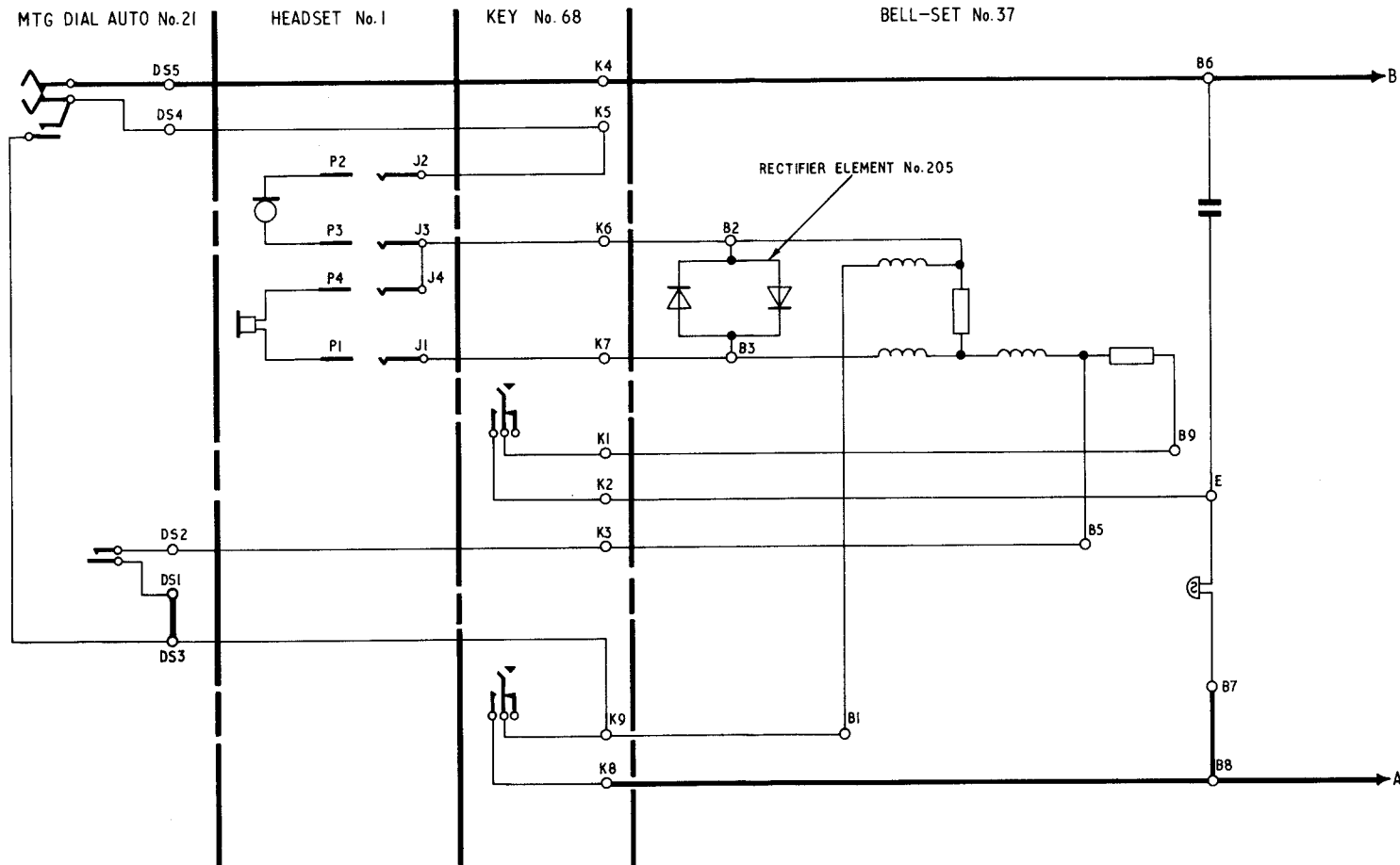


FIG.6 HEADSET IN LIEU OF TELEPHONE





EXPLANATORY



BRITISH TELECOMMS HQRS	ISSUE				
		PAPER:-Y	F	NOTES 10-16 AND PAGES 11-15 ADDED. MINOR AMENDMENTS. <i>AW</i>	PD 1-1-2 21.10.82
		DISTN:- C B & AUTO	E	New format. Telephones changed. Pages 9 and 10 made yellow. Notes rewritten. 2 wire with recall and C-Wire signalling PBX extensions added. <i>AW</i>	TD 7-1-1 22.4.77
			D	Redrawn. Headset No.1 fitted. Panels 6 and 7 made yellow.	21.2.62

FIG.8 HEADSET IN LIEU OF TELEPHONE USING BELL-SET No.37  
 WIRING

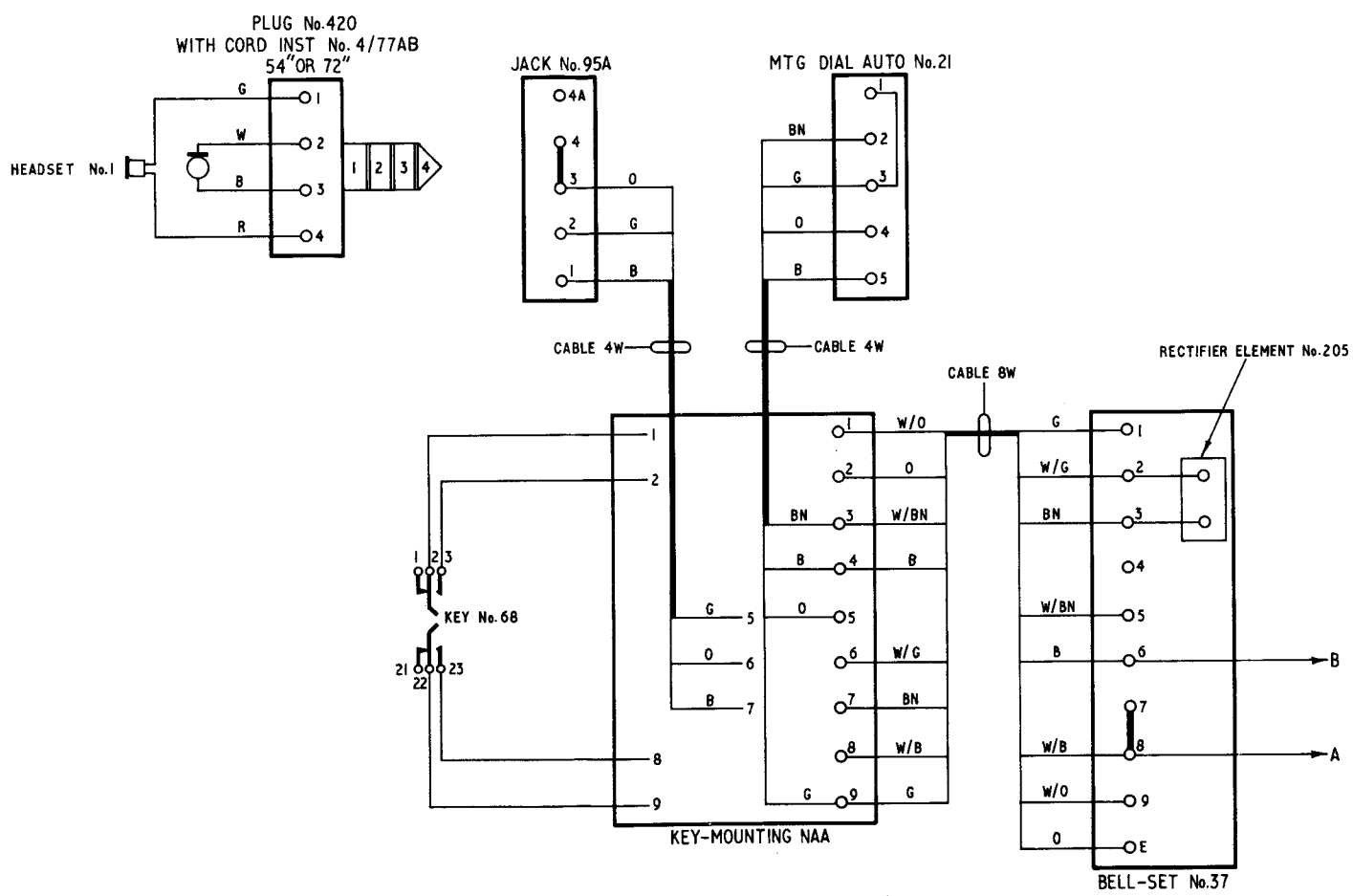
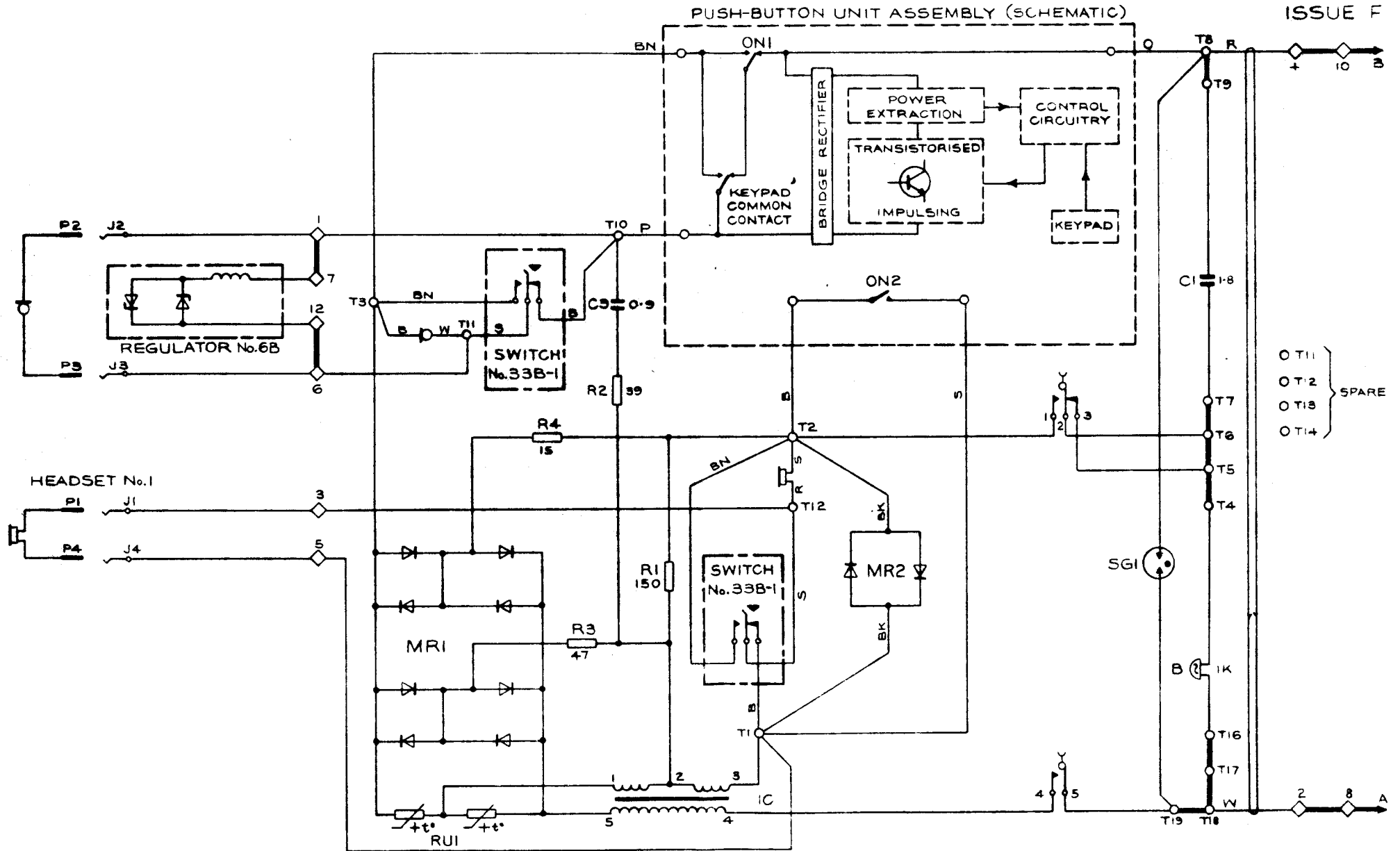


FIG.9 1/756 TELEPHONE WITH HEADSET



ISSUE	
NOTES 10-16 AND PAGES 11-15 ADDED MINOR AMENDMENTS.	
ES. 111	

FIG.10 2-4/756 AND 746C TELEPHONE WITH HEADSET AND ON-HOOK DIALLING

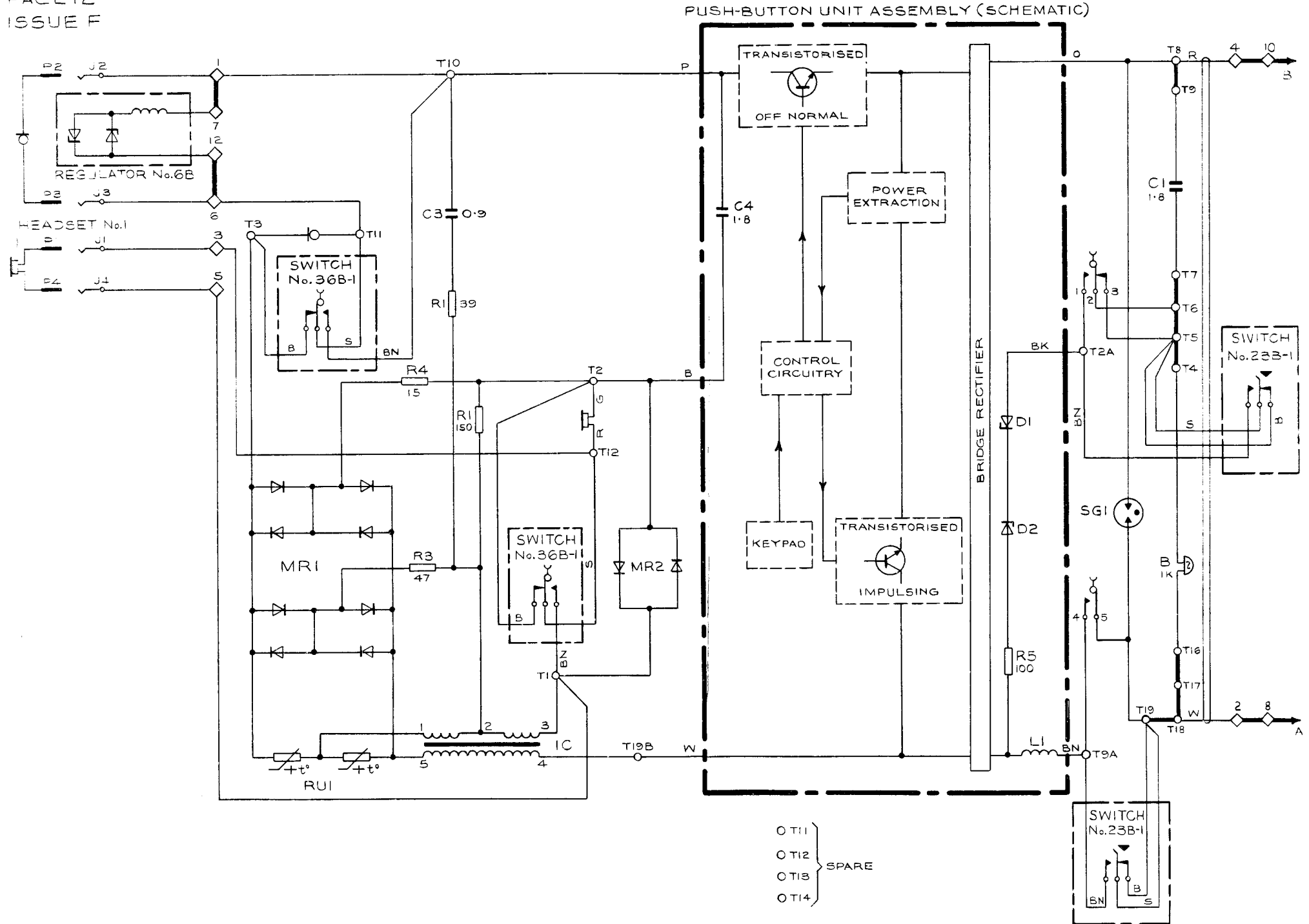


FIG.11 TELEPHONE No.764 WITH HEADSET

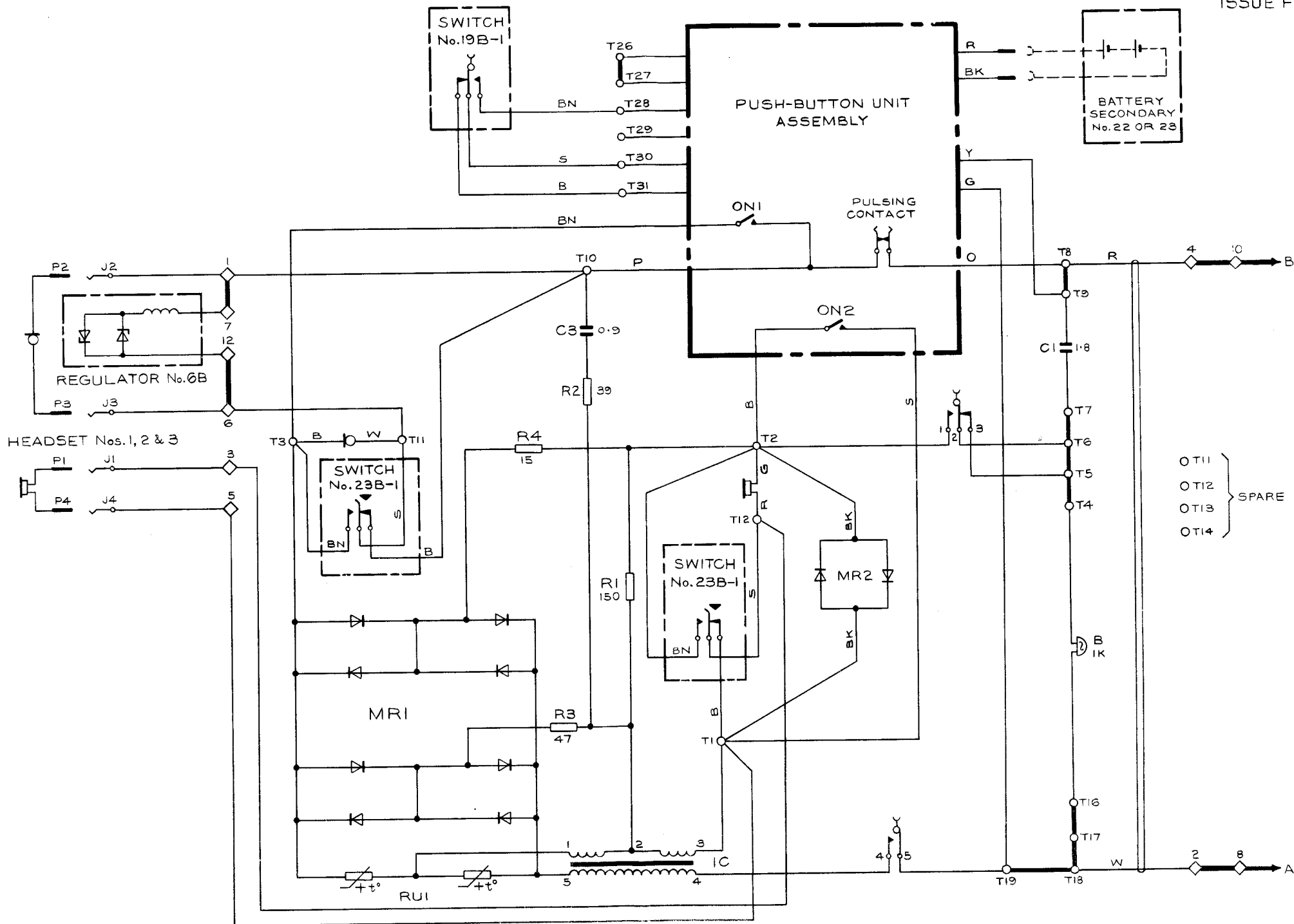


FIG.12 TELEPHONE No.772 WITH HEADSET

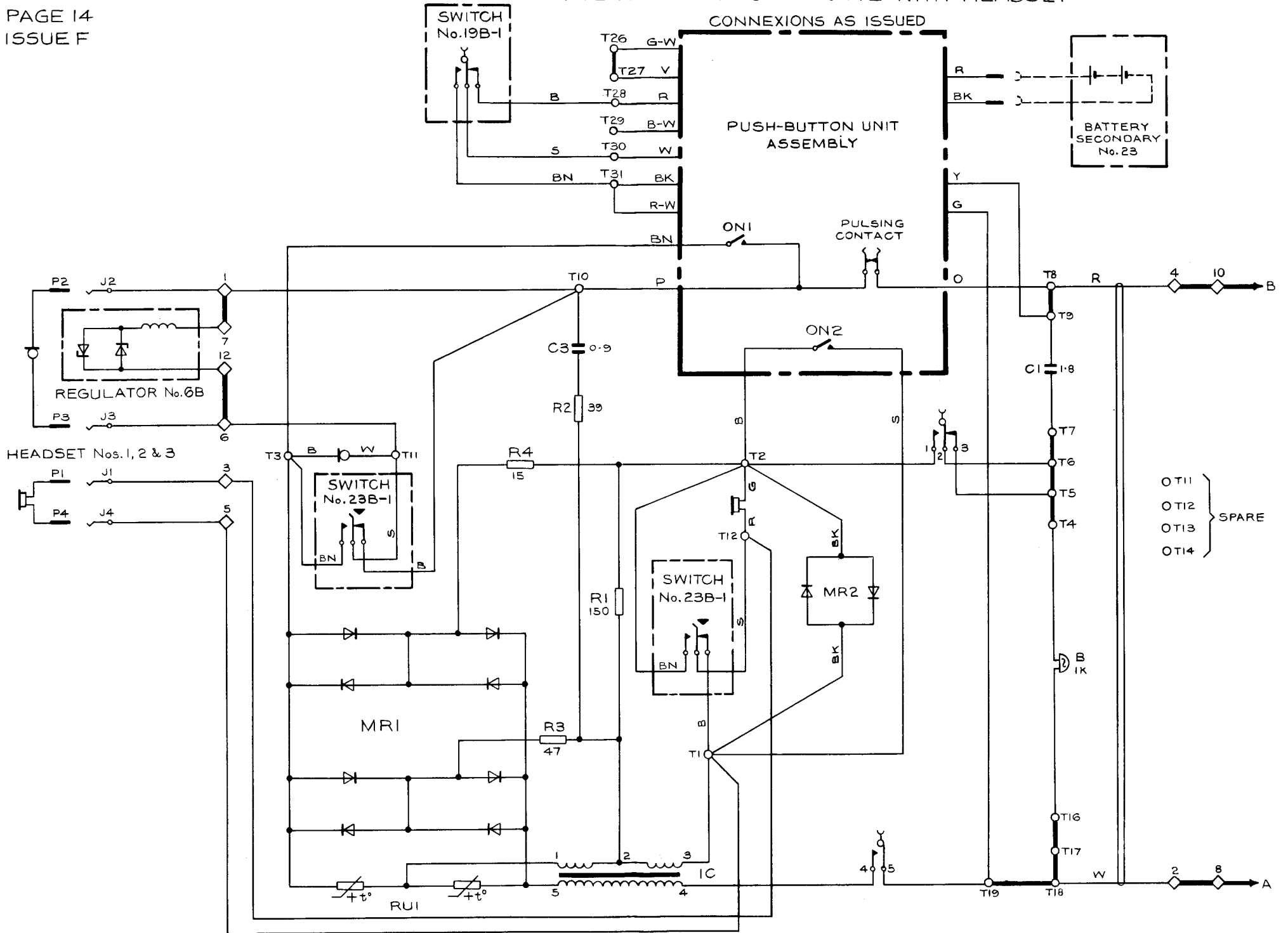


FIG.13 TELEPHONE No. 782 WITH HEADSET AND ON-HOOK DIALLING

