

CIRCULATION

SPECIAL

C.B. & AUTO. SYSTEMS.

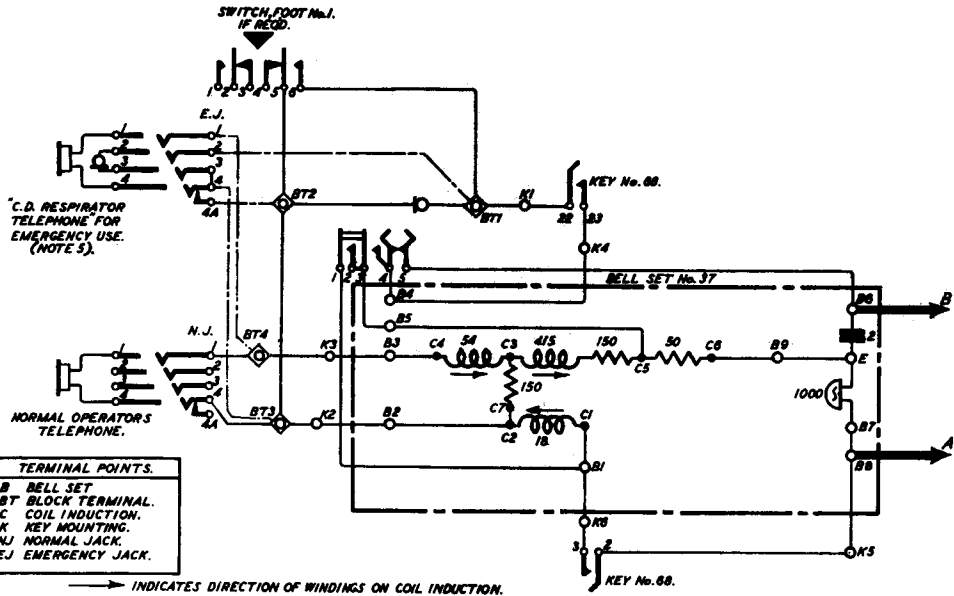
TERMINATION OF EXCHANGE LINES & EXTENSIONS USING A.S.T.I.C. CIRCUIT
FOR WESTERN UNION TELEGRAPH Co. LTD.(PHONOGRAM FACILITIES).
EXPLANATORY.

N 1610.

3 PANELS-1.

9-7-36.

Revisions: C.D. Respirator Telephone & M.A.R. 5 added. (9-1-36)
 Reviewer: C.D. Inductor No. 22 was M.A.R. 7. Note 4 added. (9-1-36)
 Amendment.



- TERMINAL POINTS.**
- B BELL SET
 - BT BLOCK TERMINAL.
 - C COIL INDUCTION.
 - K KEY MOUNTING.
 - NJ NORMAL JACK.
 - EJ EMERGENCY JACK.

→ INDICATES DIRECTION OF WINDINGS ON COIL INDUCTION.

R

N 1610

3 PANELS-2

NOTES.

1. TRANSMITTER INSET No.10 TO BE MOUNTED IN BRACKET TRANSMITTER No.5 WHICH CAN BE OBTAINED ON REQUISITION AS FOR N.R.B. ITEMS. THE SUBSCRIBER WILL PROVIDE AN EXTENDING BRACKET UPON WHICH THE TRANSMITTER CAN BE MOUNTED.
2. WHERE A DIAL IS NOT REQUIRED STRAP TERMLS.No.4&6 IN BELL SET.
3. IF AN EXTENSION INDICATOR IS REQUIRED REMOVE STRAP BETWEEN TERMLS. No.7 & 8 IN BELL SET No.37 & CONNECT INDICATOR No.220IAR
4. TERMLS. No.9 & E IN BELL SET No.37 ARE TO BE STRAPPED.
5. IN CASES WHERE IT IS REQUIRED TO USE A CIVILIAN DUTY RESPIRATOR TELEPHONE UNDER CONDITIONS LAID DOWN IN E.I. GENERAL.,GENERAL W4001:-
REMOVE STRAP BETWEEN TERMLS. BT2 & BT3 AND WIRE TO ADDITIONAL JACK No.21 AS SHEWN IN BROKEN LINES.

