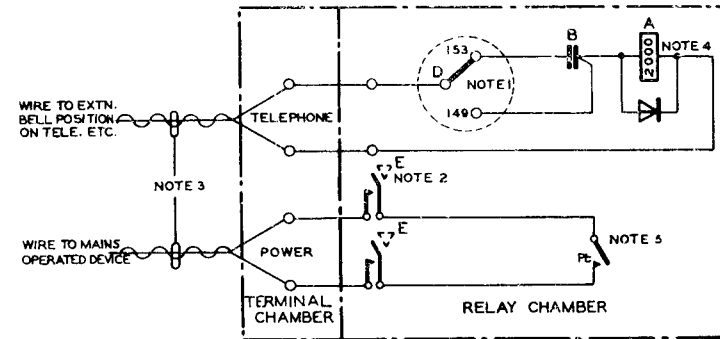


**RELAY UNIT CD 393**  
 (FLAME PROOF) TELE. STATIONS Z 3013.  
 FIRST USE WITH TELES. No.149 (CB.& AUTO) & No.153 (LB)  
 FOR RELAYING CALLING SIGNALS TO DEVICES OPERATED BY ELECTRIC SUPPLY MAINS 100-250 A.C. OR D.C.

N 1294  
ISSUE A



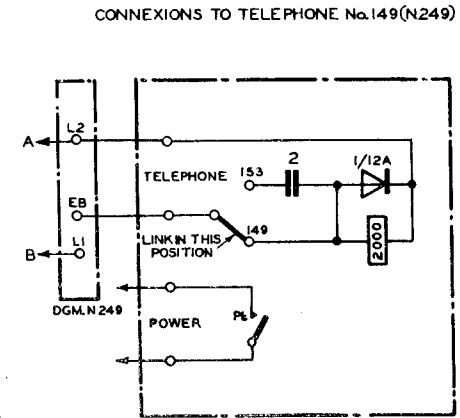
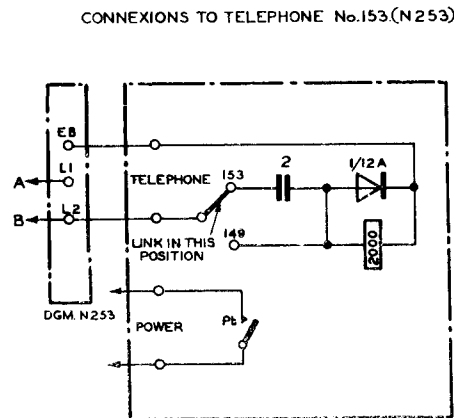
APPARATUS SCHEDULE

A	SPECIAL RELAY WITH 3000 TYPE PIECE PARTS AND HIGH VOLTAGE CONTACTS. (GEC. P 41162)
B	CONDENSER M.C. No. 170.
C	RECTIFIER ELEMENT 1/12 A.
D	STRAP IS MOUNTED ON TOP OF C.
E	INSULATED PLUNGER ON LID OF RELAY CHAMBER

NOTES:-

1. STRAP NORMALLY IN POSITION FOR TELE. No.153.
2. OPERATES ON THE REMOVAL OF RELAY CHAMBER COVER. NOT FITTED ON EARLIER MODELS.
3. WIRING TO BE IN ACCORDANCE WITH E.I. TELE. STATIONS Z 3013.
4. RELAY ADJUSTMENT. STANDARD-WHITE LABEL.
5. MAXIMUM LOADING 500 WATTS.

SCHEMATIC



PO  
TELECOMMS  
HOURS  
PAPER:- Y  
DISTN:-  
GENERAL

ISSUE

A	NEW FORMAT. MADE YELLOW.	<i>nl</i> TD 7.11	5.5.75
	E.S.R.		17.3.44