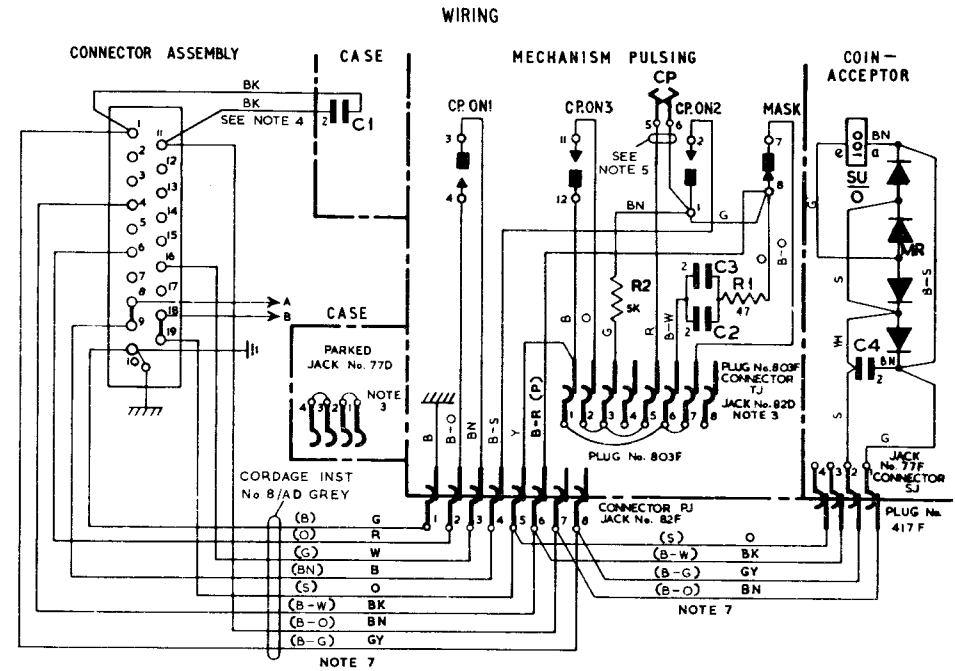


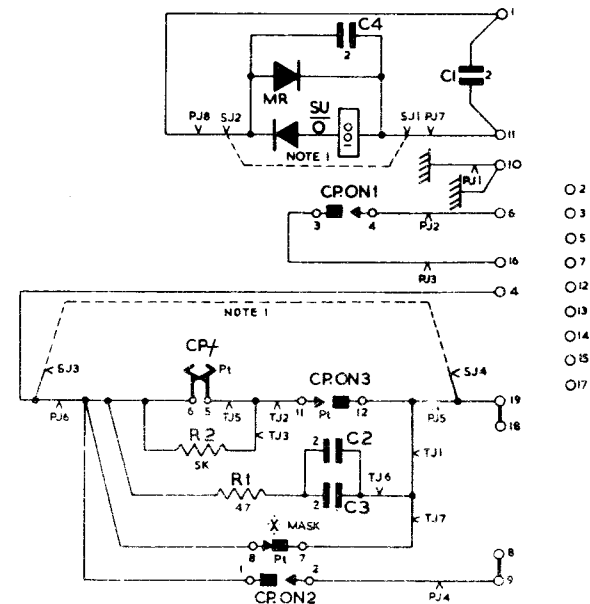
Apparatus schedule	
Item	Description
R1	Resistor No.91EJ 47R
R2	Resistor coil No.12A 5k
C1	Capacitor, paper No.7712 -1.
C2	Capacitor, paper No.7712.
C3	Capacitor, paper No.7712.
C4	Capacitor, paper No.7712.
MR	Rectifier element No.4/6AZ.
SU	P.O. relay No.13320.



NOTES:—

- These points are connected by transferring the parked jack 77D to the SJ plug to provide '999' service with mechanism removed.
- U point letter prefixes:—
SJ—slot unlocking unit and emergency service.
TJ—test jack on pulser unit.
PJ—pulser unit.
- Insulated sleeving to be provided on wires which cross.
- Wiring. Wire to be in accordance with drg. CD1766.
- Wire, Equipment 17. . . .
- For installation details see Dgm. N2423.
- Colours in brackets refer to Cordage, Instrument No. 8/AJ.

SCHEMATIC



* Shown operated
+ Coin pulser

ISSUES	DESCRIPTION	DATE
C	Colours changed to show AD cordage. Notes 6 & 7 added. Minor amendments. E.M.S.	28-9-78
B	Notes 4 & 5 added. Item C1 was 7712 New Format.	27-10-67
A	Note 1 amended, note 3 added. Minor amends.	11-1-62
	E. Seymour S1	8-3-61

PO
TELECOMMS
HQRS

PAPER:— W

DISTN:—
GENERAL