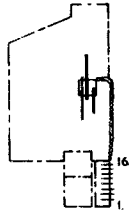


BOX C.C. PART-SPRINGSET & PLUG ASSEMBLY.
FOR USE WITH BOXES, COIN COLLECTING No.14...
COMPLETE.

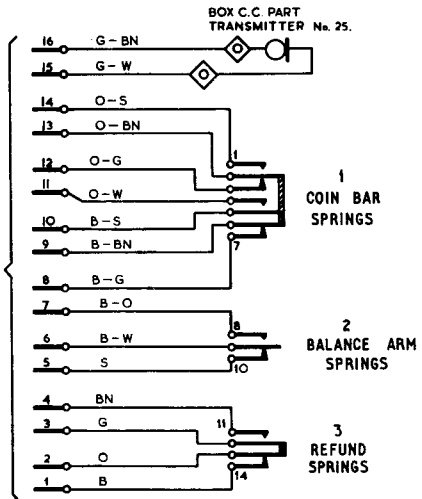
NI167
ISSUE D



WIRING

WIRING.	
U PT. No.	SPRING No.
1.	14.
2.	13.
3.	12.
4.	11.
5.	10.
6.	9.
7.	8.
8.	7.
9.	6.
10.	5.
11.	4.
12.	3.
13.	2.
14.	1.
15.	TO TRANS. No. 25.
16.	

CONNECTS TO
 JACK No.59 ON
 COIN BOX BELL
 SET No.33 ETC.



P.O.T.D.D.
 TD 1.4.2.

PAPER: W
 CIRCULATION
 C.B. & AUTO

ISSUES			
D	New format.	<i>JRH</i>	12-2-68
C	Minor corrections. Was 2 panels. Panel 1 cancelled. Supersession note deleted.		26-1-58
	J.R.H. SI		24-10-33