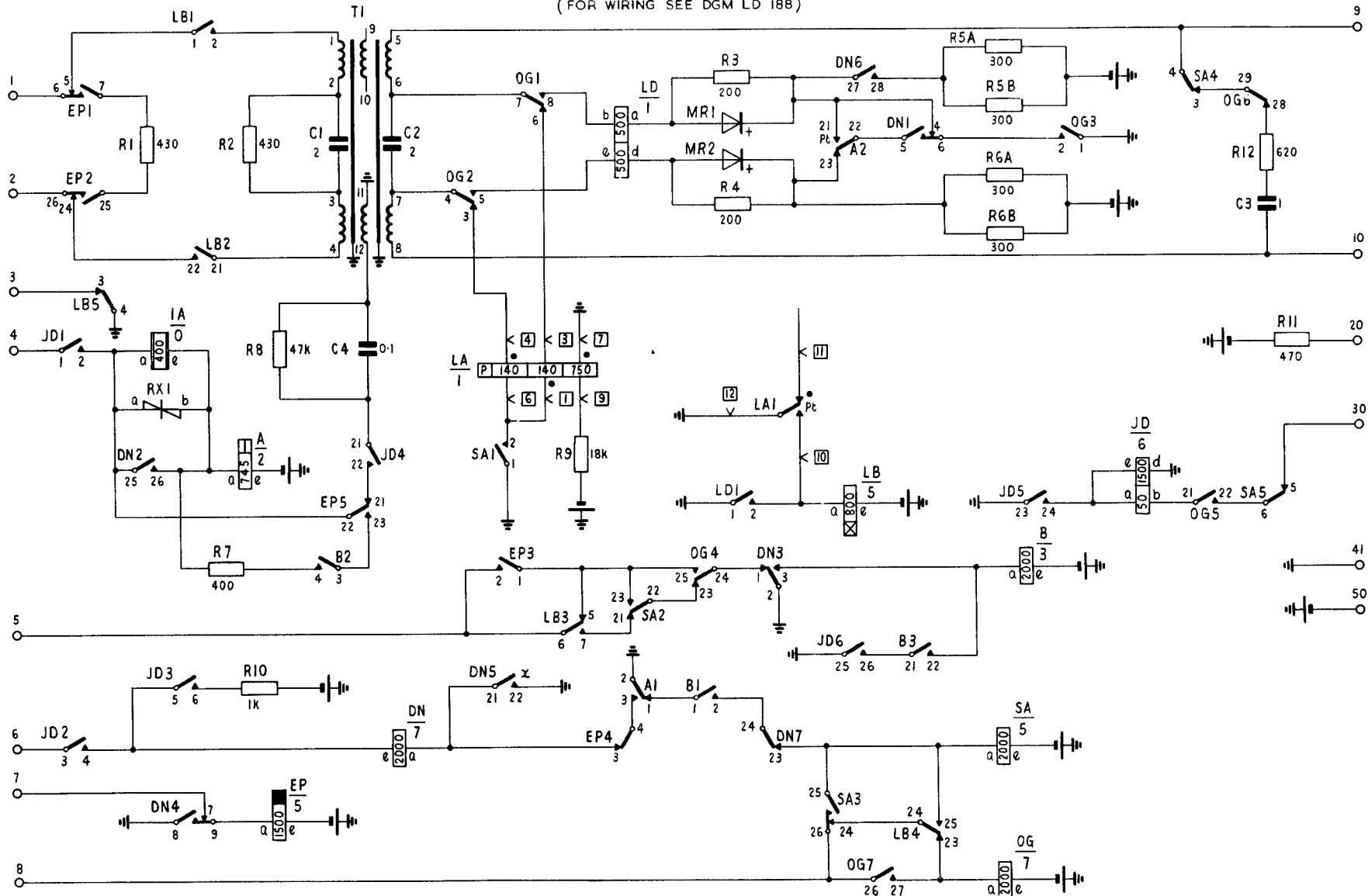


UNIT AUXILIARY APPARATUS No. 100
 FOR TERMINATING S C D C SIGNALLING CIRCUITS ON
 SWITCHBOARDS P M B X NO 2/... OR P M B X NO 3/...
 (FOR WIRING SEE DGM LD 188)



NOTES:-

1. FOR CONNEXION TO SWBD P.M.B.X. No. 2/2A AND 2/2B SEE DGM N1139 TO SWBD P.M.B.X. No. 2/3A SEE DGM N1149 AND TO SWBD P.M.B.X. No. 2/4A SEE DGM N1159.
2. FOR SIGNALLING LIMITS SEE T.I. C3P1061.

PO TELECOMMS HQRS PAPER:-W DISTN:- GENERAL	ISSUE				
	B	REDRAWN. MINOR CHANGES	24-5-78	TD 7-2-1	24-5-78
	A	NEW FORMAT. MINOR AMENDMENTS			1-4-66

TABLE 1. APPARATUS SCHEDULE

ITEM	RATE BOOK TITLE
A	RELAY HIGH SPEED No. 3/411W
B	RELAY No. 3217
DN	RELAY No. 16572
EP	RELAY No. 16573
IA	RELAY No. 3406
JD	RELAY No. 16574
LA	RELAY, POLARISED, No. 2B/108
LB	RELAY No. 4907
LD	RELAY No. 14678
OG	RELAY No. 6901
SA	RELAY No. 10665
C1, C2	CAPACITOR, PAPER No. 7710
C3	CAPACITOR, PAPER No. 7708
C4	CAPACITOR, PAPER No. 7711
MRI, MR2	RECTIFIER-ELEMENT No. 1/12AZ
R1, R2	RESISTOR, COIL No. 9 430 Ω
R3, R4	RESISTOR, COIL No. 9 200 Ω
R5A, R5B	RESISTOR, COIL No. 9 300 Ω
R6A, R6B	RESISTOR, COIL No. 9 300 Ω
R7	RESISTOR, COIL No. 9 400 Ω
R8	RESISTOR No. 9I EJ 47K
R9	RESISTOR No. 9I EJ 18K
R10	RESISTOR, COIL No. 9 1k
R11	RESISTOR, COIL No. 9 470 Ω
R12	RESISTOR, COIL No. 9 620 Ω
RX1	RESISTOR, NON-LINEAR No. 2
T1	TRANSFORMER No. 3/215A

TABLE 2. ADJUSTMENT OF SPECIAL HIGH SPEED RELAY No. 3/411W

SPECIAL MECHANICAL ADJUSTMENTS	CURRENT VALUES WINDING a-e		
	CONDITION	TEST VALUES (A)	RE-ADJUST VALUES (A)
RESIDUAL TRAVEL			
ADJUST LEVER SPRINGS TO MEET CURRENT TESTS	SATURATE	62	-
	HOLD	-	-
REFER TO E. I. TELES. AUTO B5178 FOR MAINTENANCE PROCEDURE	RELEASE	9.3	9.8
	NON-OP.	-	-
	OPERATE	18	17

TABLE 3. ADJUSTMENT OF POLARISED RELAY No. 2B/108

MECHANICAL ADJUSTMENTS	D.C. CURRENT VALUES						
	CONDITION	WDG. 1 (1-3)		WDG. 2 (4-6)		WDG. 3 (7-9)	
TO BE IN ACCORDANCE WITH E. I. TELES., AUTO B5174	SATURATE	33.5	33.5	33.5	-	25	-
	NON-OP.	-	-	-	-	-	-
	OPERATE	3.0	2.35	3.0	-	2.3	-