

PMBX No.2/...
 OPERATORS TELEPHONE CIRCUIT USING
 HEADSET No.1 IN ADDITION TO TELEPHONE No.746

SUPERSEDES INFORMATION SHOWN ON THE FOLLOWING :-
 N1102 PAGE 8
 N1103 PAGE 8
 N1104 PAGE 8

NOTES :-

- FOR APPARATUS REQUIRED SEE TABLE 1.
- PMBX No.2/2B (SAW71631) APPLY WORKS SPEC S(W) 2064
- PMBX No. 2/3A (SAW71640) } FIT JACK No.84C
 PMBX No. 2/4A(SAW71650) } IN PLACE OF BLANKING GROMMET ON THE
 LEFT HAND SIDE OF SWITCHBOARD BASE FLANGE,
 CONNECT JACK AS IN TABLE 2.
- TELEPHONE No.746 (N846,848,849) FIT SWITCH No.23B-1, PART 3/DBU/362 AND TWO PARTS 1/DPI/203. FIT CORD INST No. 11/05 AT (2/2B ONLY) OR CORD INST No. 10/16 AT (2/3A & 2/4A). CONNECT AS SHOWN IN TABLE 2. TRANSFER RED CONDUCTOR OF RECEIVER FROM T1 TO T11. TRANSFER BLUE CONDUCTOR OF TRANSMITTER FROM T3 TO T14. TRANSFER BLUE CONDUCTOR OF DIAL FROM T2 TO T5. FIT RECTIFIER ELEMENT No. 205. CONNECT AS SHOWN.
- REMOVE GRAVITY SPRING OPERATING LEVER AND RESTORING SPRING TO MAKE GRAVITY SPRINGS PERMANENTLY OPERATED.
- INTERNAL CONNEXIONS OF TELEPHONE NOT SHOWN. SEE N846.
- WHEN INTER-PBX DIALLING CIRCUITS ARE PROVIDED, CHANGE DIAL TO DIAL AUTO No.25FA, CLEAR AND PROVIDE CORD INST No. 2/148E 8 1/2" CONNECT ADDITIONAL DIAL CONTACTS D6-D7 AS SHOWN.
- SWITCH No.23B-1 COMPRISES TWO MICRO-SWITCHES ON A COMMON FRAME. EACH SWITCH HAS THE SAME COLOUR LEADS THEREFORE AFTER THE LEAD COLOUR SHOW (1) OR (2) TO INDICATE WHICH SWITCH IS REFERRED TO. EITHER SWITCH CAN BE MADE SA1.

TELEPHONE No.746 (NOTE 4)

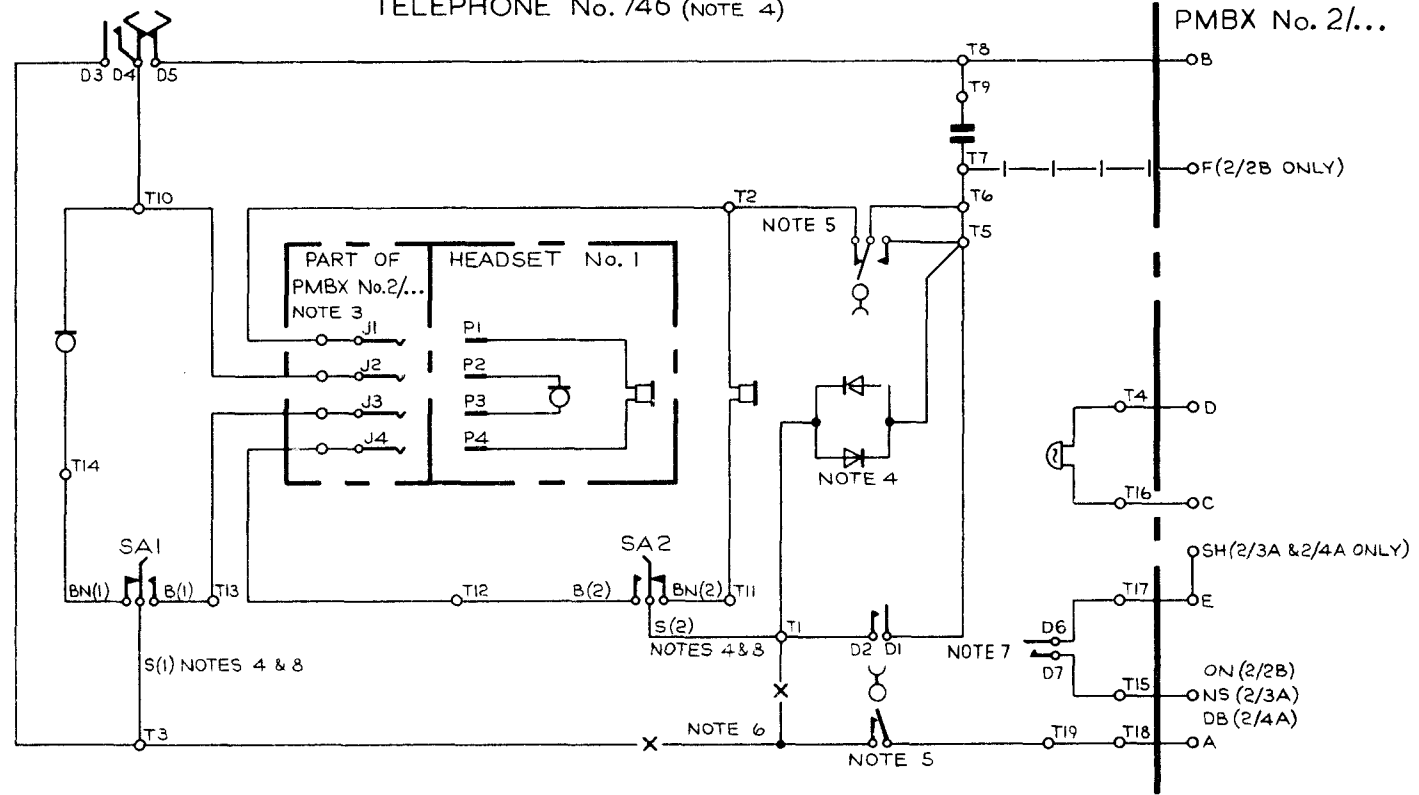


TABLE 1

TELEPHONE No.746	PMBX No.2/2B ONLY ADDITIONALLY
SWITCH No. 23B-1(SA)	COVER SWITCHBOARD No.1A
PART 3/DBU/362	PART 1/DBR/433 (BRACKET MOUNTING)
PART 1/DPI/203(2)	PART 2/DST/836 (STRIP CONN)
CORD INST No.11/05AT 36" OR 54" (2/2B ONLY) OR	PART 1/DBR/434 (BRACKET JACK)
CORD INST No.10/16AT 36" OR 54" (2/3A & 2/4A)	SCREW 4BA x 1/4" CH HD
RECTIFIER ELEMENT No. 205	SCREW 6BA x 5/16" CH HD
JACK No. 84C GREY	WIRE EQMT No.1... SLATE, ORANGE,
HEADSET No. 1 GREY	BLACK, BROWN
PLUG No.420 GREY WITH CORD INST No.4/77AB 54"	

TABLE 2

CCT CODE	CORD INST NO.11/05 OR 10/16 COLOUR	T 746 TERMLS	PMBX No.2/2B TERMLS	PMBX No.2/3A TERMLS	PMBX No.2/4A TERMLS
C	GREEN	16	5	13	5
B	RED	8-9	4	12	4
A	WHITE	18-19	3	11	3
D	BLUE	4	6	14	8
J3	ORANGE	13	3	19	7
J2	BLACK	10	2	18	6
J1	BROWN	2	1	17	1
J4	SLATE	12	4	20	2
F	GREEN/RED (11/05)	5-6-7	7	-	-
E	GREEN/RED(10/16)	17	-	15-16	9-10
ON/NS/DB	GREEN/WHITE	15	9	122	89
E	GREEN/BLUE (11/05)	17	41	-	-

PO
 TELECOMMS
 HQRS
 PAPER :- W
 DISTN :-
 GENERAL

ISSUE