

SWITCHBOARDS AT3796 & N1070
 MODIFICATION TO PROVIDE TRANSMISSION
 FOR OPERATOR DURING P.B.X. POWER SUPPLY FAILURE

N 1099
 PAGE 1-2
 ISSUE B.

SWITCHBOARD AT 3796 $\frac{10+30}{65} + \frac{10+50}{65}$

FIG. 1. OPERATOR'S CIRCUIT USING COIL INDUCTION No.6

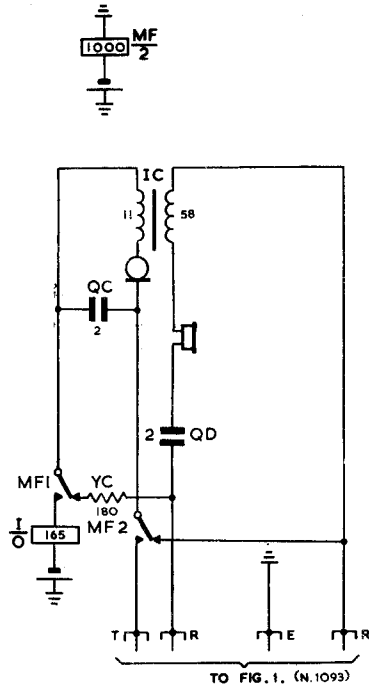


FIG. 2. MODIFIED OPERATOR'S CIRCUIT (ORIGINALLY TO FIG. 9. DGM. N1093)

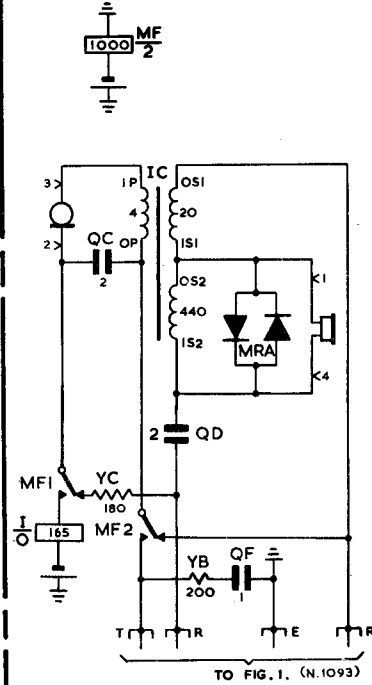
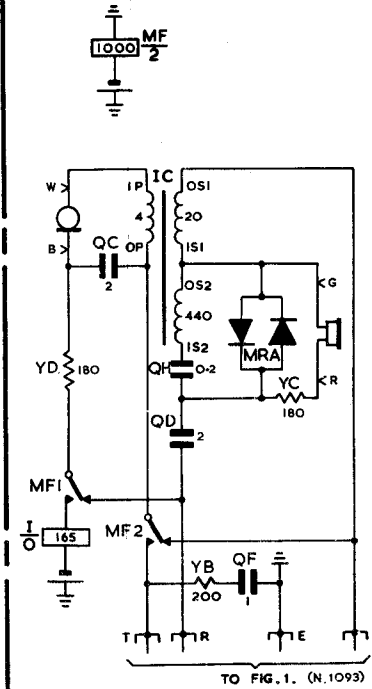


FIG. 3. MODIFIED OPERATOR'S CIRCUIT (ORIGINALLY TO FIG. 9A. DGM. N1093)



SWITCHBOARD N1070 $\frac{10+30}{65} + \frac{10+50}{65}$ (NOTE B)

FIG. 4. MODIFIED OPERATOR'S CIRCUIT (ORIGINALLY TO FIG. 2. DGM. N1070)

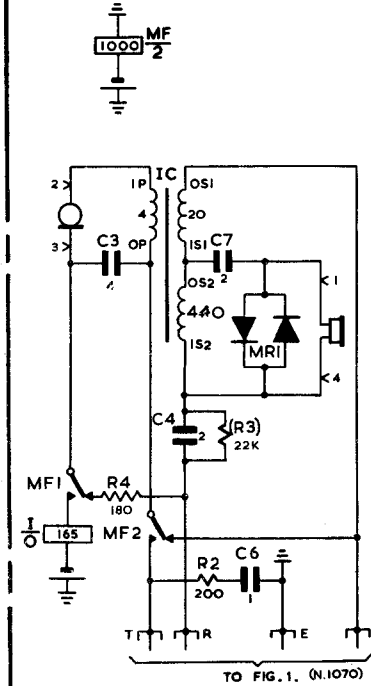
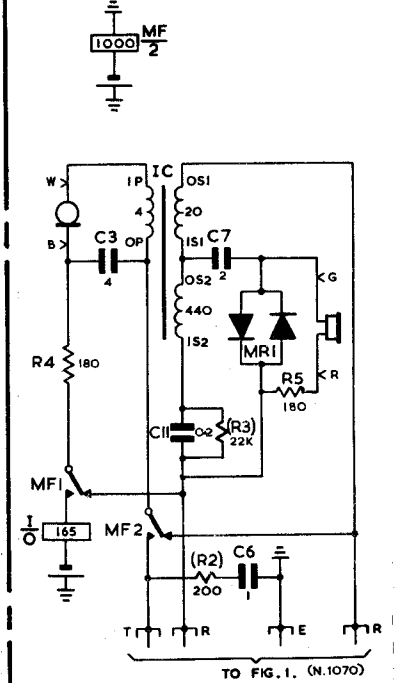


FIG. 5. MODIFIED OPERATOR'S CIRCUIT (ORIGINALLY TO FIG. 2A DGM. N1070)



NOTES :-

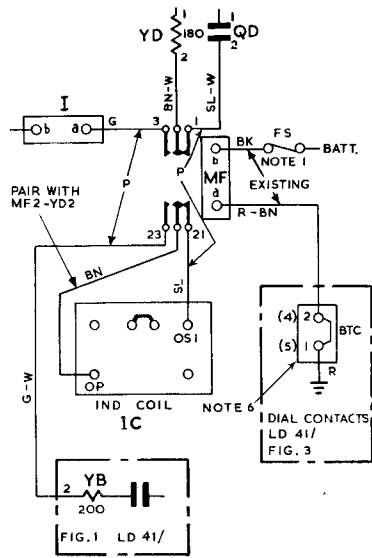
- A - In the event of a power failure the cord circuits must be switched to night service otherwise the transmission performance of the operator's circuit will be impaired.
- B - Only new installations of N1070 Swbds. to be modified.

P.O. TELECOMMS. HQRS. PAPER: W CIRCULATION GENERAL	ISSUES		
	B	PAGE 2; ADDL. WIRING NOTES TRANSPOSED. MINOR CORRECTIONS. <i>FLR</i>	9.12.68.
	A	NEW FORMAT <i>FLR</i>	8-8-67
		G.A.A. (S3)	8-9-61
		TDI. 5. 2 SECTION	

WIRING INSTRUCTIONS

FOR SWITCHBOARD AT 3796

ADDITIONAL WIRING REQUIRED TO PRODUCE FIG. 3 FROM S/W/B D'S WIRED TO FIG. 9A
DGMS. LD 41/O & LD 41/I

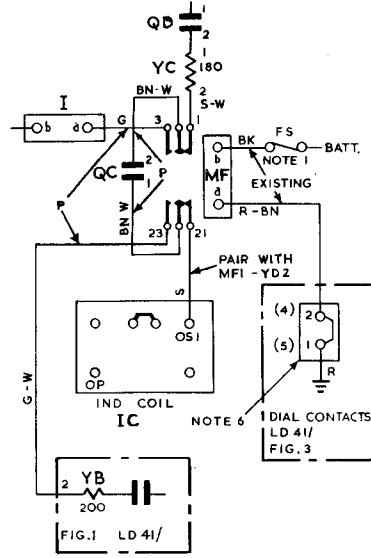


ADDITIONAL APPARATUS REQUIRED
MF - RELAY 502A & RELAY COVER AK
YC - RESISTOR COIL No. 12-180Ω (FIG. 2 ONLY)
FUSE - FUSE No. 44 A/O-25A

RECOVER WIRE TO YD 2 WIRE TO Ia WIRE RED-BLU FROM IC OP TO KS 29 OF FIRST CORD CCT (NOTE 5)

PROVIDE WIRING SHOWN ABOVE USING WIRE P.V.C No. 3 2W 6½lbs EXCEPT WHERE OTHERWISE INDICATED

ADDITIONAL WIRING REQUIRED TO PRODUCE FIG. 2 FROM S/W/B D'S WIRED TO FIG. 9
DGMS. LD 41/O & LD 41/I

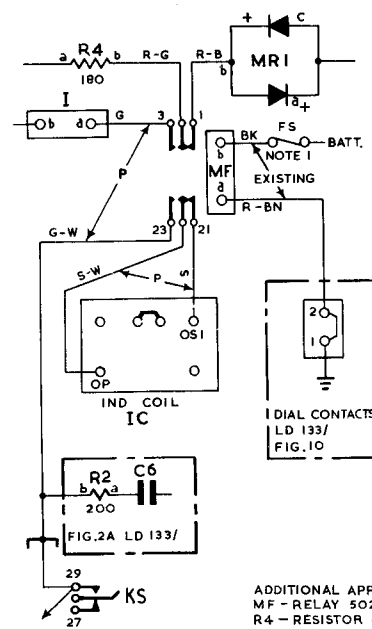


RECOVER WIRES FROM Ia SOLDER TOGETHER INSULATE & TIE BACK WIRE RED-BLU FROM IC OP TO KS 29 OF FIRST CORD CCT (NOTE 5)

PROVIDE WIRING SHOWN ABOVE USING WIRE P.V.C No. 3 2W 6½lbs EXCEPT WHERE OTHERWISE INDICATED

FOR SWITCHBOARD N 1070 (NOTE B, PAGE 1)

WIRING REQUIRED TO PRODUCE FIG. 5 FROM S/W/B D'S WIRED TO FIG. 2A
DGMS. LD 133/O & LD 133/I

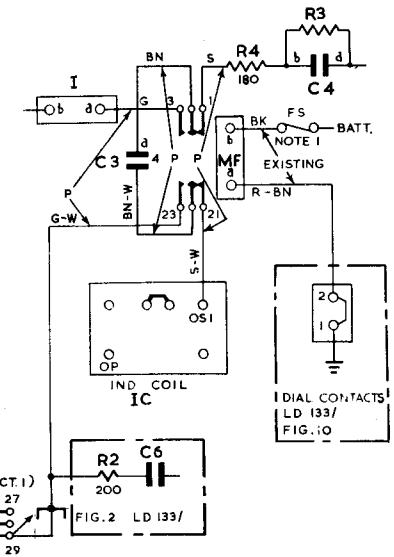


ADDITIONAL APPARATUS REQUIRED
MF - RELAY 502A & RELAY COVER AK
R4 - RESISTOR COIL No. 12 180Ω FIG. 4 ONLY
FUSE - FUSE No. 44 A/O-25

RECOVER G WIRE BETWEEN I - R4b R-O WIRE BETWEEN R2b-C3b R-O WIRE BETWEEN IC OP-KS 29 (NOTE 5)

PROVIDE WIRING SHOWN ABOVE USING WIRE P.V.C No. 3 2W 6½lbs EXCEPT WHERE OTHERWISE INDICATED

ADDITIONAL WIRING REQUIRED TO PRODUCE FIG. 4 FROM S/W/B D'S WIRED TO FIG. 2
DGMS. LD 133/O & LD 133/I



RECOVER G WIRES ON I SOLDER TOGETHER INSULATE & TIE BACK R-O WIRE BETWEEN R2b - C3b R-O WIRE BETWEEN IC OP-KS 29 (NOTE 5)

PROVIDE WIRING SHOWN ABOVE USING P.V.C No. 3 2w. 6½lbs EXCEPT WHERE OTHERWISE INDICATED

NOTES

1. Fuse rating 0-25A.
2. Fuse to be mounted in position marked Relay ES and relay MF in position marked ES (on earlier swbds. read KS for ES). Where relay ES is fitted mount relay MF & fuse where convenient and provide additional wiring.
3. Relay armature, relay cover and fuse mounting to be sign written as appropriate.

4. Resistor YC (Fig. 2) R4 (Fig. 4) to be screwed to woodwork.
5. All disconnected wiring to be insulated and tied back.
6. Terminals (4)(5) refer to Dgm. LD 41/O, terminal 1, 2 to Dgm. LD 41/I.
7. Wiring instructions for Fig. 1 to be prepared locally.
8. Pasted-in label Diagram to be prominently marked "Modified and Sign written to Dgm. N 1099."