

CIRCULATION

C. B. & AUTO.

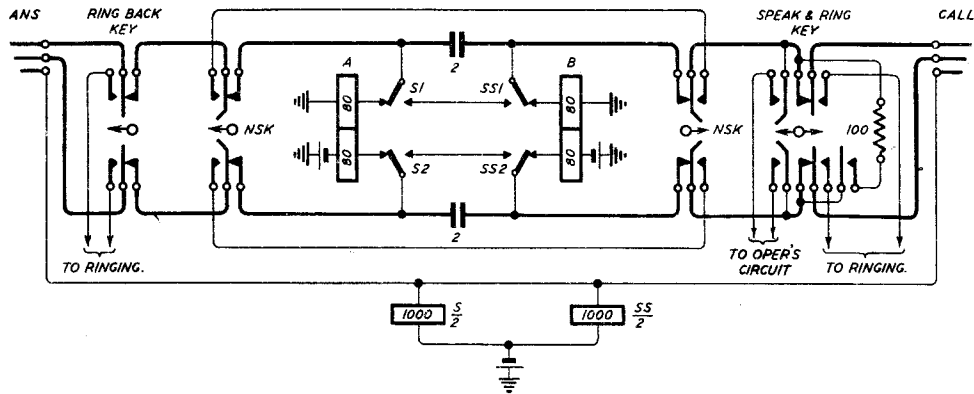
PANEL 3 & CONTACT NUMBERING ADDED 14.6.65 B					
MADE 2 PANELS, SUPERSESSION					
NOTE ADDED S555 A					
Amendment					

SWITCHBOARD CB873

MODIFIED FOR DIVIDED CORD CIRCUIT WITH
THROUGH FEED ON EXCHANGE CALLS

N 1095. 16.10.35.
3 PANELS-1

Supersedes N969
N.1082 & MISC.5122 for new work.
SUPERSEDED BY PANELS 2 & 3
FOR NEW WORK.



NOTES:-

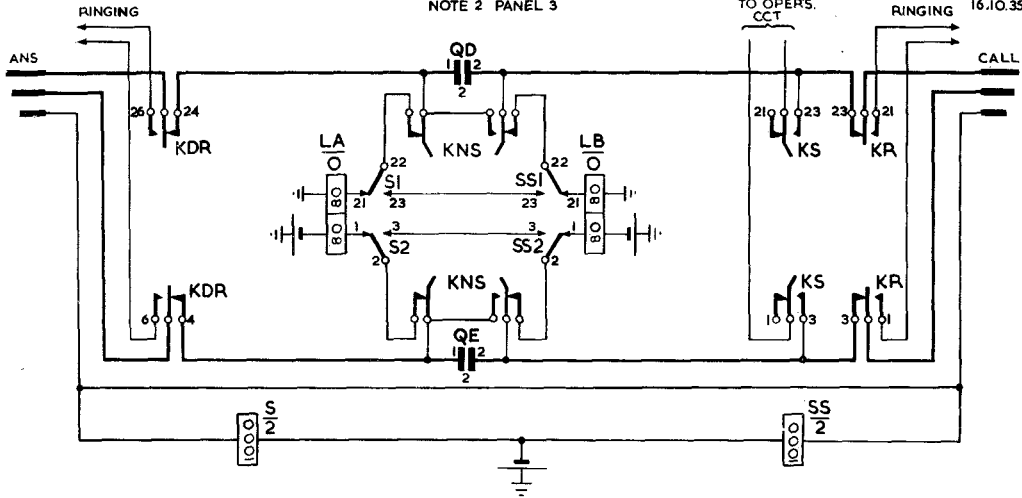
1. S & SS = RELAY No. 502 A. A & B = COILS, RETARDATION No. 39 A.
2. EXISTING NIGHT SERVICE KEYS No. 238 TO BE REPLACED BY 10 KEYS No. 289. THE FIRST 4 KEYS No. 289 TO BE UTILISED FOR EXTENSION CIRCUITS, OPERATOR'S CIRCUIT, EXCHANGE LINE JACK BUSHES & N.A. CIRCUIT. CONNECTIONS TO BE AS SHOWN ON DIAGRAM CB 874. THE REMAINING 6 KEYS No. 289 TO BE WIRED AS SHOWN ON THIS DIAGRAM USING 2 KEYS PER 3 CORD CIRCUITS.

y

CIRCULATION	GENERAL
	Suffix
PANEL 3 AND CONTACT NUMBERING ADDED. MADE 2 PANELS, SUPERSESSION NOTE ADDED.	4.6.55. B
	5.5.55. A
PAPER	W
	Amend.:

SWITCHBOARD CB 873.
 MODIFIED FOR DIVIDED CORD CIRCUIT WITH
 THROUGH FEED ON EXCHANGE CALLS.
 NOTE 2 PANEL 3

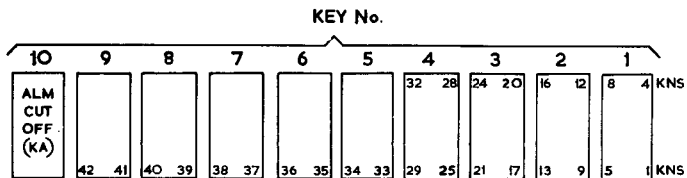
NIO95
 3 PANELS-2
 SUPERSEDES PANEL 1
 FOR NEW WORK.
 16.10.35.



N1095

3 PANELS-3

SWITCHBOARD CB873
MODIFIED FOR DIVIDED CORD CIRCUITS WITH
THROUGH FEED ON EXCHANGE CALLS



NIGHT SERVICE KEYS
VIEWED FROM REAR OF SWITCHBOARD

NOTES:-

1. SEE N930 FOR EXTENSION, EXCHANGE LINE, AND OPERATORS CIRCUITS.
2. WORKS SPECIFICATION S(W)2074. REFERS.