

# SECTIONS SWITCH BE. C.B. MULT. No. 9

## CORD CIRCUIT (SCHEMATIC)

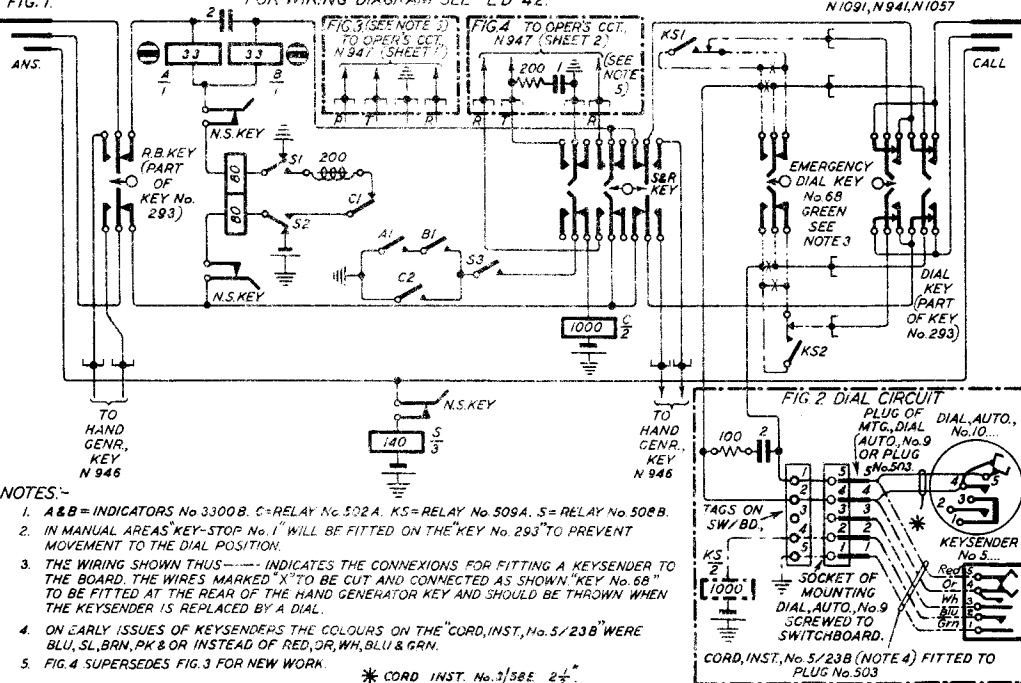
FOR WIRING DIAGRAM SEE LD 42.

N 1094

6-B-35

SUPERSEDES FOR NEW WORK  
N 1091, N 941, N 1057

FIG. 1.



RELAY No. 508B WAS 508A.	17-1-39	D
Reference to wiring diagram was AT 3929.	16-6-37	C
Redatum Para 3, 8, 4, App'd Ld. No. 2 Modified.	15-5-37	B
Suppression Note Added (Dual No. AT 3970 - Deleted)	14-6-36	A
Amendment		

## NOTES:-

1. A & B = INDICATORS No 3300 B. C = RELAY No 502A. KS = RELAY No 509A. S = RELAY No 508B.
2. IN MANUAL AREAS "KEY-STOP No. 1" WILL BE FITTED ON THE "KEY No. 293" TO PREVENT MOVEMENT TO THE DIAL POSITION.
3. THE WIRING SHOWN THUS ----- INDICATES THE CONNEXIONS FOR FITTING A KEYSENDER TO THE BOARD. THE WIRES MARKED "X" TO BE CUT AND CONNECTED AS SHOWN. "KEY No. 68" TO BE FITTED AT THE REAR OF THE HAND GENERATOR KEY AND SHOULD BE THROWN WHEN THE KEYSENDER IS REPLACED BY A DIAL.
4. ON EARLY ISSUES OF KEYSENDERS THE COLOURS ON THE "CORD, INST., No. 5/23B" WERE BLU, SL, BRN, PK & OR INSTEAD OF RED, OR, WH, BLU & GRN.
5. FIG. 4 SUPERSEDES FIG. 3 FOR NEW WORK.

\* CORD INST. No. 3/38E 2 1/2".