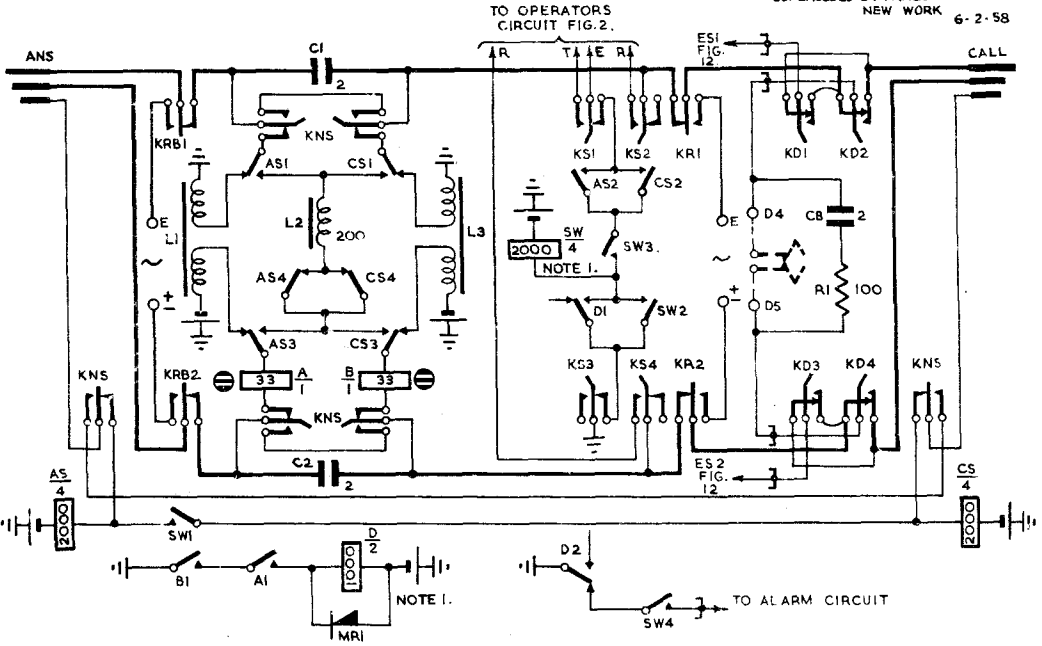


# SWITCHBOARD N1070.

## MODIFICATION FOR AUDIBLE CLEARING FACILITIES.

N 1071  
4 PANELS-1.  
SUPERSEDED BY PANELS 384 FOR  
NEW WORK 6-2-58

GENERAL  
 22.2.65 B  
 26.6.58 A  
 INDICATOR CONTACT POSITIONS REVERSED  
 MADE 4 PANEL REVISION NOTE ADDED  
 Y



N 1071.

4 PANELS-2

NOTES.

1. SW RELAY = RELAY No. 516A. IN PLACE OF EXISTING RELAY No. 507A.  
D " = " No. 502A.  
MRI = RECTIFIER ELEMENT No. 1/6A.
2. SEE DIAGRAM N1070 FOR SWITCHBOARD N1070
3. WHEN DISCONNECTING A FINISHED CALL THE OPERATOR  
MUST RE-ENTER THE CIRCUIT.
4. SWITCHBOARD TO BE CLEARLY MARKED "MODIFIED TO DIAGRAM N1071"

# SWITCHBOARD N1070

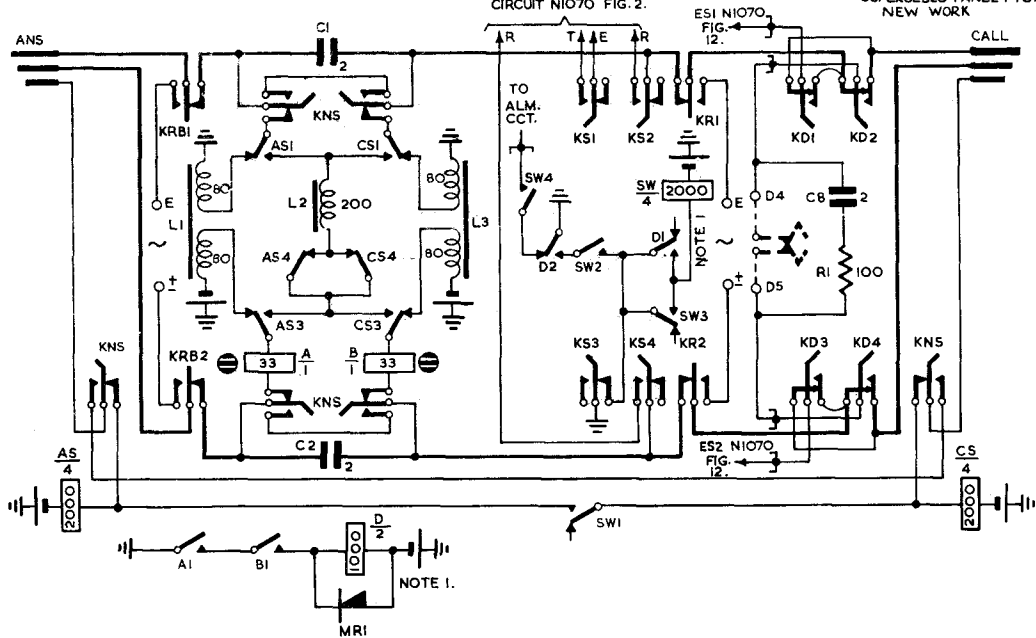
## MODIFICATION FOR AUDIBLE CLEARING FACILITIES.

N 1071  
4 PANEL 5-3  
6-2-58

SUPERSEDES PANEL I FOR  
NEW WORK

GENERAL  
22.2.65. B  
INDICATOR CONTACT POSITIONS REVERSED  
MADE 4 PANELS SUPERSESSION NOTE ADDED 26.6.61 A

W



## NOTES.

## ADDITIONAL APPARATUS TO BE REQUISITIONED SEPARATELY :-

1. SW RELAY = RELAY No. 516A. IN PLACE OF EXISTING RELAY No. 507A. } ONE PER CORD  
    D    "    =            No. 502A. & RELAY COVER AK                } CIRCUIT  
    MRI        = RECTIFIER ELEMENT No. 1/6A.  
    RECTIFIERS MOUNTED ON PART No. 1/SPO/30 - ONE PER TWO CORD CIRCUITS.  
    MOUNTING No. 146/20C. - ONE PER SWITCHBOARD.
2. SEE DIAGRAM N1070 FOR SWITCHBOARD N1070.
3. WHEN DISCONNECTING A FINISHED CALL THE OPERATOR MUST RE-ENTER THE CIRCUIT.
4. SWITCHBOARD TO BE CLEARLY MARKED "MODIFIED TO DIAGRAM N1071."
5. ADDITIONAL APPARATUS SHOULD WHERE POSSIBLE BE MOUNTED ABOVE EXISTING RELAYS. WHERE THIS IS NOT PRACTICAL MOUNT THE APPARATUS EXTERNAL TO THE SWITCHBOARD.  
    IN BOTH CASES A MOUNTING No. 140/20C SHOULD BE USED SUPPORTED ON LOCALLY MADE BRACKETS.