

## STD METERING AT PMBX'S

### CORD CIRCUIT METERING AT BECB No 10 INSTALLATIONS (TYPICAL ARRANGEMENTS)

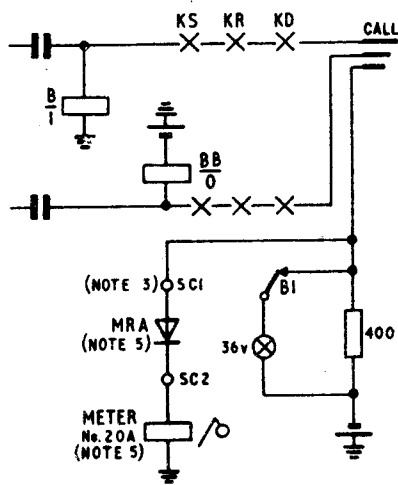


FIG. 1 CORD CIRCUIT NOTE 1

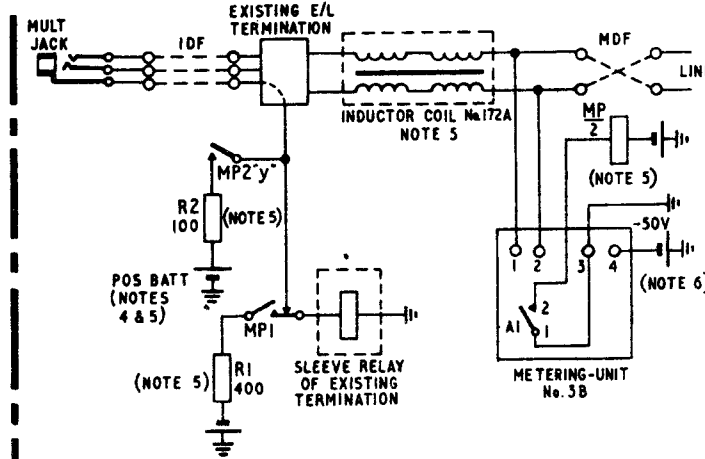


FIG. 2 EXCHANGE LINE TERMINATION NOTE 2 EXPLANATORY

NOTES:-

- 1 For modifications to cord circuits wired to Dgm SA7300/0 see Dgm SA 7321 and Works Spec S(W) 2012  
For modifications to cord circuits wired to Dgm SA7300/1 see Dgm SA7322 and Works Spec S(W) 2012
- 2 For modifications to exchange line terminations wired to Dgm SA7302 see Dgm SA7323 and Works Spec S(W) 2012  
For modifications to exchange line terminations wired to Dgm SA7311 see Dgm SA7325 and Works Spec S(W) 2012  
For modifications to exchange line terminations wired to Dgm SA7312 see Dgm SA7324 and Works Spec S(W) 2012  
For modifications to exchange line terminations wired to Dgm SA7314 see Dgm SA7326 and Works Spec S(W) 2012
- 3 SC1 and SC2 are typical. They represent tags on the Strip Connexion No. 145/DN. Fig.3 illustrates tag layout on a Strip Connexion No. 145/DN
- 4 Positive battery supply should be from a Power-Unit No.57A modified as indicated in Works Spec S(W) 2012
- 5 The Relay MP (Relay No.14752), M.U.No 3B, inductor Coil No.172A, Resistors R1 & R2 (Resistors, Coil No.9) Strip Connexion No.145/DN, Valve Electronic CV7048 (MRA), Meter No.20A and positive battery supply are additional items provided for cord circuit metering. Typical layout of relay and resistors is shown in Fig.4
- 6 The metering units should be powered separately from a Power-unit No.51A as indicated in Works Spec S(W)2012

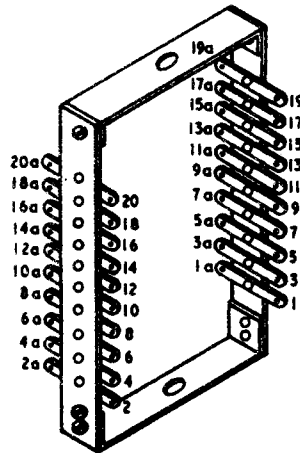


FIG. 3 STRIP, CONNEXION No. 145/DN TAG LAYOUT

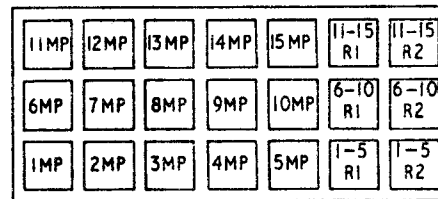


FIG. 4 MOUNTING No. F151/21AH 15 CCTS PER PLATE (TYPICAL)

P O TELECOMMS HQRS	ISSUE			
PAPER:- W				
DISTN :- GENERAL		A New format. Minor amendments	M.G.M	28-3-73
		E.C. Stevens		3-8-61