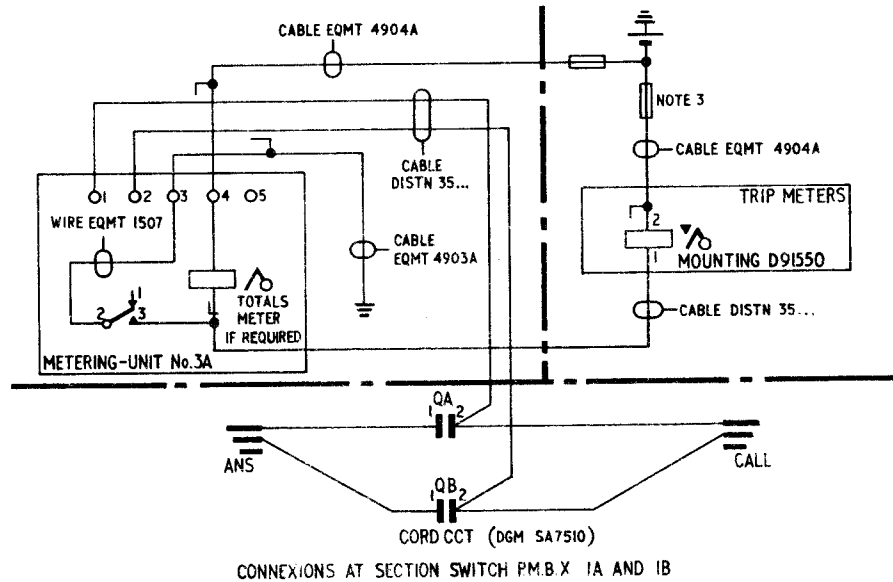
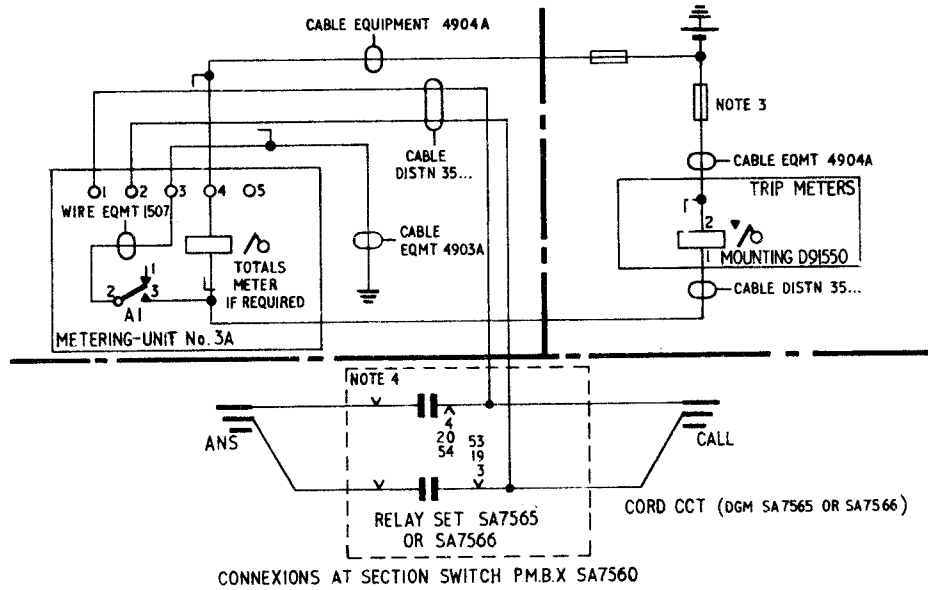


S.T.D. METERING AT P.M.B.X.'S
CORD CCT. METERING AT P.M.B.X. IA & IB INSTALLATIONS (NOTE 1)



DESCRIPTION	APPARATUS	SCHEDULE	No. OFF
Fuse No. 44A/0.5			One per Mounting D91550
Fuse No. 44A/1.0			One per 10 M.U.s No. 3A
Fuse-mountings			As required to suit installation
Label No. 399A (note 5)			One per Mounting D91550
Meter No. 21A			One per cord circuit to be equipped
Meter Dummy No. 2			As required
Metering-unit No. 3A			One per cord circuit to be equipped
Mounting D91477			One per Metering-unit No. 3A
Mounting D91550			As required
Part 1/SC0/40, grey			Two per cord circuit to be equipped

NOTES :-

- 1 Through clearing installations only.
- 2 Earth connexion should be made at the apparatus rack busbar or, if more convenient, at M.D.F. or switchboard earth busbar.
- 3 Location of fuse-mounting will vary according to circumstances at individual installations. Fusing of the meters should be provided as follows :-
1 Fuse No. 44A/0.5 per Mounting D91550 (ie. per 5 meters)
1 Fuse No. 44A/1.0 per 10 M.U.s No. 3A
- 4 The Metering-unit No. 3A should be connected to the shelf jack U points of the cord circuit to be equipped.
- 5 Label No. 399A engraved 1 3 5 7 9
Label No. 399 can be engraved as required.

PO TELECOMMS HQRS PAPER :- W DISTN :- GENERAL	ISSUE	B	Part 1/SC0/40 was 1/SC0/49 Note 6 and Parts 1/DBL/95 deleted. <i>MWH</i> TD 7-2-1	1.12.75
		A	New format. Minor amendments. U.M. IA & Mtgs No 165/... A deleted. M.U. No. 3A & Mtgs 91550 & 91477 added. <i>MWH</i> TD 2-4-1	7.5.73
E.C.C. STEVENS				29.5.61