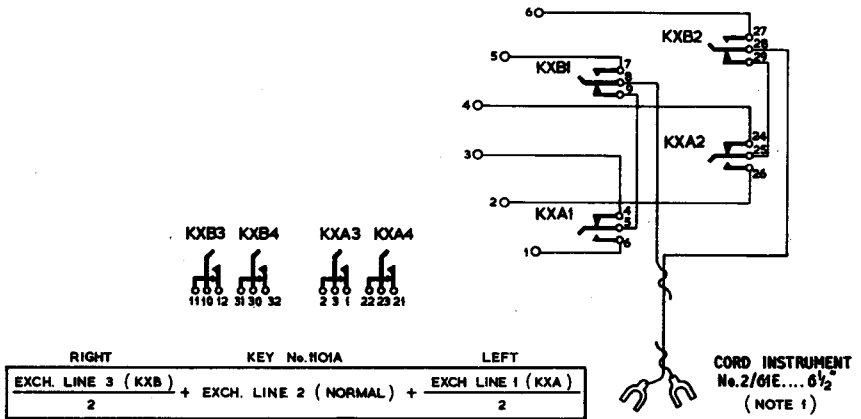


S.T.D. METERING AT P.M.B.X.'s  
 MISCELLANEOUS APPARATUS SWITCHING UNIT No.6.  
 (NOTE 2)

N1015  
 ISSUE A



NOTES

1. Cord instrument 2/61E... 6 1/2" is provided with switching-unit No.6.
2. See Dgm. N1004 for use with SWBD. P.M.B.X. No.2/2A. See Dgm. N1007 for use with SWBDs.  
 CB. 935  $\frac{2+4}{6}$  &  $\frac{3+9}{12}$

ISSUES			
PAPER: W CIRCULATION GENERAL	A	New format. <i>Paul</i>	14-5-68
		E. C. C. Stevens.	11-7-62