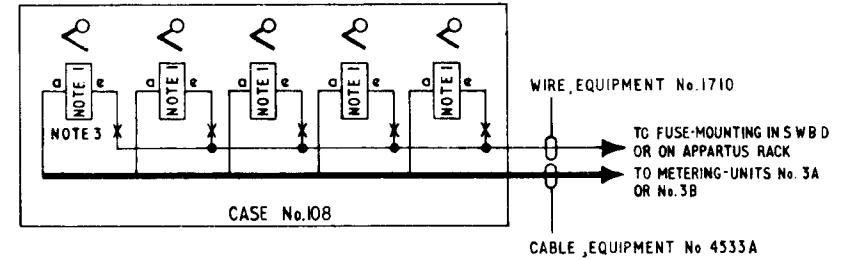
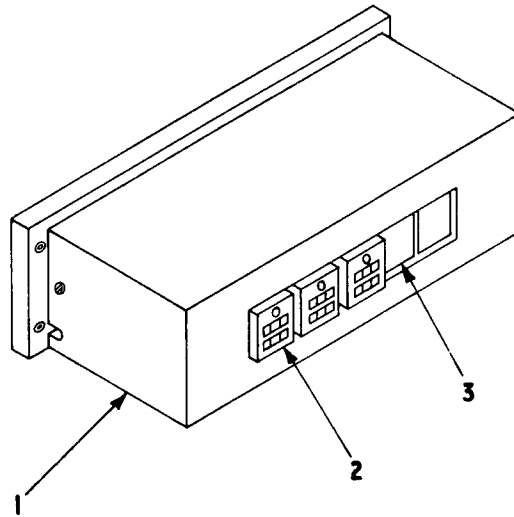


S.T.D. METERING AT P.M.B.X'S
CASE No. 108 FITTED FOR SCHEMES A & D (NOTE 2)

N1013
ISSUE A



SCHEDULE OF APPARATUS REQUIRED		
ITEM	DESCRIPTION	No. OFF
1	Case No. 108	1 per 5 meters (No.150A)
2	Meter No. 150A	1 per exchange line to be metered
3	Meter, Dummy No.4	As required

NOTES:-

1. Meters No. 150A fitted as required
2. See Dgm. N1010 for details of metering schemes.
3. Resistors, Coil No.9, 350Ω, to be inserted at points 'x' at B.E.C.B. No.10 installations only.

P O TELECOMMS HQRS	ISSUE			
PAPER:- W				
DISTN:- GENERAL				
		A New format. Minor amendments	TD 2.4.1 Section	ALW 12-3-73
		E. Stevens		11.12.59