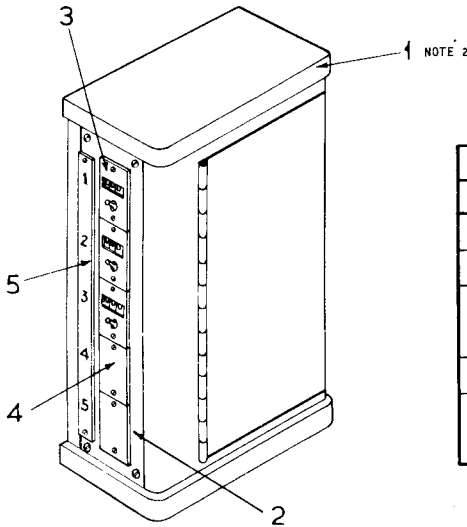
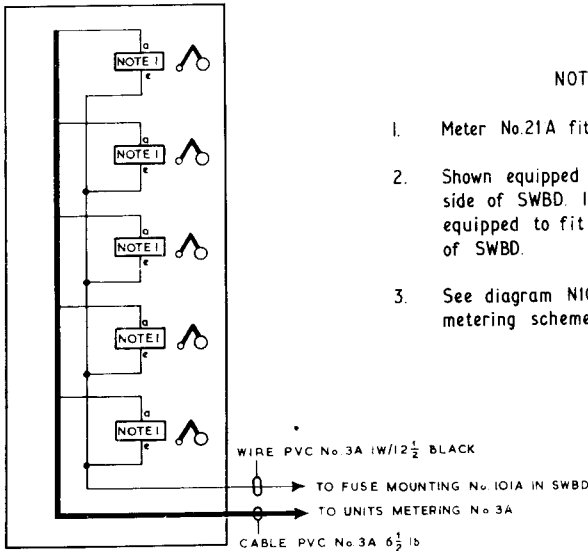


S.T.D. METERING AT P.M.B.X.'s
CASE No.24 FITTED FOR SCHEME B (NOTE 3)

NIO11
ISSUE A



SCHEDULE OF APPARATUS REQUIRED		
ITEM	RATE BOOK TITLE	QUANTITIES
1	Case No.24.	1 per 5 meters
2	Mounting D91548	1 per 5 meters
3	Meters No.21A	1 per exch. line to be metered
4	Meters dummy No.2	As required
5	Label No.361A,B,C,D	As required for mounting D91548



NOTES

1. Meter No.21A fitted as required.
2. Shown equipped to fit on right hand side of SWBD. If required may be equipped to fit on left hand side of SWBD.
3. See diagram NIO10 for details of metering schemes.

P.O.T.D.D.
T.D.I.5.2.

PAPER: W

CIRCULATION
GENERAL

ISSUES			
	A		
	New format	<i>TSR</i>	14-5-68
	E. C. C. Stevens	S3/2	11-12-59