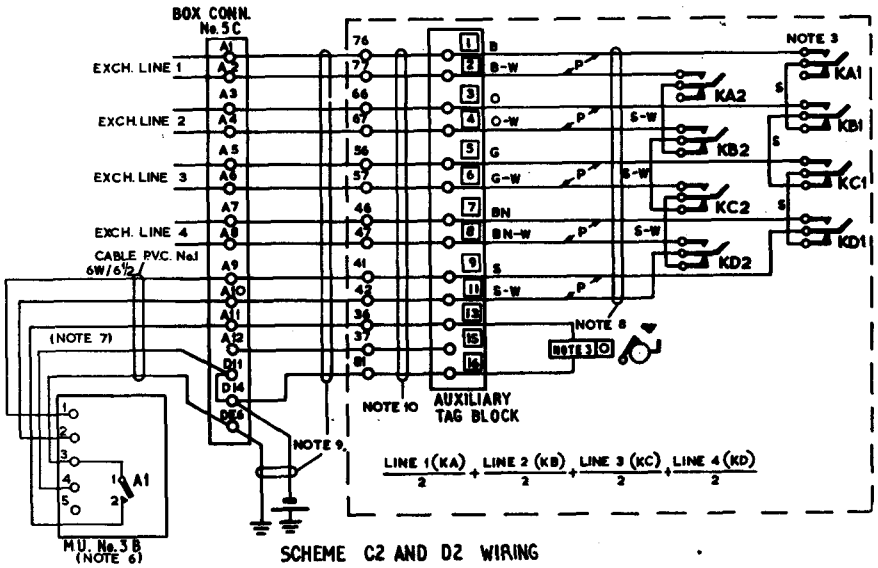
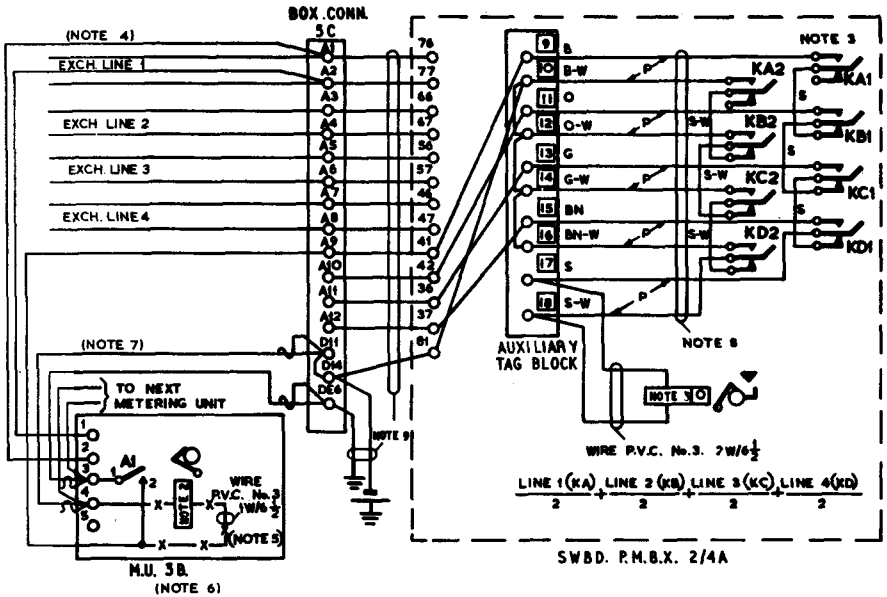


SCHEME C1 WIRING



SCHEME C2 AND D2 WIRING



Post Office
 Telecomms.
 Headquarters
 TD 1. 5. 2.
 Paper W
 Circulation
 GENERAL

ISSUES			
	A	New Format E.C.C. Stevens	19-8-68 9-12-63

RATE BOOK TITLE	SCHEME C1	SCHEME C2	SCHEME D2
Metering Unit No.3B(Note 6)	One	1 per E/L to be metered	1 per E/L to be metered
Mounting D91477	One	1 per MU No.3B	1 per MU No.3B
Part 1/DBL/95	Two	As required	As required
Meters No.21B, Grey	One	One	One
Meters No.150c	Nil	Nil	1 per MU No.3B
Switching Unit No. 7/4A	One	One	One
Strip, Designation 34 A complete	One	One	One
Strip, Designation 35 complete	One	One	One

TABLE 1. METERING UNIT CONNEXIONS FOR SCHEMES C2 AND D2			
Exchange Line No.	M.U. 3B Tags 1 & 2 wired to Box Connexion 5C tag No.		Make contact of Relay in M.U. to Box Connexion 5C tag No.
1	A1	A2	A9
2	A3	A4	A10
3	A5	A6	A11
4	A7	A8	A12

NOTES

- See Dgm. N1010 for details of metering schemes.
- Meter No.150 C is to be mounted on the position provided in the MU3B.
- Keys KA, KB, KC and KD are mounted on the Switching Unit 7/4A, and are operated by press buttons. When all buttons are in the released position (out) the Meter Circuit will be disconnected. Depressing any button will cause the Meter to be connected to the appropriate Exchange Line. The subsequent operation of any other button will release the one previously operated. It is possible to depress and lock in more than one button at a time. If this occurs the Meter will be connected to the highest Exchange Line only of the group. The buttons can be released by depressing the button of the Exchange Line which is to be metered.
To fit the Switching-Unit 7/4A and Meter No.21B, Grey, the Strip, Designation No.41A complete should first be removed from the face panel of the switchboard. A Strip, Designation No.34A should be mounted above the first free Link Lamp using the screws provided. The Switching Unit and the Meter should then be positioned in the face panel with the Meter to the left of the Switching Unit. Screws 6 B.A. x $\frac{3}{16}$ in. csk. hd., Elephant Grey, should be used to fit both items. A Strip, Designation No.35A should be provided in place of the existing Designation Strip using the upper fixing screws of the Switching Unit and Meter.
- MU connexions shown for first Exchange Line only. For other Exchange Lines see Table 1.
- For scheme D2 the additional wiring shown thus -x-x-x- should be provided.
- Works Specification S(W)2014 gives details of Metering Units No.3B.
- A strap should be provided between tags D11 and D14.
- The Switching Unit 7/4A is supplied with leads connected to the keys as shown.
- The wiring between the Box Connexion No.5C and swbd. is in accordance with Dgm. N1104 and will be provided when the swbd. is installed
- This wiring is provided by the switchboard manufacturer.