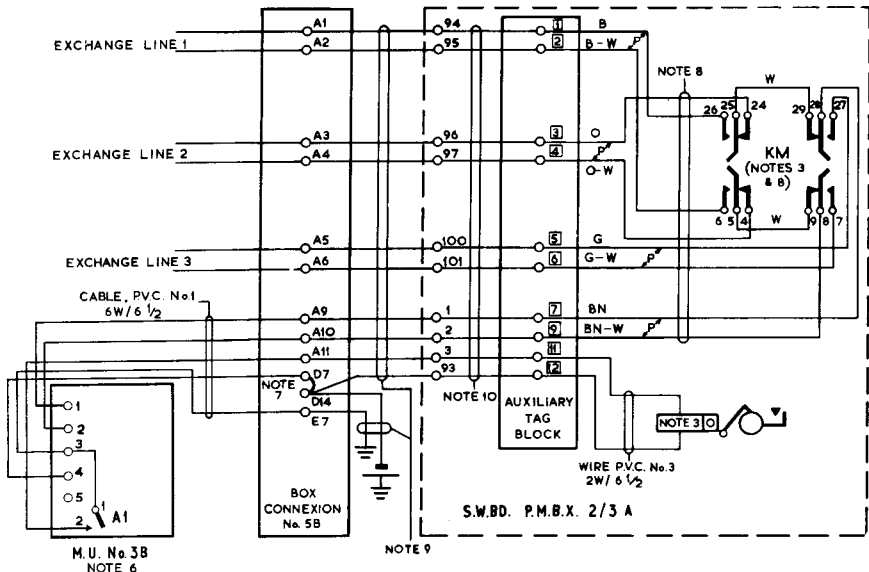


SCHEME C1 WIRING

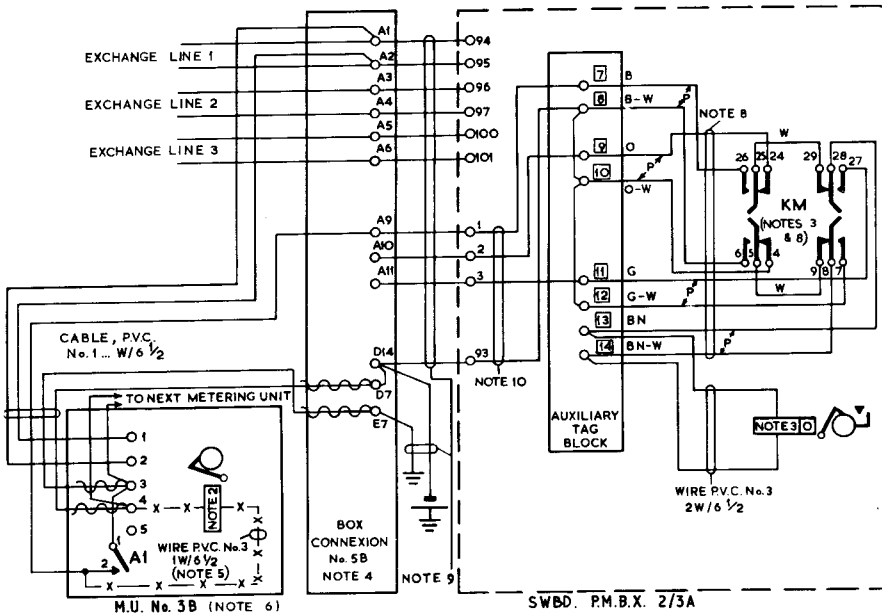


APPARATUS SCHEDULE			
RATE BOOK TITLE	SCHEME C1	SCHEME C2	SCHEME D2
Metering -Unit No.3B (note 6)	one	1 per exch. line to be metered	1 per exch. line to be metered.
Mtg. D91477	one	1 per M.U. No.3B	1 per M.U. No.3B
Part 1/DBL/95	two	as required	as required
Meters No.21B, Grey	one	one	one
Meters No.150C	nil	nil	1 per M.U. No.3B
Key No.1101A	one	one	one
Strip, Designation 33, Complete	one	one	one

TABLE 1 METERING UNIT CONNEXIONS FOR SCHEMES C2 AND D2.		
Exchange line No.	M.U. No.3B tags 1&2 wired to Box Connexion No.5B tags No -	Make contact of M.U. relay wired to B.C. No.5B tag No:-
1	A1 & A2	A9
2	A3 & A4	A10
3	A5 & A6	A11

Post Office Telecomms. Headquarters TD 1.5.2. Paper W Circulation GENERAL	ISSUES			
		A	New Format	77-6
			E.C.C. Stevens	24. 4. 62

SCHEMES C2 & D2 WIRING



NOTES

1. See Dgm. N1010 for details of metering schemes.
2. Meter No. 150 C is mounted in position provided in M.U. No. 3B.
3. To fit the "Key No. 1101A" (KM) & "Meter No. 21B, Grey" the "Strip Designation No. 36A Complete" should first be removed from the face panel of the swbd. The Key and Meter should then be positioned in the face panel with the Meter to the left of the Key. Screws 6B. A x 3/16" csk. hd. Elephant Grey, should be used to fix both items. The upper fixing screws should pass through the "Strip Designation No. 33" which is to be provided in lieu of the existing Designation Strip. When all connexions have been made and the Key and Meter fitted then with :-  
 (a) Key handle positioned to the left the Meter is connected to Exchange Line No. 1  
 (b) Key handle in the normal position the Meter is connected to Exchange Line No. 2  
 (c) Key handle positioned to the right the Meter is connected to Exchange Line No. 3
4. M.U. connexions shown for 1st. Exchange Line only. For other Exchange Lines see Table 1.
5. For scheme 'D2' the additional wiring shown thus -x-x-x- should be provided.
6. Works Specification S(W) 2014 gives details of Metering Units No. 3B.
7. A strap should be provided between tags D7 and D14.
8. The "Key No. 1101A" (KM) is supplied with flying leads connected to the Key as shown.
9. The wiring between the Box Connexion No. 5B and the swbd. is in accordance with Dgm. N1103 and will be provided when the swbd. is installed.
10. This wiring provided by the manufacturer.