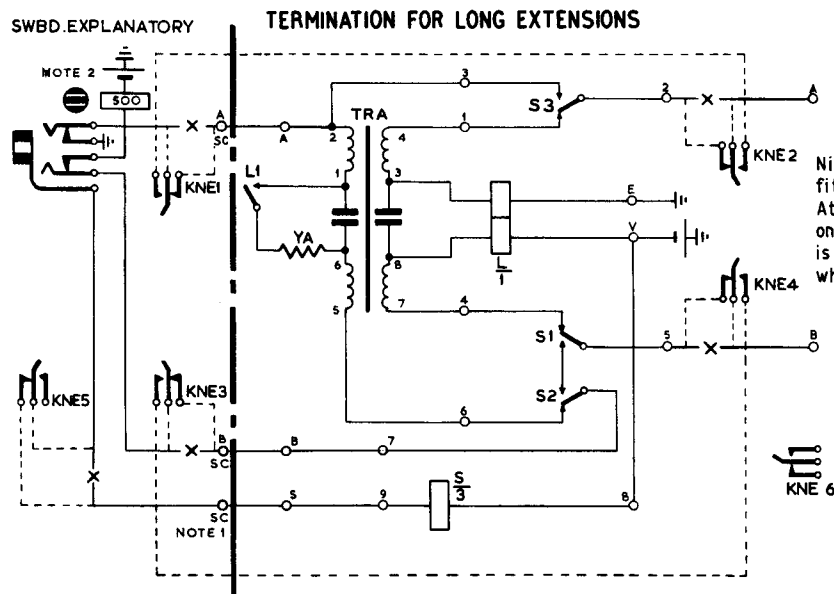
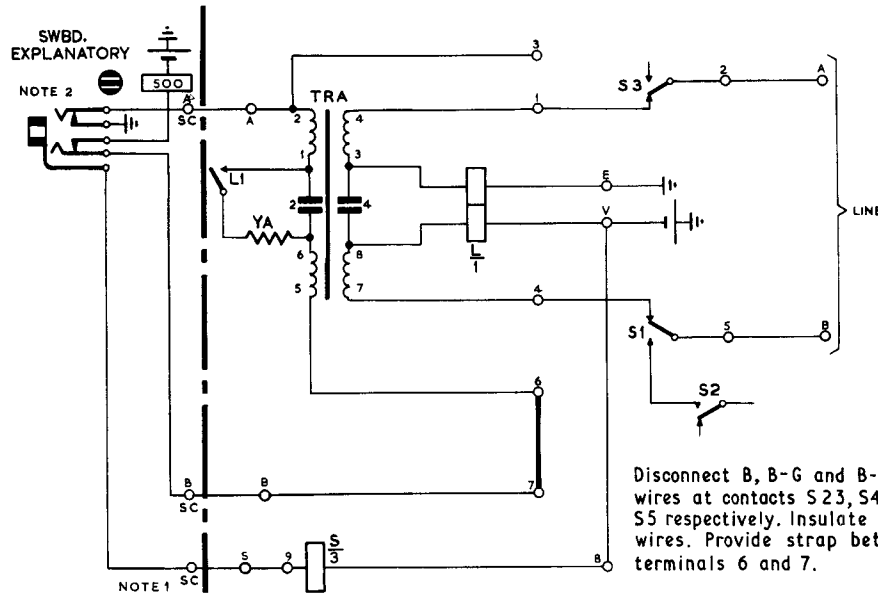


UNIT AUXILIARY APPARATUS No.18 (MARK 5.)
(FOR DETAILS OF MARK 4 AND EARLIER ISSUES SEE NOTES)

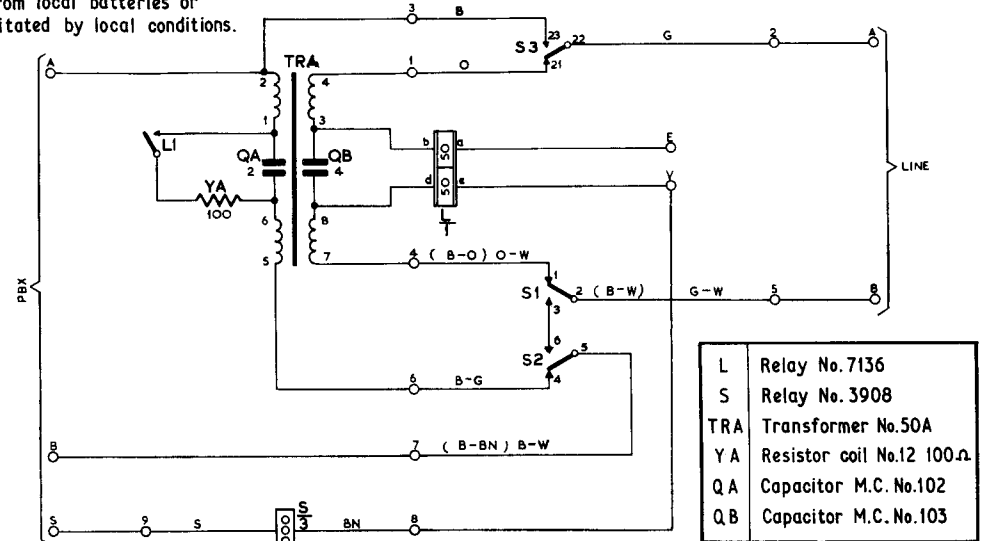


Night service. On swbds. CB 873 fit Key No.73 and omit contact KNE5. At other switchboards Key No.289 is only fitted when P.B.X. power supply is derived from local batteries or when necessitated by local conditions.

TERMINATION OF PRIVATE CIRCUIT EXCEEDING SIGNALLING RESISTANCE OF A P.B.X. EXTENSION



Disconnect B, B-G and B-BN wires at contacts S23, S4 and S5 respectively. Insulate these wires. Provide strap between terminals 6 and 7.



L	Relay No.7136
S	Relay No.3908
TRA	Transformer No.50A
YA	Resistor coil No.12 100Ω
QA	Capacitor M.C.No.102
QB	Capacitor M.C.No.103

NOTES-

- On swbds. CB 873 additional connexion point provided by B.T. 21/2 mounted adjacent to S.C. No. 101 in swbd.. On AT3796 swbds. use spare tags on exch. line S.C.
- On swbds. CB 873 supervisory relay A must not be rendered inoperative when U.A.A.18 is fitted.

MARK 4 AND EARLIER ISSUES

These were supplied with relay No.4509 (Relay L) and relay S was requisitioned separately. Relay No. 4509 must be replaced by a relay No.7136 when a C.B. telephone is used at the extension. For C.B.No.9 installations with indicator 3100 A2 in exchange lines requisition(s) relay No.3908 (1000Ω) and modify all exchange line circuits by connecting a resistor coil No.12.400Ω across each S relay (Relay No.500E) DGM. N980 refers. A minimum power supply of 22V should be provided.

For C.B.No.9 installations with indicator No.22 B requisition(s) relay No.4511.

MARK 5.

These units will be issued with relay(L)No.7136 and relay (S) No.3908.

On private circuits when the line is terminated on a L.B. telephone, relay No.4509 (750 + 750) should be requisitioned and fitted in place of relay No.7136.

For C.B.No.9 installations with indicators No.22B(S) relay No.3908 should be replaced by a relay No.4511.

For C.B.No.9 installations with indicators No.3100 A2 all the exchange line circuits should be modified by connecting a resistor coil No.12 across each relay S (Relay No.500E) DGM N980 refers. A minimum power supply of 22V should be provided.

For signalling resistance limits see E.I. telephones P.B.X's. B3001.

Wire colours shown in brackets were those used on earlier supplies.

P.O.T.D.D. T.D.I.S.2.			
PAPER: W CIRCULATION GENERAL	ISSUES	F	New format 3LR 4-4-68
		E	Note on wire colours added. 31-3-59
		D	Notes amplified 3-10-57
		C	Notes amplified 13-12-54
		B	Redrawn, made 4 panels 17-9-54
		A	New note 4 added 6-2-39
		SI/2	P.A. MARCHANT 4-3-37