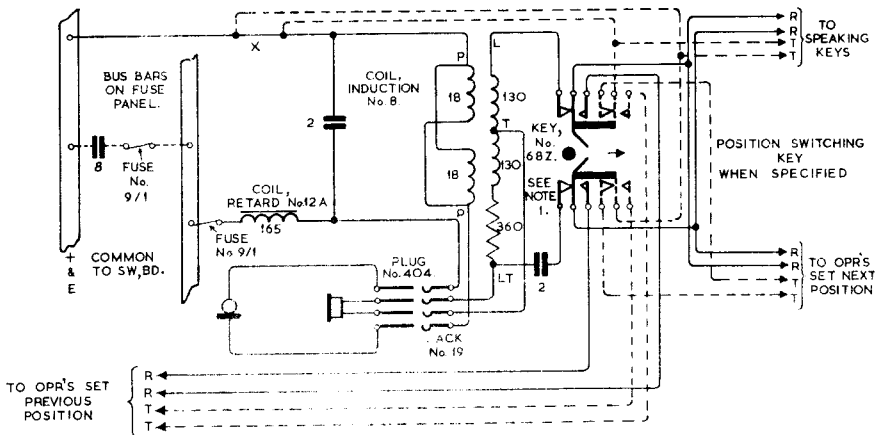


SECTIONS SWITCH B.E. C.B.
 MULTIPLE No. 9
 OPERATOR'S CIRCUIT

N947
 PAGE 1-3
 ISSUE M
 SUPERSEDES N1058
 FOR NEW WORK
 SUPERSEDED BY N947
 PANEL 2 FOR NEW WORK.



NOTE. 1. For new work replace key, No.68 by key, No.73. Remove strap X and add wiring shown dotted.

P.O.T.D.D.
 T.D.I. 5. 2.

PAPER: Y
 CIRCULATION
 GENERAL

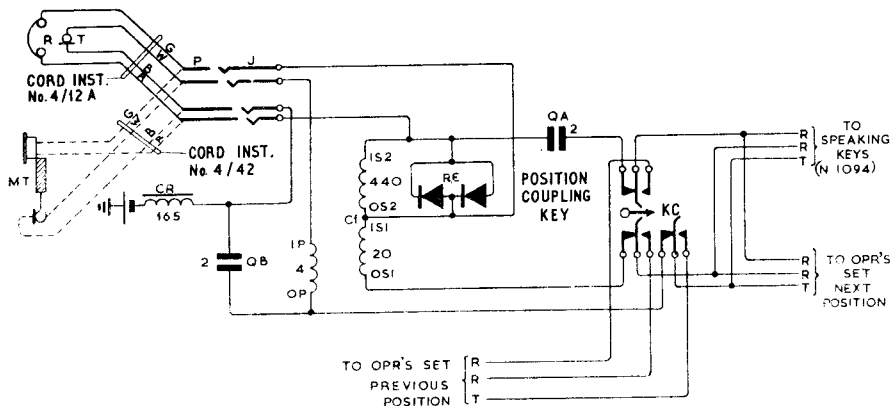
ISSUES

M	New format. Page 2 made yellow. Page 3 added. <i>SLR</i>		4-4-68
L	T wire to key KC amended. Page 2.		29-1-45
	G.F.G. S.Br.		19-10-18

SECTIONS SWITCH B.E. C.B. MULTIPLE No.9
OPERATOR'S CIRCUIT.

FOR WIRING DIAGRAM SEE LD 42.

SUPERSEDED BY N947, PAGE 3
FOR NEW WORK.



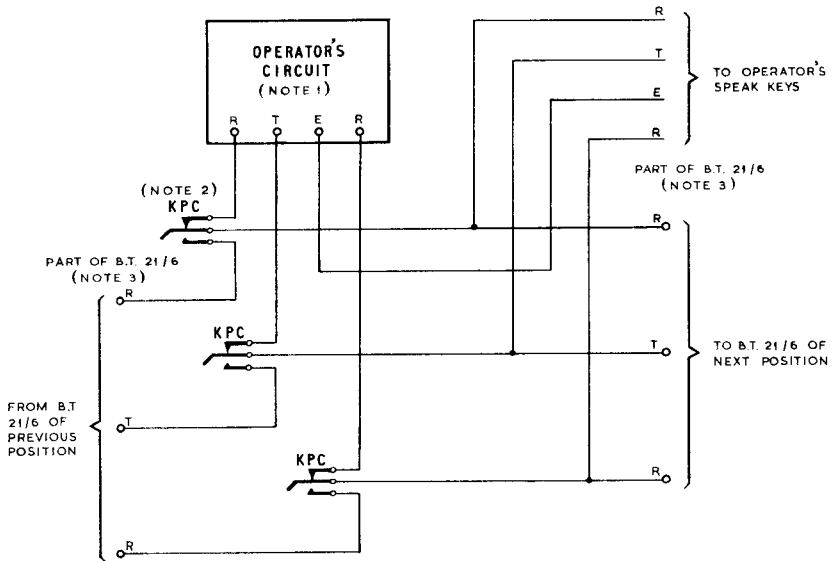
Appts.	R. B. Description
CI	Coil induction No.16.
CR	Coil retardation No.12A.
J	Jack No.19.
KC	Key No.207.
MT	Telephone No.184 (includes cord inst No.4/42a. Brown).
P	Plug No.404.
QA & QB	Condenser MC No.102.
R	Receiver (headgear) No.9 A.
RE	Rectifier element No.2/2A.
T	Transmitter No.23 A.

NOTES.

1. "Transmitter No. 23A with plug No.404" includes 1 cord inst. No. 4/12 A brown.
2. When a microtelephone is required as operating instrument a tele. No.184 & a plug No.404 should be used, and connected as shown dotted. Hook receiver 'N' should be used for suspending the instrument when not in use.
3. The transmitter to be connected to the centre terminals on jack No.19 and plug No.404.

SECTIONS SWITCH B.E. C.B. MULTIPLE No.9
 SWITCHBOARDS AT 3796 AND N1070.
 COUPLING OF OPERATOR'S CIRCUITS.

N 947
 PAGE 3-3
 ISSUE M



NOTES.

1. For diagram of operator's circuit see below:
 AT 3796-N1093 Fig. 9, 9A, or 9B.
 N1070-N1070 Fig. 2, 2A, or 2B.
 B.E. C.B.No.9-N1093, Fig. 9 OR 9A.
2. KPC is a key No.207 to be mounted in a spare key position on the R.H.S. of the key shelf and sign written, COUPLING KEY.
3. Block terminal No.21/6 to be mounted just inside swbd.

P.O.T.D.D. T.D.1.5.2.	ISSUES			
PAPER: W CIRCULATION GENERAL	ISSUES	M	New format. Page 2 made yellow. Page 3 added. <i>FR</i>	4-4-68
		L	'T' wire to key KC amended. Page 2.	29-1-45
			E.R. S Br.	21-4-37