

# PRIVATE BRANCH EXCHANGES, CORDLESS (C.B.S. No.1 AREAS).

N 908 24-9-21

SUPERSEDES N 910  
FOR NEW WORK.

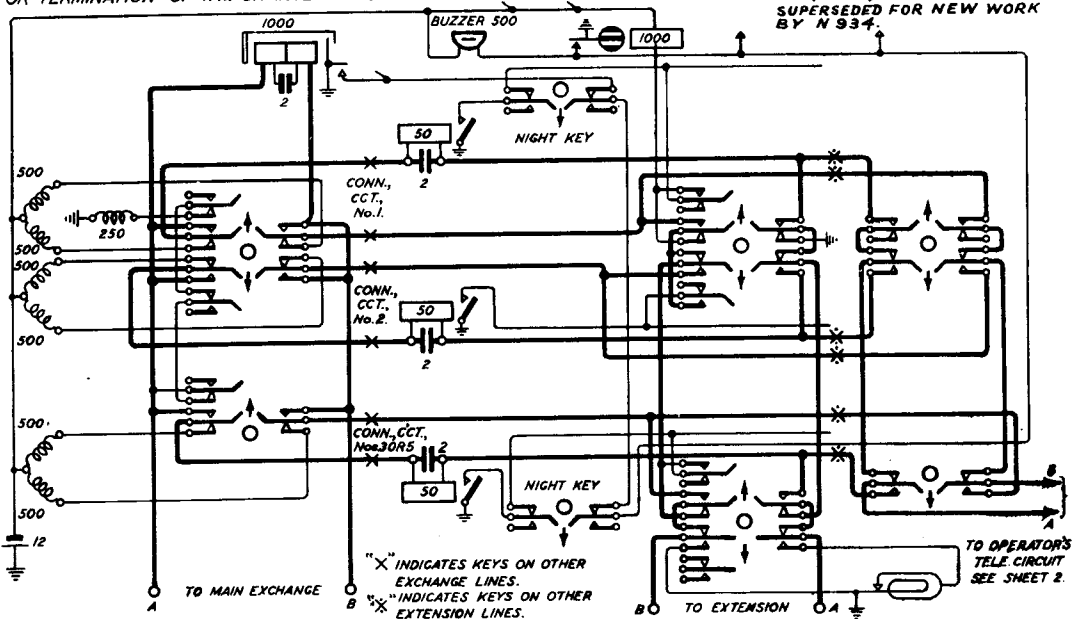
SHEET 1.

SWITCHBOARDS CBS 364.

FOR TERMINATION OF P.W. OR INTER-SW. BD. LINE ON EXTENSION EQUIPMENT SEE CBS 362 (N 906).  
FOR TERMINATION OF P.W. OR INTER-SW. BD. LINE ON EXCHANGE EQUIPMENT SEE CBS 363 (N 907).

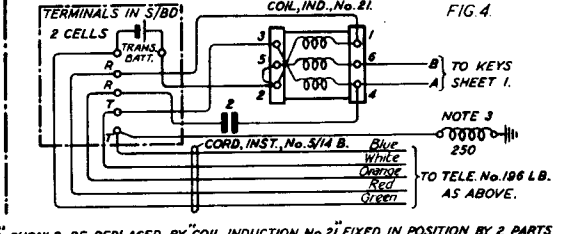
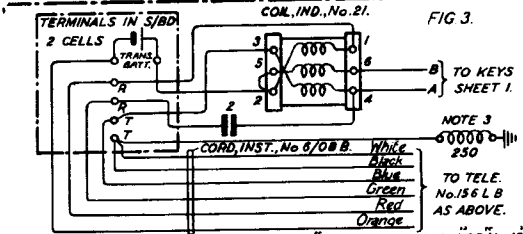
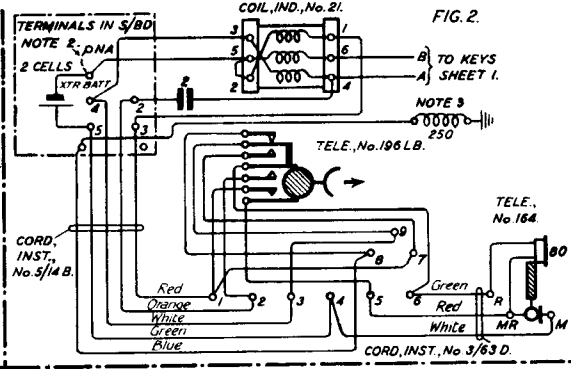
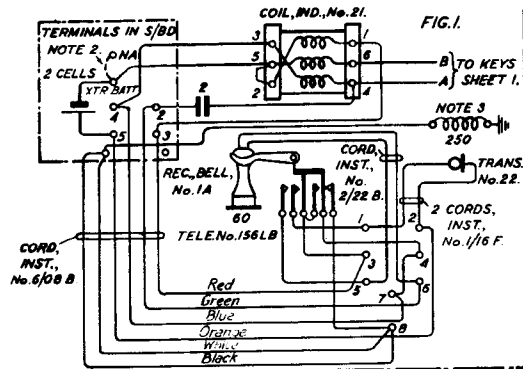
SUPERSEDED FOR NEW WORK  
BY N 934.

MADE YELLOW	25.7.53 J
Supersession note added.	17.4.37 H
C.B.S. No.1 Areas added to title.	9.10.24 G
Coil Ref'dn. No.13C was Coil. Bdg. Plate.	
connection. No.1 deleted. Earth connection 4-2-35 F	
added to Gen. and Indic. Cab.	
Ref'dgm. Oper's Tel. Cols. Sheet 2 added 11-9-33 E	
AMENDMENT	



Y

OPERATOR'S TELEPHONE CIRCUITS.



- NOTES: 1. FOR NEW WORK THE EXISTING "COIL INDUCTION No. 1" OR "No. 12" SHOULD BE REPLACED BY "COIL INDUCTION No. 21" FIXED IN POSITION BY 2 PARTS No. 1/139B AND A TELE. No. 156 LB. FITTED. THE CIRCUIT ARRANGEMENTS ARE INDICATED IN FIGS. 1 & 3.
2. A SEPARATE SPEAKING BATTERY SHOULD BE PROVIDED, AND THE STRAP SHOWN DOTTED DISCONNECTED.
3. ON NEW SWITCHBOARDS NOT ALREADY FITTED WITH A "COIL RETARDATION No. 13C," THE COIL SHOULD BE PROVIDED LOCALLY. ON EXISTING SWITCHBOARDS THE COIL WILL ONLY BE PROVIDED WHERE IT IS DESIRED TO GIVE A CLEAR TO THE EXCHANGE WITHOUT RESTORING THE EXCHANGE LINE KEY TO NORMAL.